

This drawing is the Property of GLEN DIMPLEX AUSTRALASIA LTD. All dimensions are outside/outside unless otherwise stated.

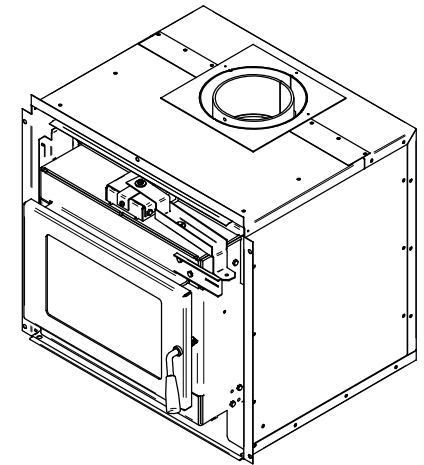
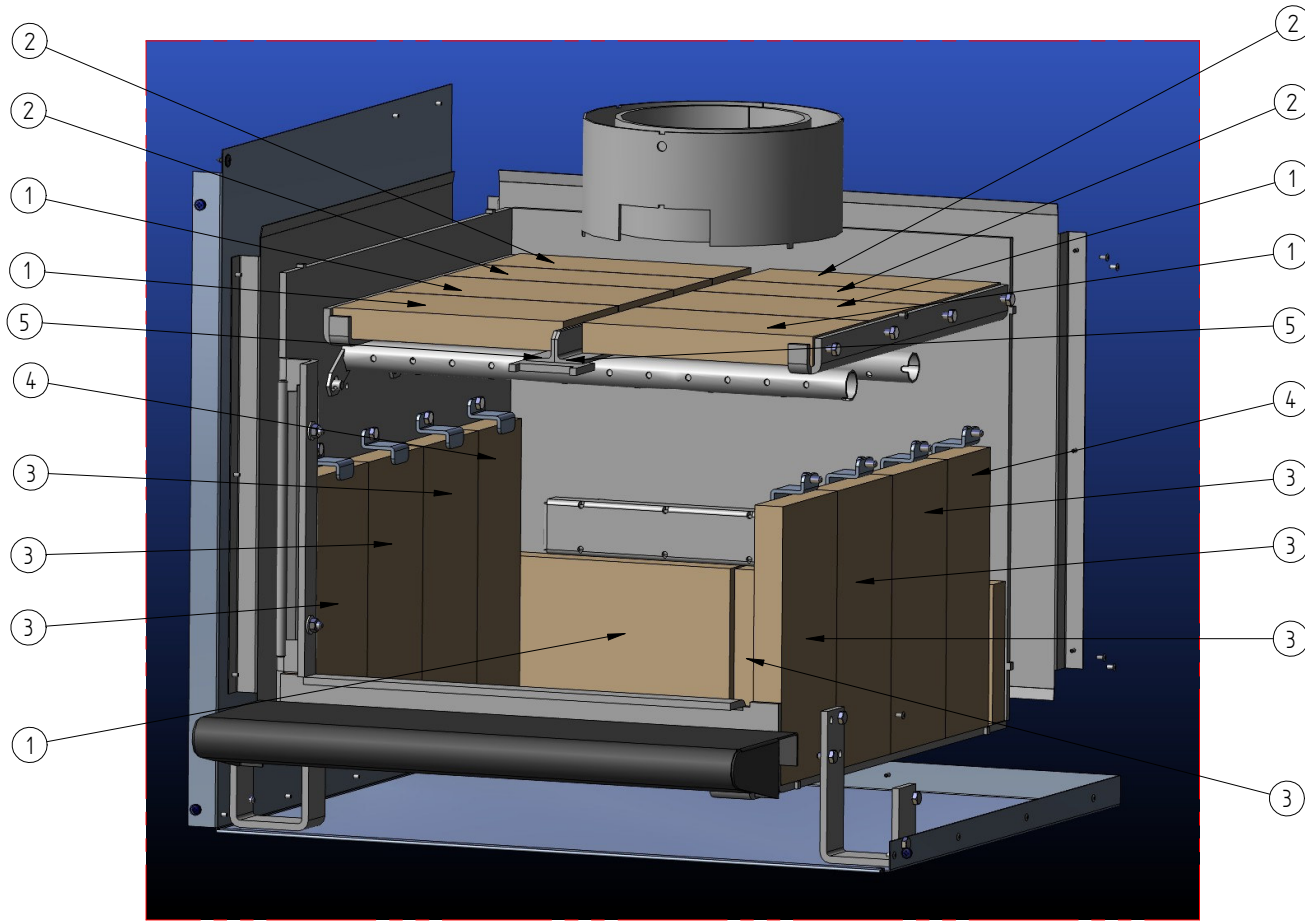
**PART NUMBER : TAWA ASSY**

**REVISION LEVEL :**

TAWA BRICK LAYOUT			
ITEM	PART ID	DESCRIPTION	QUANTITY
1	PYRE00628	BRICK - PYR ECO BRICK - CERAMIC 205 X 115 X 25	5
2	PYRE00629	BRICK - PYR ECO BRICK - CERAMIC 205 X 80 X 25	4
3	PYRE00354	BRICK - PYR ECO BRICK - CERAMIC 230 X 115 X 25	7
4	PYRE00355	BRICK - PYR ECO BRICK - CERAMIC 230 X 90 X 25	2
5	PYREAC478	PYR ECO BAFFLE SUPPORT	2

Amendment	Date	By

**TOLERANCES :**  
 Decimal Places: 0 ± 0.5  
 0.0 ± 0.2  
 Angles Degrees: 0 ± 5°



Weight = 0.000 kg

**GLEN DIMPLEX AUSTRALASIA LTD**  
 38 HARRIS ROAD, EAST TAMAKI, AUCKLAND, NEW ZEALAND  
 Ph 09 274 8265, Fax 09 274 8472, Email : Eng\_Office@glendimplex.co.nz

Customer : MFI	Drawing No :	Drawn : prakashs	Date : 4/30/2007	Chk'd By :
Part Name: TAWA BRICK LAYOUT		Modified : prakashs	Date : 8/5/2008	
		Material :		Finish :