

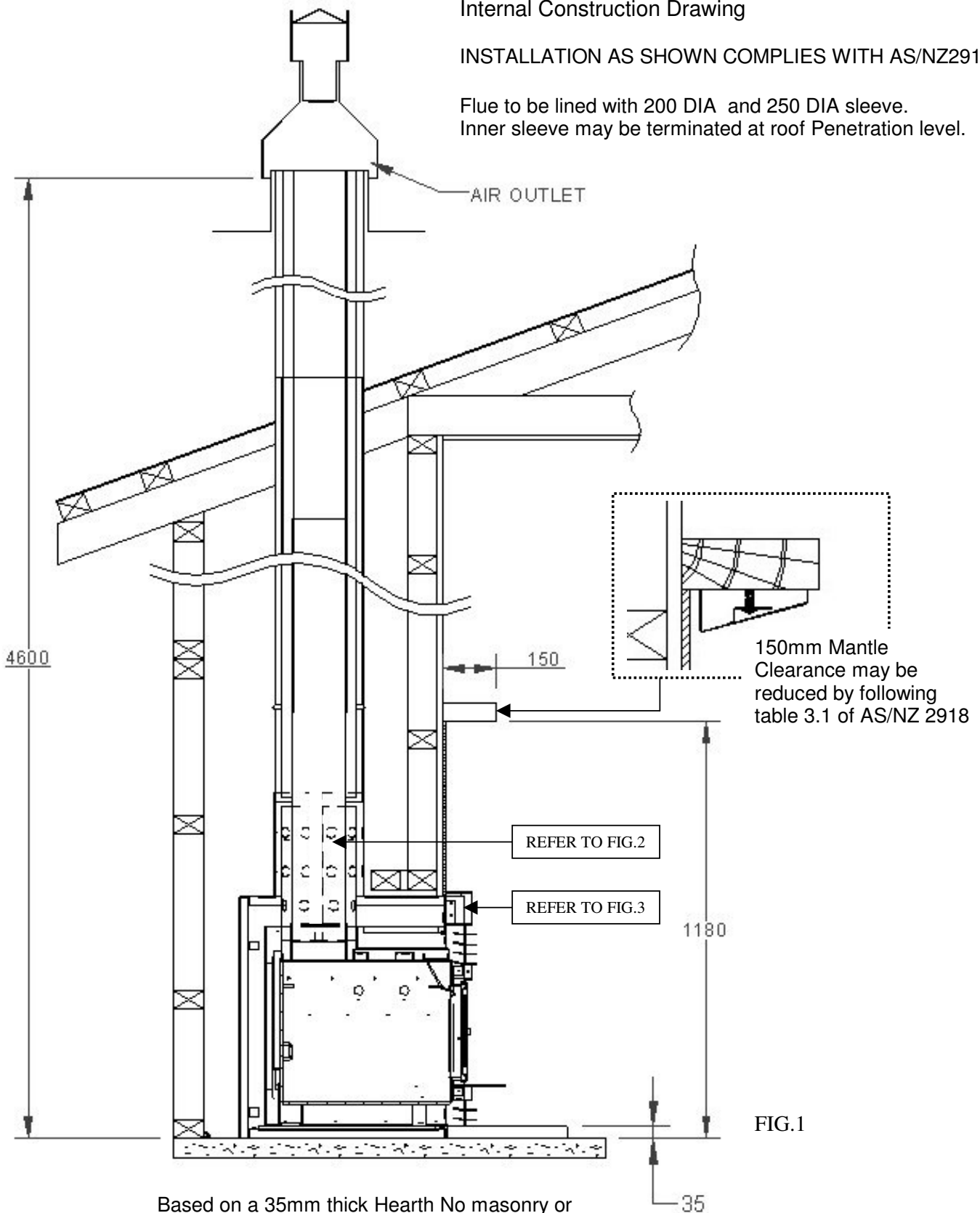
# CLEAN AIR 65 FIRE PLACE INSERT

## SPECIFICATION SHEET

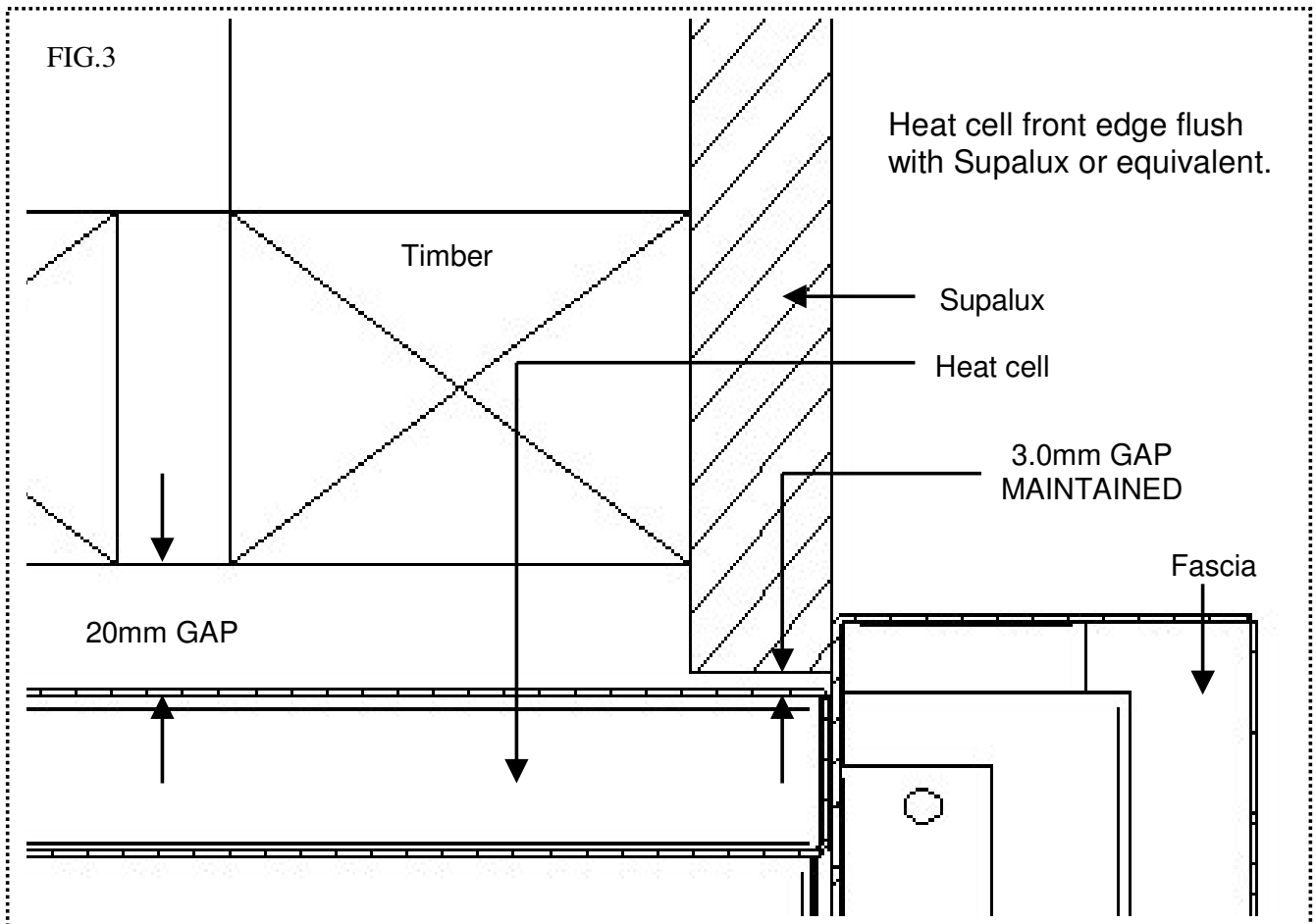
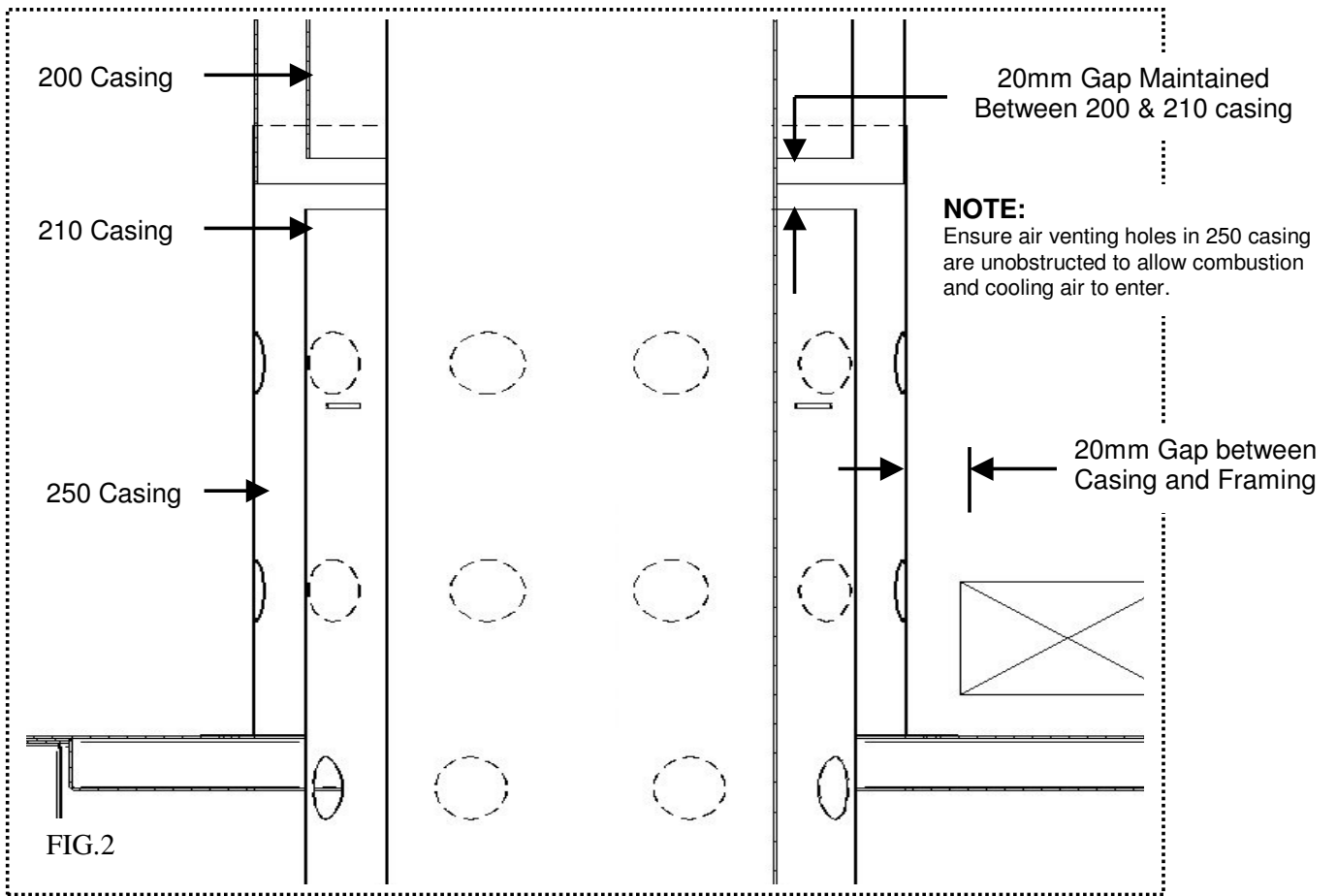
Internal Construction Drawing

INSTALLATION AS SHOWN COMPLIES WITH AS/NZ2918

Flue to be lined with 200 DIA and 250 DIA sleeve.  
Inner sleeve may be terminated at roof Penetration level.



Based on a 35mm thick Hearth No masonry or insulating base required under heatcell.

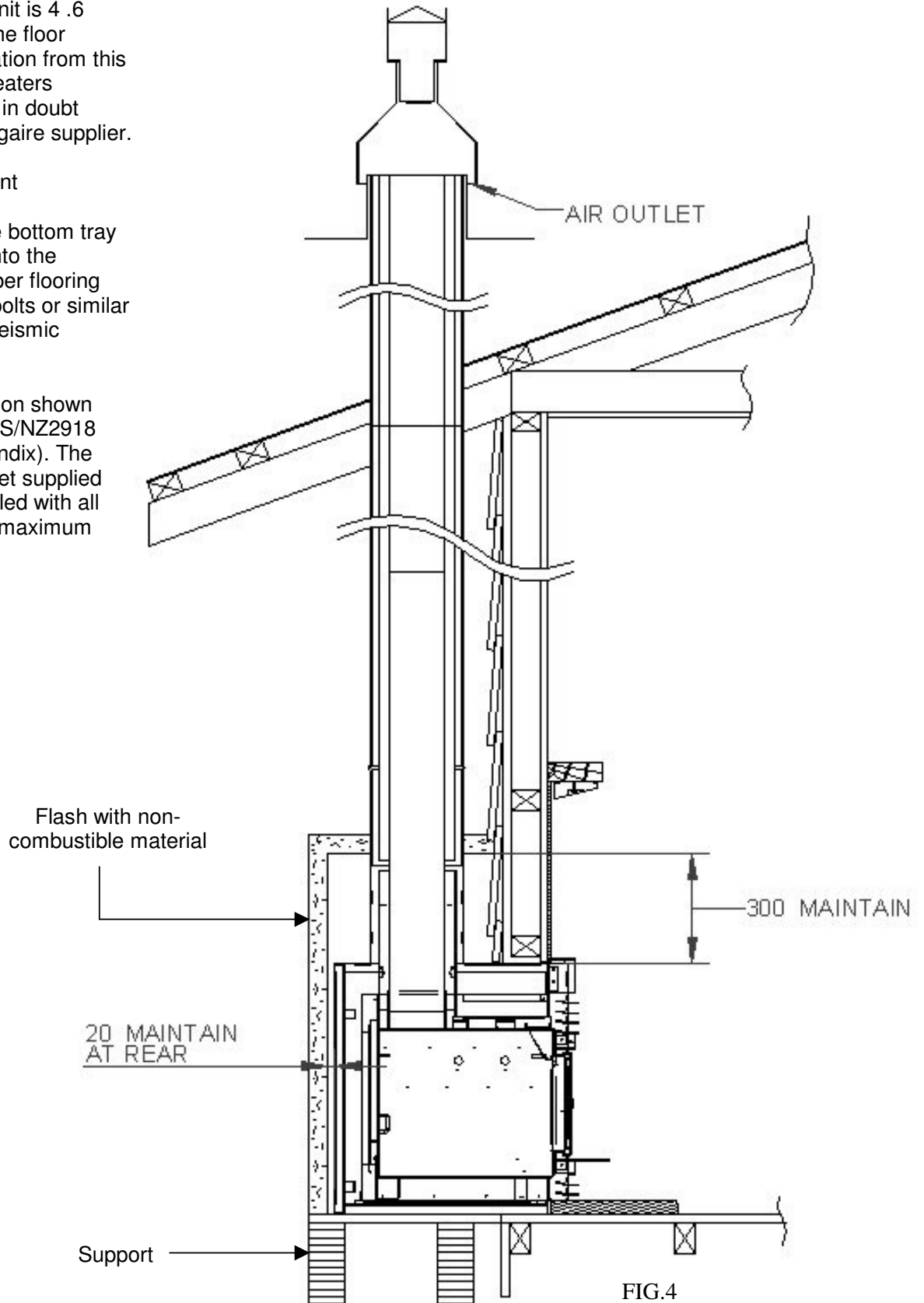


Note:  
Flue Kits (All Models)  
Please follow the flue  
manufacturers installation  
instructions. The tested flue  
height for this unit is 4 .6  
metres above the floor  
protector. Deviation from this  
may alter the heaters  
performance. If in doubt  
contact your Logaire supplier.

Seismic Restraint

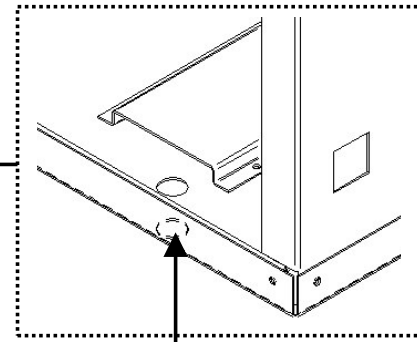
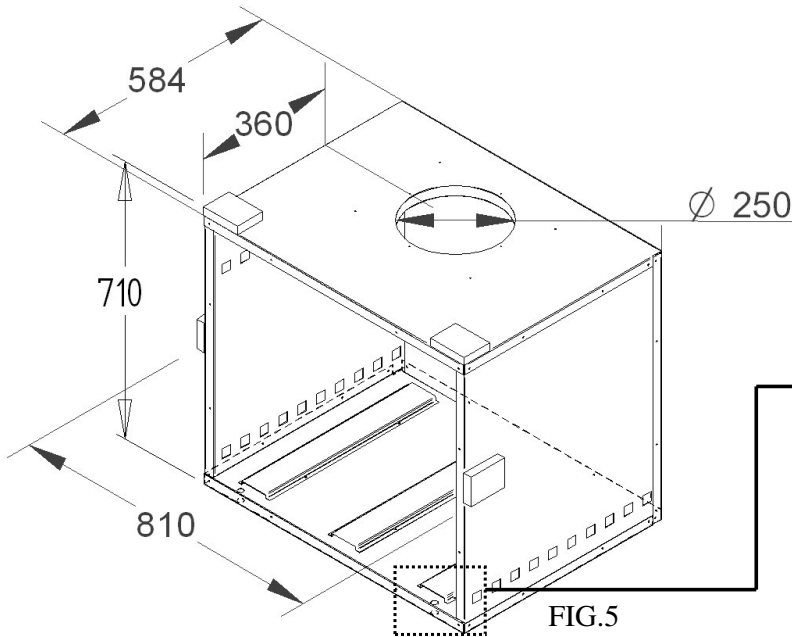
Drill through the bottom tray  
of the cabinet into the  
masonry of timber flooring  
and fit two M6 bolts or similar  
diameter as a seismic  
restraint.

Typical installation shown  
complies with AS/NZ2918  
(Including appendix). The  
insulating blanket supplied  
should be installed with all  
units to ensure maximum  
performance.



Note:  
 Heatcell Cabinet Contents  
 1 x Heatcell Case  
 1 x Inner Liner 210 x 380 long Perforated  
 1 x 250 Dia Perforated outer Liner

Warning:  
 Logaire flue components supplied must be used due to special cooling vents



Seismic restraint to be achieved by two 6mm wood screws into the front edge of the zero clearance enclosure into the flooring.

- A- Floor protection front - 300mm  
(From door opening)
- B- Floor protection sides - 200mm  
(From door opening)
- C- Unit to top trim - 300mm
- D- Unit to side wall - 350mm
- E- Unit to side trim - 220mm

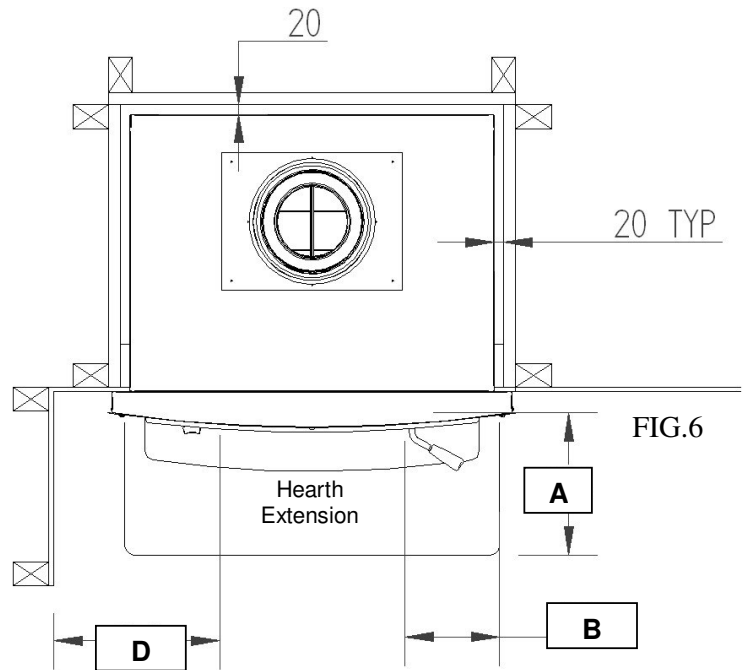


FIG.6

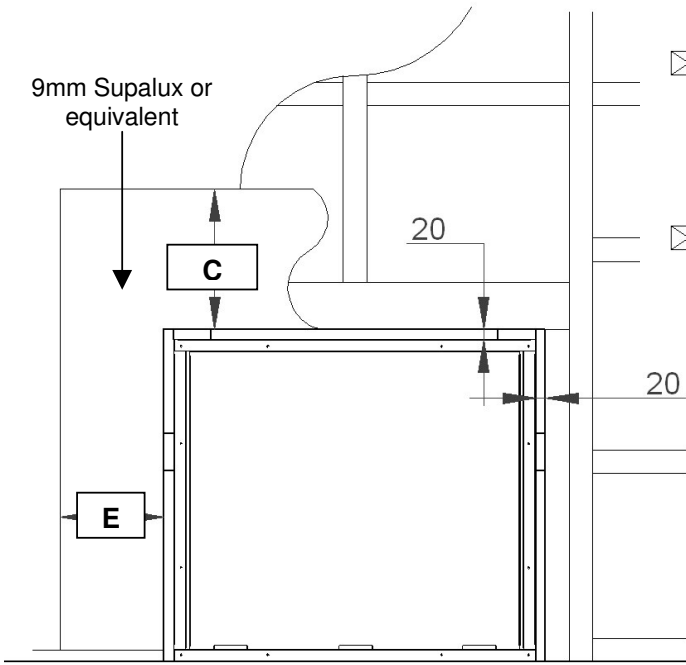


FIG.7

Clearance from Heatcell to all framing and combustibles = Minimum 20mm