

# Manufacturer Installation Instructions for the Logaire Atlanta & Pyrros Clean Air Insert Fires

## General Information

All Logaire wood fires must be installed by a suitably qualified installation engineer, preferably one that is NZHHA approved.

In accordance with AS/NZS2918:2001, the Atlanta, Pyrros Clean Air & Pyrros Rural insert fire installations require a minimum flue height of 4.1 meters. The standard Logaire insert flue kit is 4.2 meters in length and thus complies with the national standard.

The inner 150mm flue pipe must have an outer casing from the top of the chimney to the flashing cone.

## Pre Installation Survey

The **fireplace cavity** must be swept. It must then be checked to ensure that it is structurally sound and free from any breakages. If there is any doubt over the soundness of the cavity, a suitably qualified engineer should be contacted to undertake the remedial work necessary.

The internal dimensions of the cavity must be consistent with those outlined in the installation instructions i.e. (600 wide, 600 high and 495 deep) so as to incorporate the firebox with ease. It is sometimes necessary to remove the fire bricks from the side and rear of the cavity to achieve the desired dimensions.

Ensure that the base of the cavity is level, as if it is not, the fire may not look right when installed. It may be necessary to use mortar to achieve the desired level surface.

If a mantle shelf is present there are clearances to take into consideration based on the distance from the fire fascia to the mantle shelf. (Please see the clearances outlined in the specification sheet). If the minimum clearance cannot be achieved, a heat shield can be fitted to the under side of the mantle shelf in accordance with AS/NZS 2918:2001.

## Installation Procedure

Remove the insert firebox from the wooden pallet by disconnecting the two securing bolts located in the base of the firebox. Fit the two insulation blankets to the outer cabinet (see Diagram 1) and thereafter slide the firebox on to the prepared cavity floor.

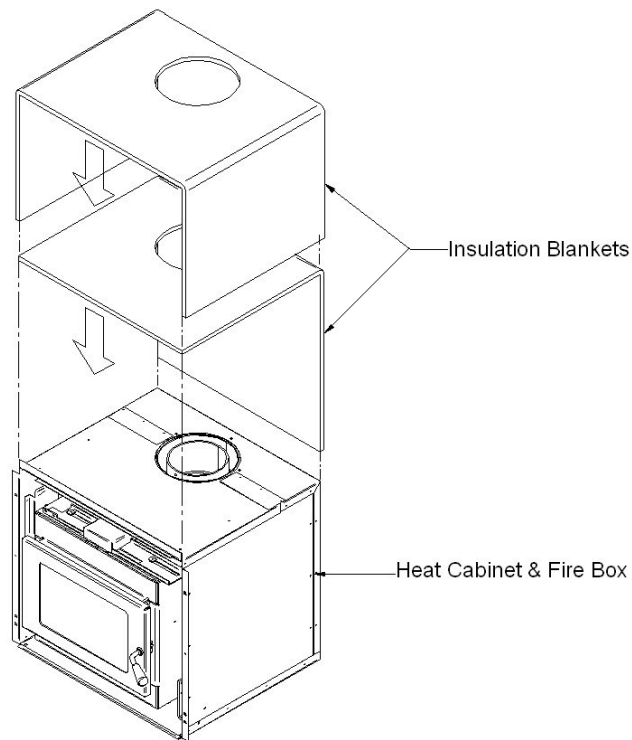
Fit the four "U" clips to the four 10mm holes located on the front edge of the cabinet

Secure the fascia to the cabinet using the four ¾" (8 gauge) screws supplied, making sure that the fascia is central and level.

Push the firebox carefully into the cavity applying pressure to the firebox (**not the fascia**) until the rear surface of the fascia is in contact with the surround.

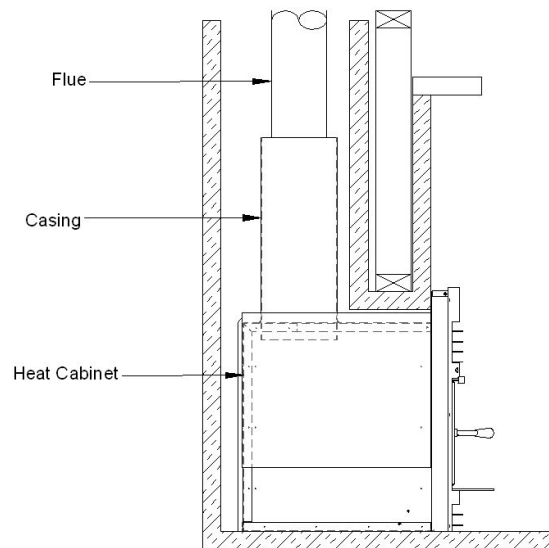
Remove the fascia and secure the firebox to the floor with the use of masonry anchors through the holes located in the cabinet base. This will comply with the seismic restraint requirement outlined in AS/NZS2918:2001.

Place the two insulation blankets over the firebox as shown in **Diagram 1** below.



*Diagram 1. Procedure for fitting the two insulation blankets.*

Next remove the front half of the cabinet (looking down at the top of the cabinet) which gives access to the flue stub. Install the 205mm diameter x 500mm long casing as per **Diagram 2**.



*Diagram 2. Location of casing.*

The appliance flue spigot is pre drilled for securing the base of the flue pipe to the fire. All flue joints must be sealed with maniseal or similar sealing compound and riveted accordingly.

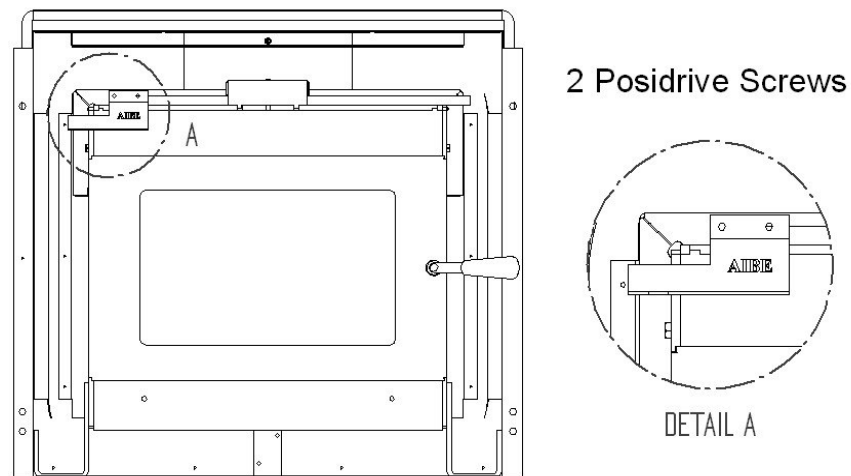
In some instances the site will dictate that a 45-degree off set bend will be required so as to align with the flue stub. The flue pipe must be secured to the stub with a screw or bolt fixing via the securing hole provided. The joint thereafter must be adequately sealed with maniseal (or similar) so as to avoid air ingress.

Refit the front half of the cabinet ensuring that the rear edge of the cabinet slides into the slot provided.

Any voids between the external surface of the cabinet and the masonry cavity must be filled with high insulation fibreglass or similar material.

#### *Atlanta Only*

Fit the air slide extension to the air slide using the two posidrive set screws supplied in the bolt pack.



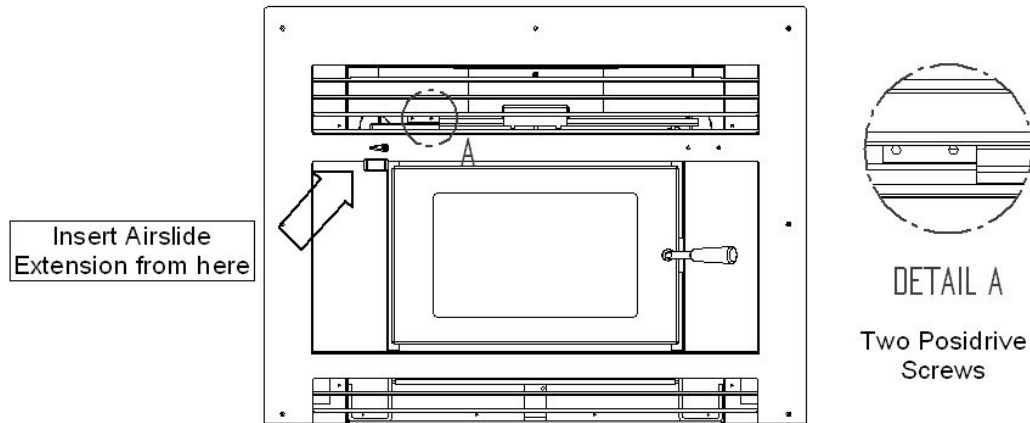
*Diagram 3. Air slide extension fitting for the Atlanta.*

Refit the fascia to the cabinet using the 4 screws provided with the air slide in the fully open position. There are two additional 6mm bolts, which are fitted internally within the front of the firebox, below the door, which secures the fascia bottom rail.

Push the air control knob on to the exposed air control lever and ensure that it moves freely from side to side (*Atlanta only*)

### *Pyrros Only*

The air control knob is pre fitted to the air slide extension. The extension is inserted into the cavity to the left hand side of the door. Thereafter it is secured to the air slide via the two posidrive screws supplied in the bolt pack.



*See Diagram 4. Air Slide Extension Fitting for the Pyrros.*

Fit the fire door on to the lower hinge pin by lifting the door up on to the lower hinge pin then having fully lifted the door drop it gently down on to the upper pin. The door will then sit down at the correct position and thus provide an adequate seal.

Screw the door handle knob on to the shaft by screwing in to place. The knob can be located in the bolt fixing kit.

The door is preset during the factory assembly process. However after a period of sustained use it may require slight adjustment so as to provide an adequate seal.

For adjustment purposes the stop pin (located next to the locking roller mechanism on the inner side of the door) must be removed and thereafter rotate the door spindle shaft one turn anticlockwise to achieve an adequate tension seal on the fire door. Once the desired seal has been achieved the pin must be refitted so as to avoid the door shaft rotating fully.

The Logaire insert firebox has been fitted with a fire baffle and air bars. To achieve maximum efficiency it is important to check that the air bars, fire bricks and brick baffle arrangement are located firmly in place.

### **Lighting The Fire**

Your Logaire fire is now ready for use although it is advisable to wait approximately 24 hours so as to ensure that the relevant flue seals have dried out adequately.

Initially the operational performance will be reduced until the firebricks have dried out entirely and an adequate bed of ash has formed in the base of the firebox.

For further information on installation of your Logaire fire, call  
**Metal Fab Industries (2004) Ltd** on **09-274 8265**.