

### Floor Protector Construction (Hearth)

For minimum Floor protector dimensions refer to following data. The floor protector must extend at least 300mm beyond the door opening of the heater and 200mm to each side of the door opening. (Floor protector specification (AS/NZS2918: 2001) minimum floor protector only eg. Ceramic tile glued to a heat sensitive floor.) A provision has been made at the base of the rear legs for seismic restraint by bolting through the two holes through the hearth and floor.

### Clearance Requirements

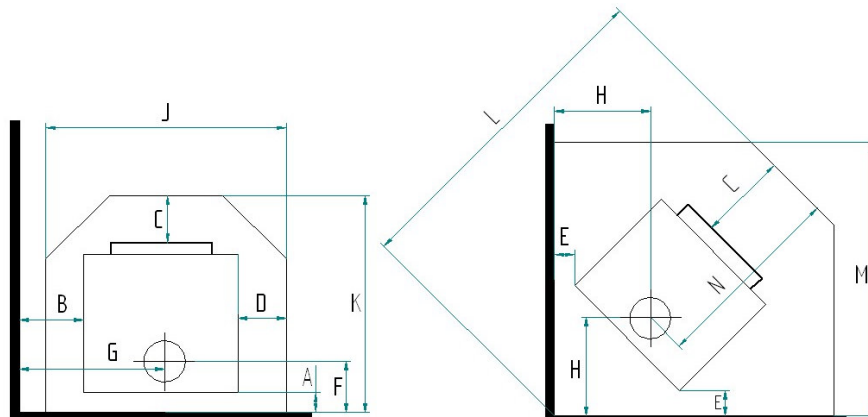
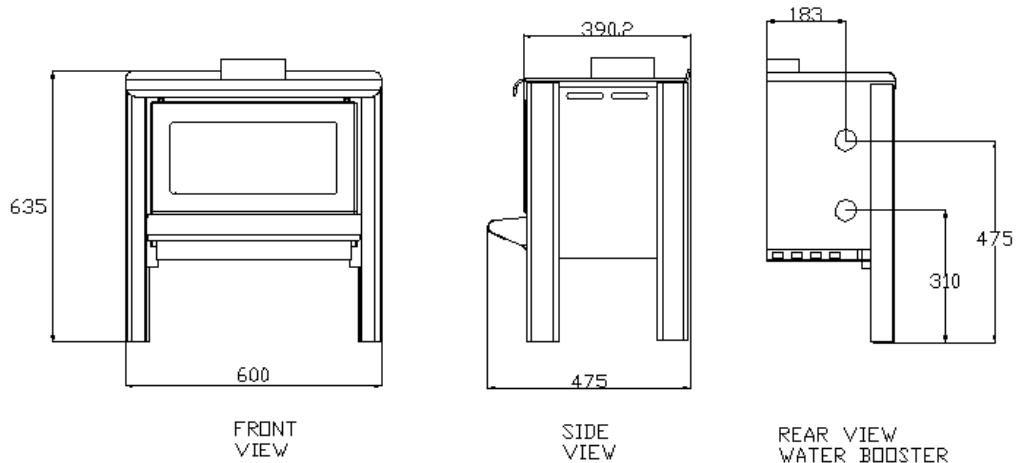
The Minos Ash Hearth has been tested to the Australian/New Zealand Standard AS/NZS 2918:2001 and all installations must be in accordance with the minimum clearances to combustibles indicated in these instructions.

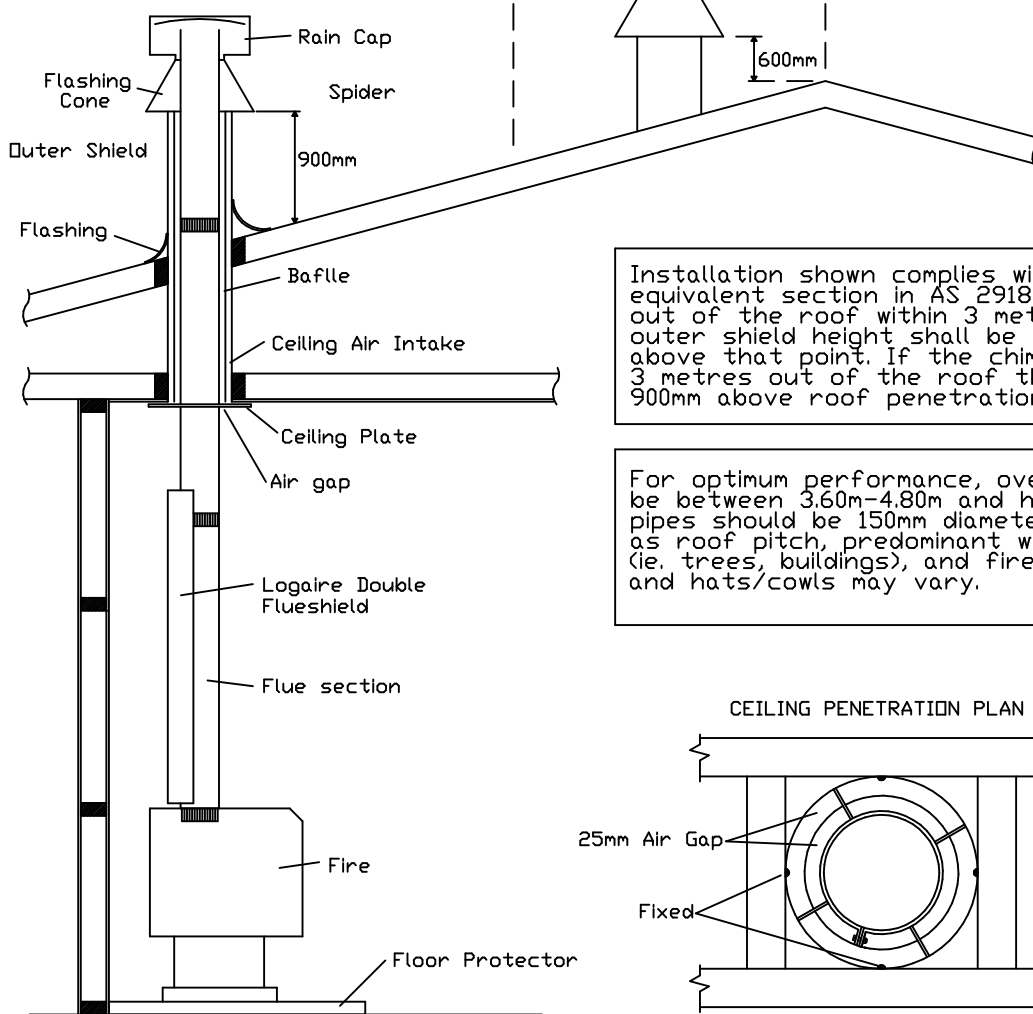
The minimum clearances to combustibles may be reduced if the combustible walls are shielded with an approved non-combustible material. Details of suitable shielding materials and appropriate clearance reduction factors are present in Section 3 of AS/NZS 2918:2001.

Minimum clearances to combustibles in millimetres AS/NZS 2918:2001

NEW ZEALAND	A	B	C	D	E	F	G	H	J	K	L	M	N
Without flue shield	275	195	217	111	50	436	495	376	822	967	1063	889	531
* With Logaire Double flue shield	100	195	217	111	50	261	495	376	822	800	1063	889	531

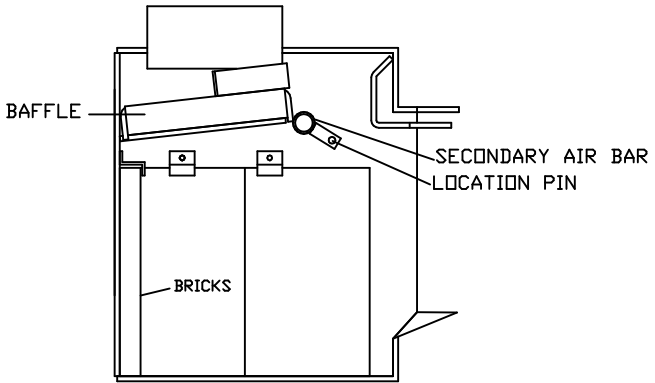
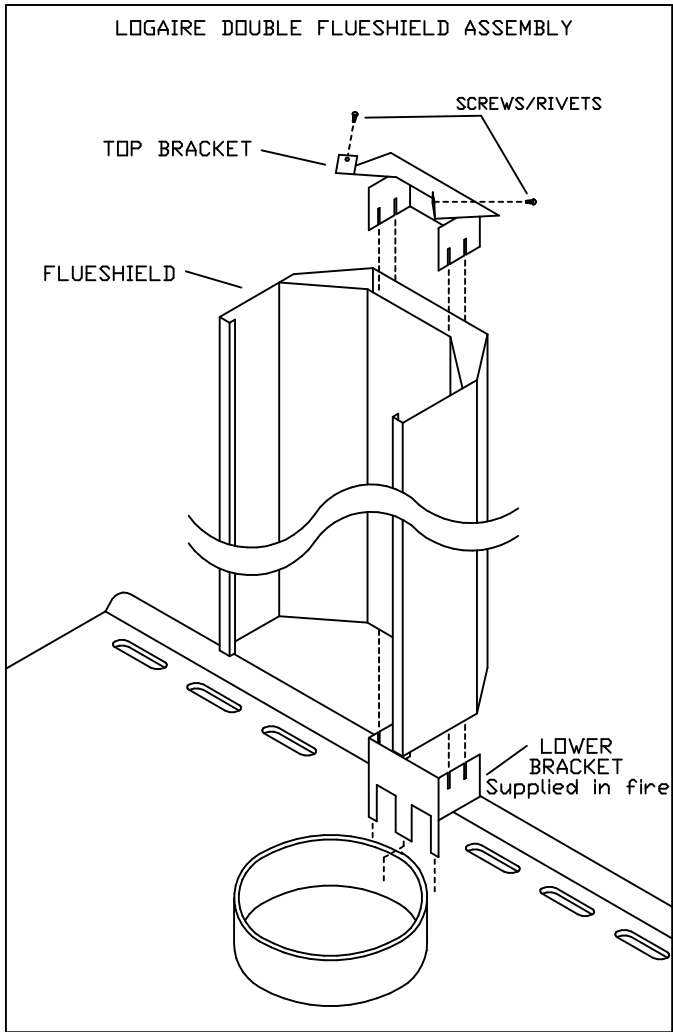
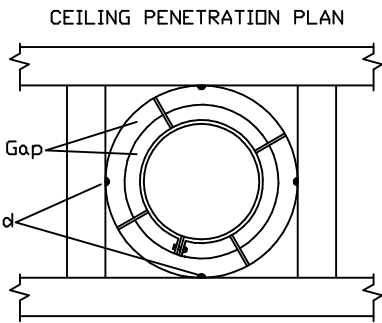
**\* Note : Only a vented Logaire double flue shield has been approved for use with the Minos. All specifications are subject to change or variation without notification.**





Installation shown complies with NZS 7421, or the equivalent section in AS 2918. If a chimney exits out of the roof within 3 metres of the ridge, the outer shield height shall be no less than 600mm above that point. If the chimney exits further than 3 metres out of the roof then it should project 900mm above roof penetration.

For optimum performance, overall flue length should be between 3.60m-4.80m and have no bends. Flue pipes should be 150mm diameter. Due to factors such as roof pitch, predominant winds, nearby obstructions (ie. trees, buildings), and fire placement, flue lengths and hats/cowls may vary.



**ATTENTION**

The Air Bar may need to be fitted into position. Please ensure the tab on the Air Bar is located to the Location pin in the left hand side of the firebox. Insert Split Pin and pry end of pin apart, To remove the Air Bar, simply remove the Split pin and remove the Air Bar.