

MADENA WALL FIRE – Aeration Adjustment

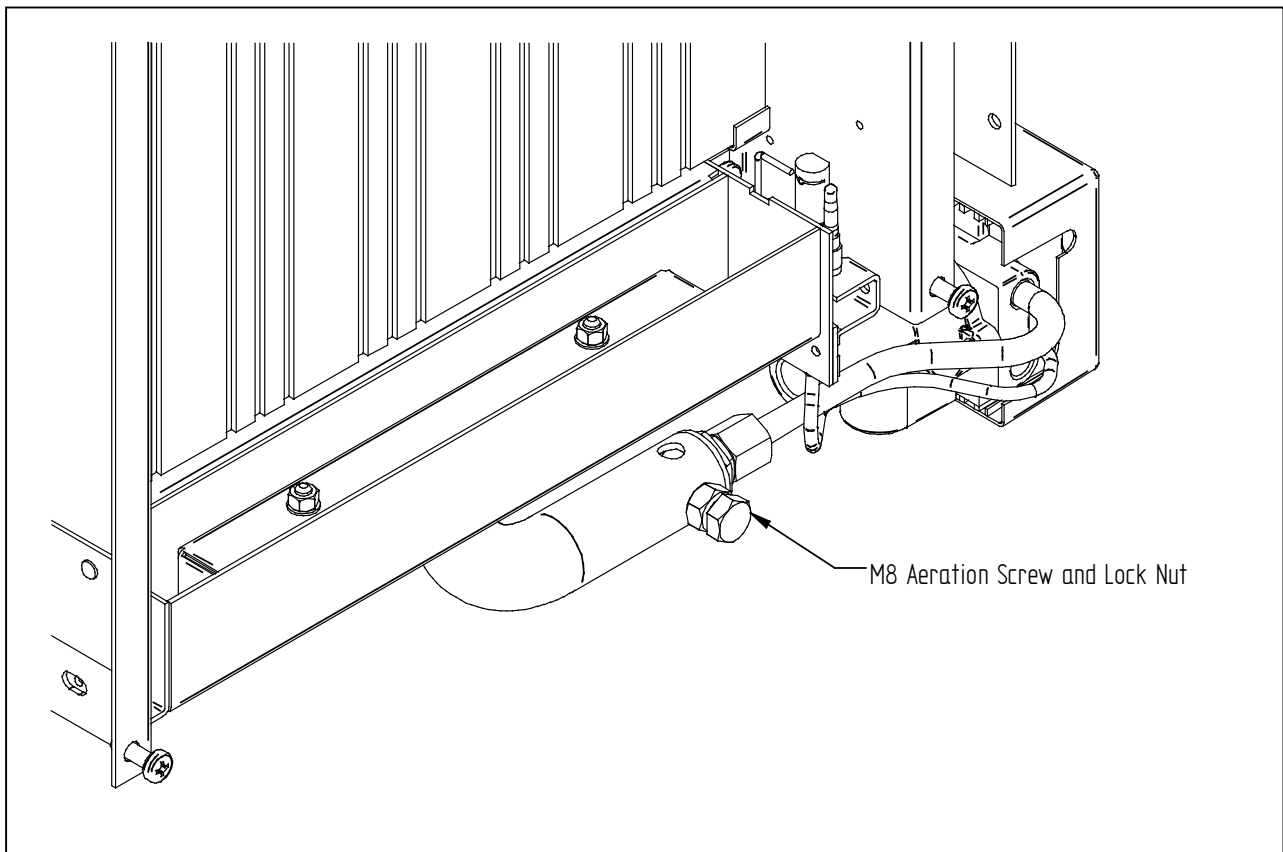
To obtain a Flame with some visible colour the air mix is adjusted by closing off the front hole in the tube with a M8 Setscrew and Nut.

The screw is required for pure PROPANE or LPG with a higher percentage of Propane.

As New Zealand LPG mix can be anything from 90/10 (commercial propane) 80/20, 70/30 or 60/40 which is the automotive mix. These figures are in the liquid state. In the vapour state this can produce anything from 90% propane to 80% butane. Hence the use of the screw to control the air is subject to local supply and will vary.

Do not use the screw if the resultant flame is sooty as this will build up inside the fire and on the walls and ceilings.

Screw the locknut onto the setscrew and screw the assembly into the side of the tube enough to hold but not restrict the bore. Lock in position with the locknut.



Specification Sheet : EWF00735 28/10/2005