

YUKON OIL BURNER STOVE

Specifications

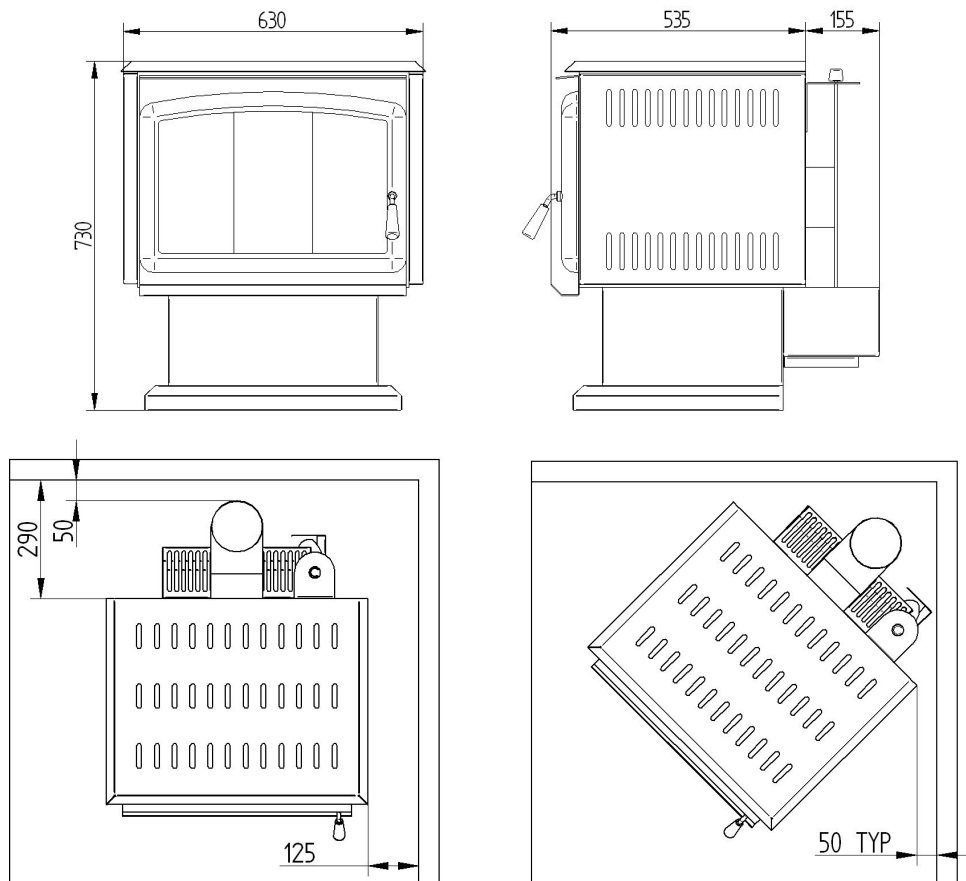
Floor Protection

You do not need a floor protector if your stove sits on a non-combustible surface **NB** (it is not necessary to install a floor protector if your stove will be placed on a wooden floor).

Clearance required

The Yukon fire has been tested to AS 1690: 1975 and all installation must be in accordance with the minimum clearance to combustibles indicated in these instructions. The minimum clearances to combustible walls may be reduced if the combustibles walls are shielded with an approved non-combustible material. Details of suitable materials appropriate clearance reduction factors are present in section 6 of AS 1691 – 1985 standard.

Minimum clearance to combustibles in millimetres AS 1690; 1975
NEW ZEALAND
Normal orientation Without flue shield fitted [clearance measured from] Side 125mm – Rear 50 mm
Corner orientation Without flue shield fitted [clearance measured from] Sides 50mm

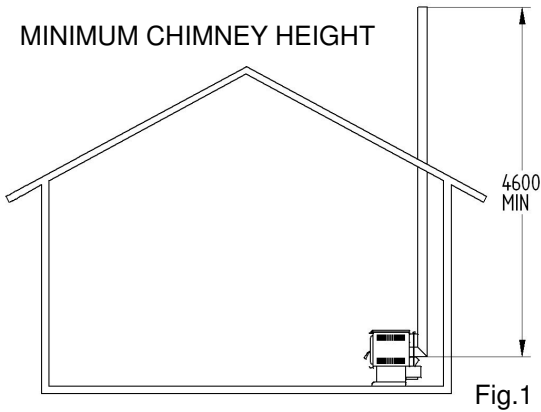


Note:

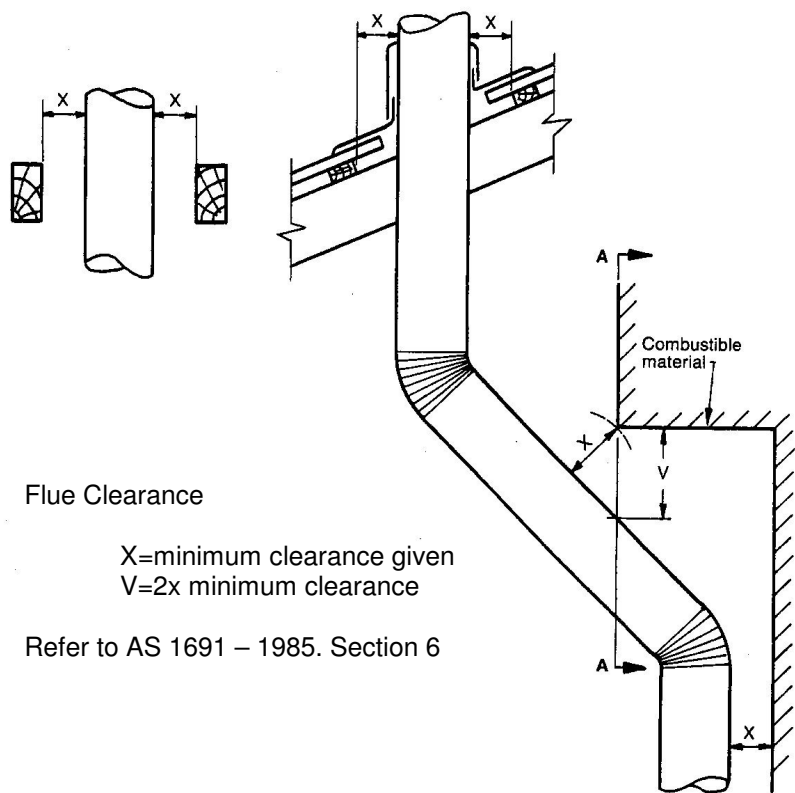
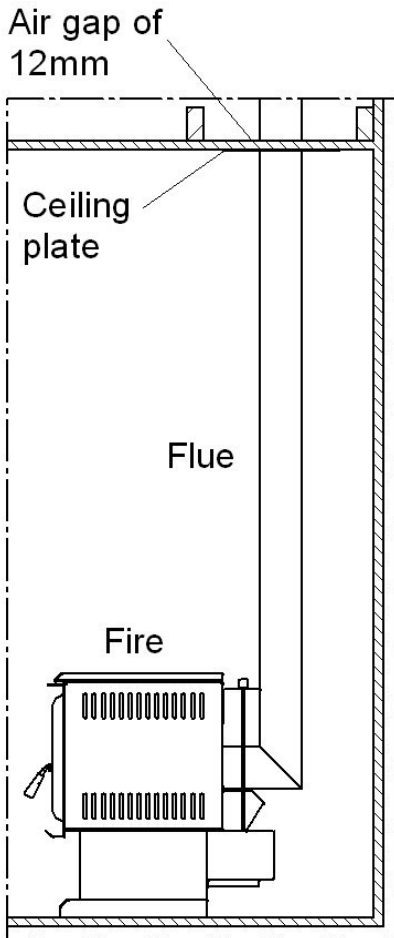
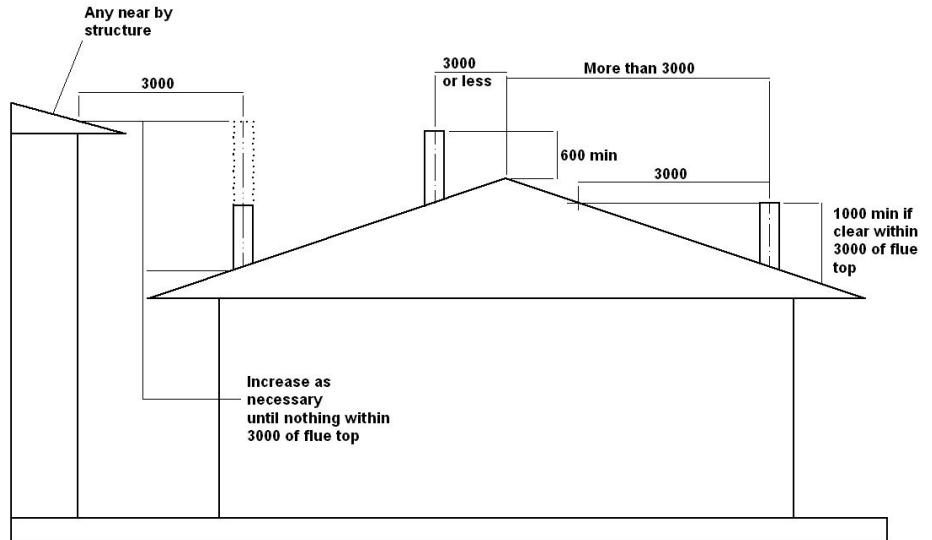
The wall orientation for the rear measurement of 50 mm is measured from the rear of the internal vertical flue of the wall. The measurement from the rear of the heater is 290 mm.

Installation shown complies with AS 1691 – 1985, if a chimney exits out of a roof within 3 metres of the ridge, the chimney height shall be no less than 600mm above the point. Where a chimney exits more than 3 metres out of the ridge then it should project 900mm above the roof penetration.

Connecting the stove to the chimney for, direct horizontal connection, ceiling connection and vertical connection: refer to Owners Manual page 4.



For optimum performance, overall flue length should be 4.6 metres refer to 'Fig.1'



Installation of flues must comply with AS/NZS 2918: 2004 International Standard.

Testing of appliance must be in accordance with AS 1691 – 1985 section 7.1 and commissioning (handover) in accordance with section 7.2