



LOGAIRE®

specifications

Atlanta

Inbuilt

Hearth Construction

The minimum dimension required is 950mm wide and the hearth must extend 300 mm beyond the door of the heater with a 50mm height insulated hearth. For other forward hearth distances refer to the graph below.

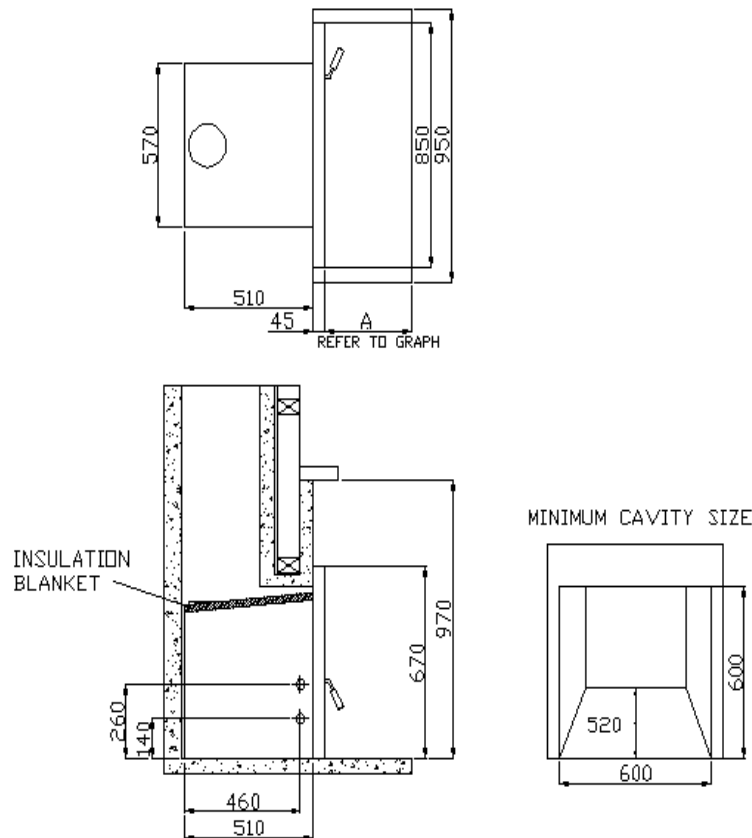
The hearth must be constructed of masonry of at least 50mm thickness or any suitable fire retardant board, ie. Micore 160*, Woodtex* or Rockboard*, covered by tiles, slate, marble or any alternative thermal insulation of equivalent k-value. To comply with AS/NZS 2918:2001 a provision has been made at the front of the cabinet to bolt the fire down through the floor for seismic restraint.

- Refer to manufacturer's instructions.

Clearance Requirements

The Atlanta Inbuilt complies with the New Zealand Standard AS/NZS 2918:2001 and all installations must be in accordance with the minimum clearances to combustibles indicated in these instructions.

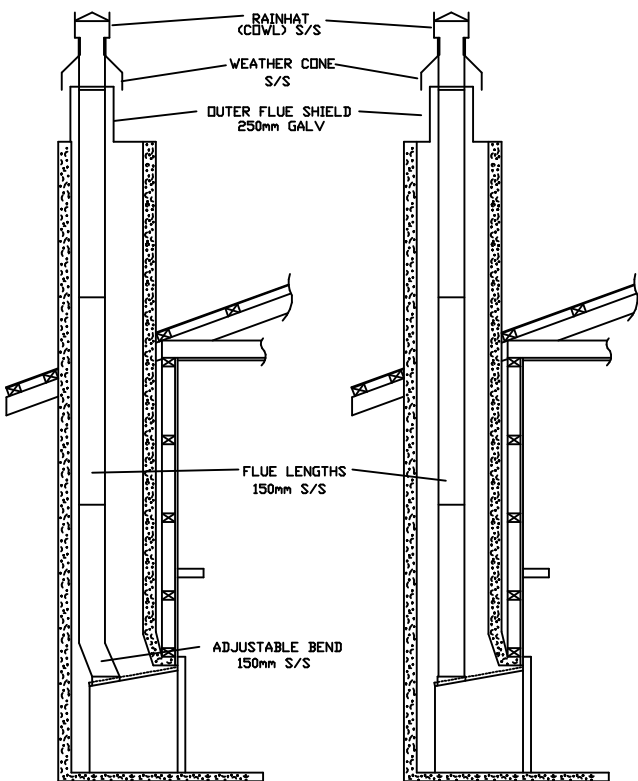
The minimum clearances to combustibles may be reduced if the combustible walls are shielded with an approved non-combustible material. Details of suitable shielding materials and appropriate clearance reduction factors are present in Section 3 of AS/NZS 2918:2001.



HEARTH PROJECTIONS

Hearth Height (mm)	0	30	50	110	125
Required Hearth Projection	350	300	300	300	300

Note: The hearth projection is from the glass.

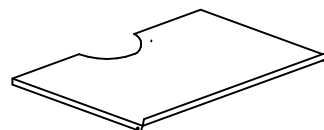


ASSEMBLY OF FASCIA TO FIREBOX

1. Remove the door from the firebox by lifting the door up until the door comes free of the hinge, then twist the top of the door outwards. Then lower the door until it comes free of the hinge at the bottom.
2. Place the 4x speed clips provided with the fire over the holes in the front of the outer cabinet on the firebox.
3. Line up the fascia with the firebox and position ensuring the air control lever protrudes through the fascia.
4. Using the 4x 8g x 25mm screws provided, screw the fascia to the firebox through the speed clips (position A on fig. 1).
5. Replace door using reverse of operation of step 1.

TOP PANEL

The top panel has to be installed in place to ensure the fire performs as designed too. To install top panel, first remove it from sitting on top of the firebox. Then place it on top of the two outer cabinet edges and slide into place as per fig. 1.

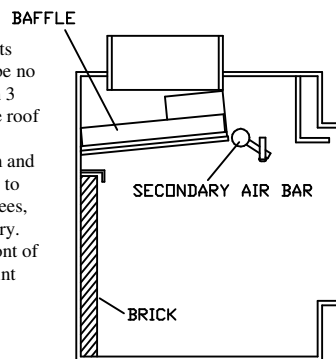


INSULATION BLANKET

The white insulation blanket provided needs to be installed on top of the firebox cabinet as illustrated in the diagram on the other side of this data sheet.

Installation shown complies with AS/NZS 2918:2001. If a chimney exits out of the roof within 3 metres of the ridge, the outer shield height shall be no less than 600mm above the ridge height. If the chimney exits further than 3 metres out of the roof from the ridge then it should project 900mm above roof penetration.

For optimum performance overall flue length should be between 3.60m and 4.80m and have no bends. Flue pipes should be 150mm in diameter. Due to factors such as roof pitch, predominant winds, nearby obstructions (ie. Trees, buildings, etc.) and fire placement, flue lengths and hats or cowls may vary. To comply with AS/NZS 2918:2001 a provision has been made at the front of the cabinet base to bolt the fire down through the floor for seismic restraint specification.



Attention

The air bar may need to be fitted into position. Please ensure the tab on the air bar is located to the location pin in the lefthand side of the firebox. Insert split pin and pry end of split pin apart.

To remove the air bar simply remove the split pin and remove the air bar.

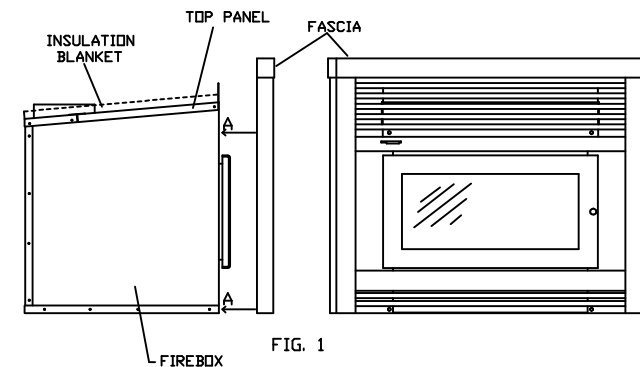


FIG. 1