

PART NUMBER : 997901

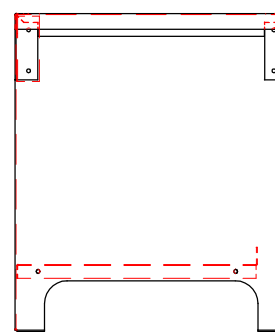
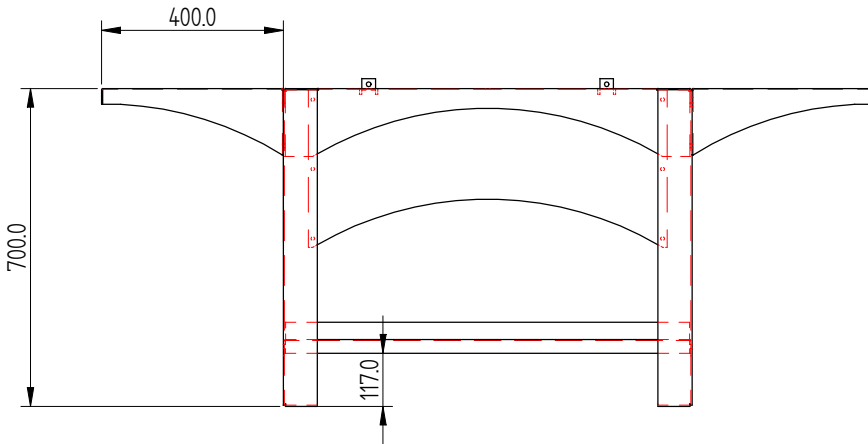
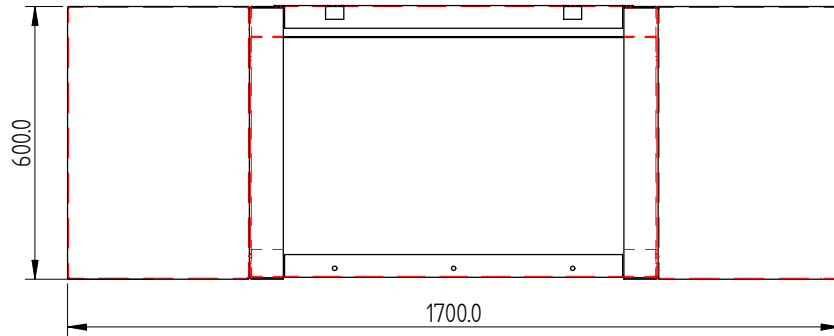
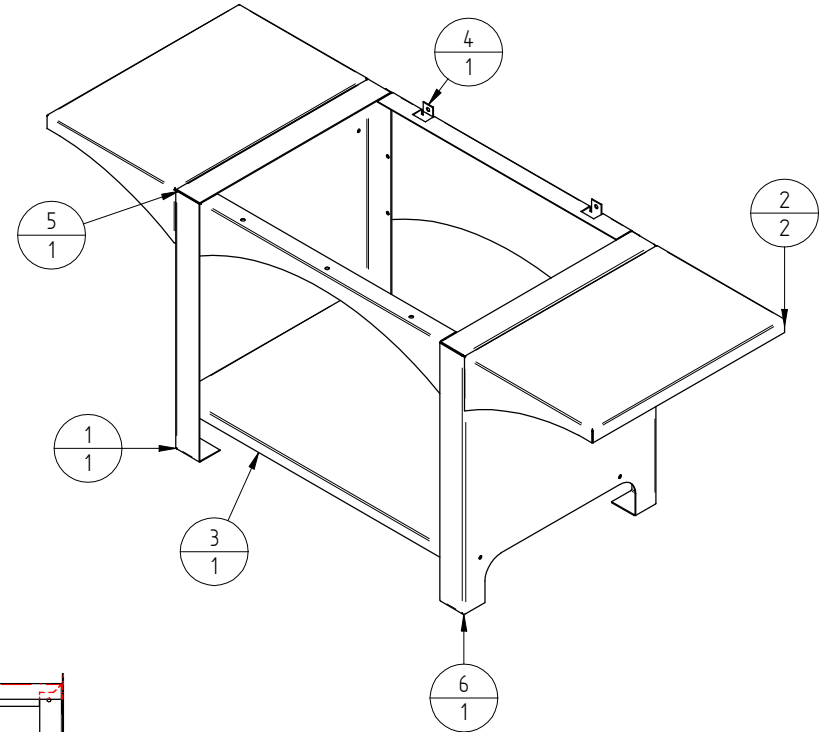
REVISION LEVEL : A

Item Number	Document Number	Title	Material	Quantity
1	997041	PIZ STAND LEG L/H	Galvabond 2.5 mm	1
2	997044	PIZ SIDE SHELF	GalvaBond 2.0mm	2
3	997043	PIZ BASE SHELF	GalvaBond 2.0mm	1
4	997045	PIZ REAR PANEL	GalvaBond 2.0mm	1
5	997042	STAND FRONT PANEL	GalvaBond 2.0mm	1
6	997046	PIZ STAND R/H LEG	Galvabond 2.5 mm	1

Amendment	Date	By

TOLERANCES :
 Decimal Places: 0 ± 0.5
 0.0 ± 0.2
 Angles Degrees: 0 ± 5°

NOTES:
 1) ALL BURRS AND SHARP EDGES TO BE REMOVED.
 2) TO BE NO RUST ON BASE METAL.



Weight = 45.778 kg

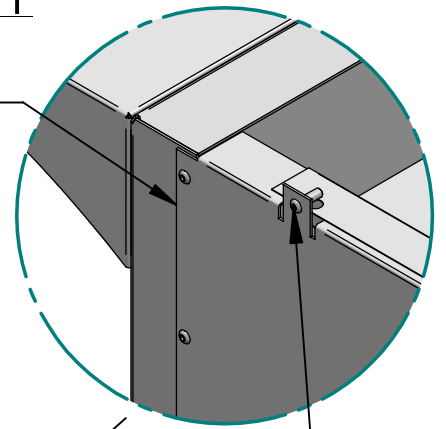
GLEN DIMPLEX AUSTRALASIA LTD
 38 HARRIS ROAD, EAST TAMAKI, AUCKLAND, NEW ZEALAND
 Ph 09 274 8265, Fax 09 274 8472, Email : Eng_Office@glendimplex.co.nz

Customer :	Drawing No :	Drawn : ernesta	Date : 15-Jun-09	Chk'd By :
Part Name: PIZ STAND ASSY	Material :	Modified : leonk	Date : 25-Jun-09	Finish : Natural

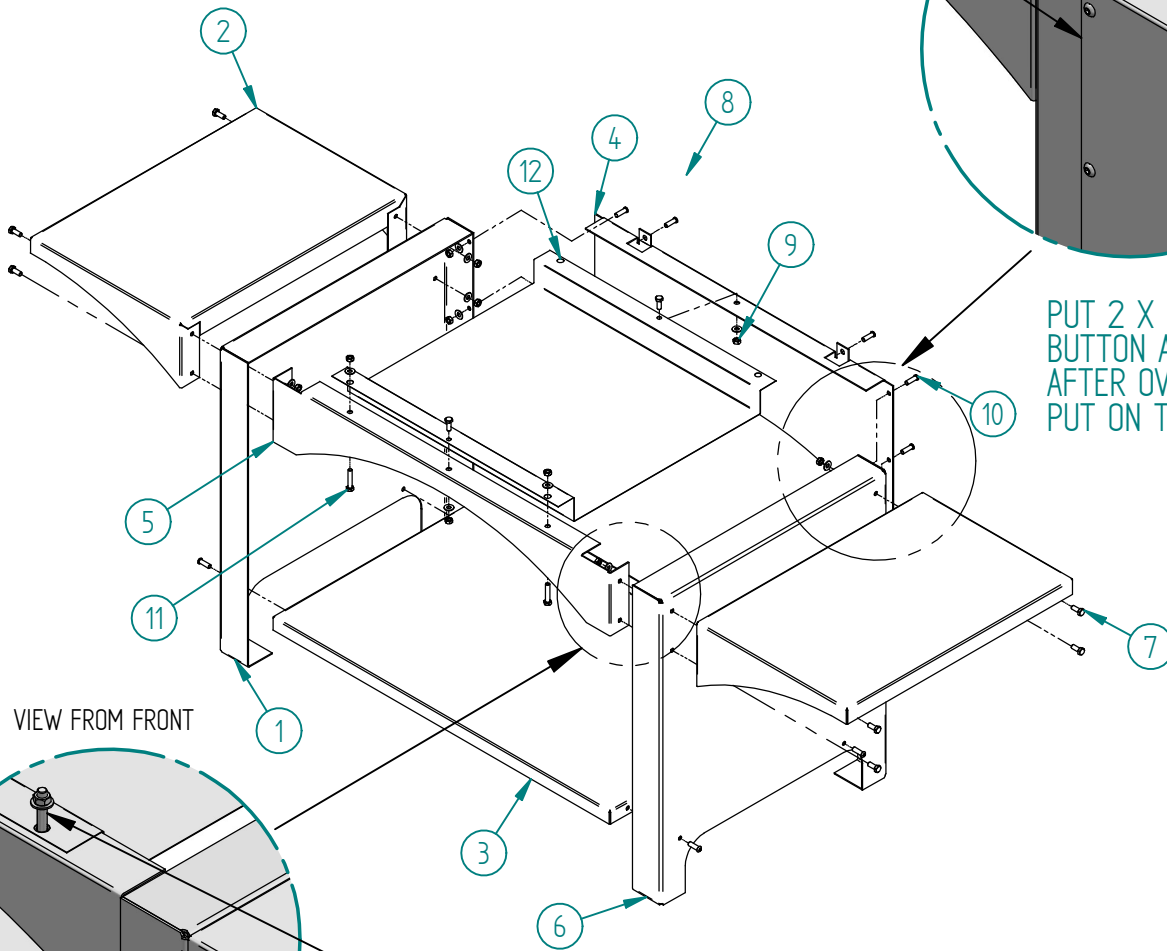
PIZZERIA 900 STAND ASSEMBLY

VIEW FROM REAR

REAR PANEL SHOULD BE FITTED FROM OUTSIDE



PUT 2 X M8X25 BLK BUTTON ALLEN SCREWS AFTER OVEN IS PUT ON THE STAND



VIEW FROM FRONT

M8X40 BOLT & NUT (2 PLACES) SHOULD BE PUT AFTER OVEN IS PUT ON THE STAND

FRONT PANEL SHOULD BE INSERTED INSIDE SIDE PANEL

Item Number	PART ID	Title	Quantity
1	997041	PIZ STAND LEG L/H	1
2	997044	PIZ SIDE SHELF	2
3	997043	PIZ BASE SHELF	1
4	997045	PIZ REAR PANEL	1
5	997042	STAND FRONT PANEL	1
6	997046	PIZ STAND R/H LEG	1
7	521066	SCREW; M8X20 HEX ZP	10
8*	523034	WASHER; FLAT M8X19X1.6 ZP	22
9	522118	NUT; HEX STD M8 ZP	22
10	521826	SCREW; CAP M8X25 BUTTON ALLEN BLK	12
11	521070	SCREW; M8X40 HEX ZP	2
12	997051	HEATSHIELD, STAND	1