

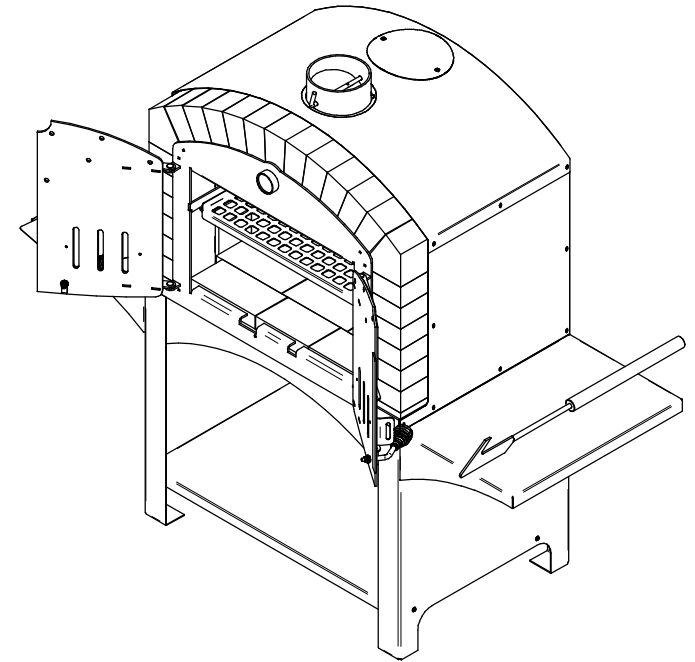
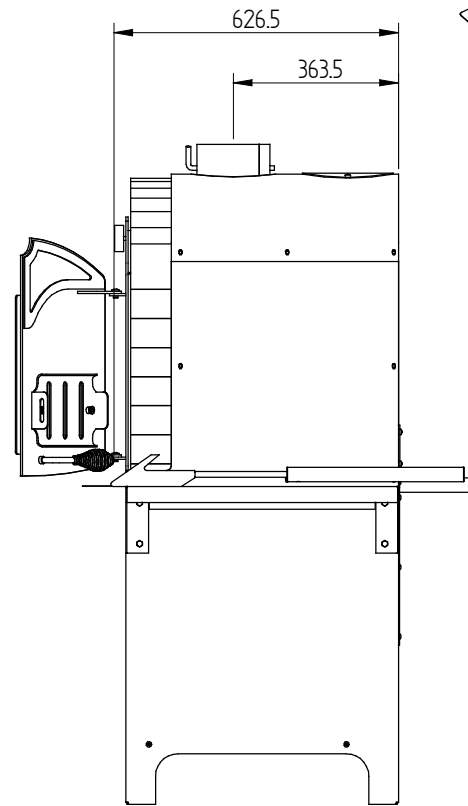
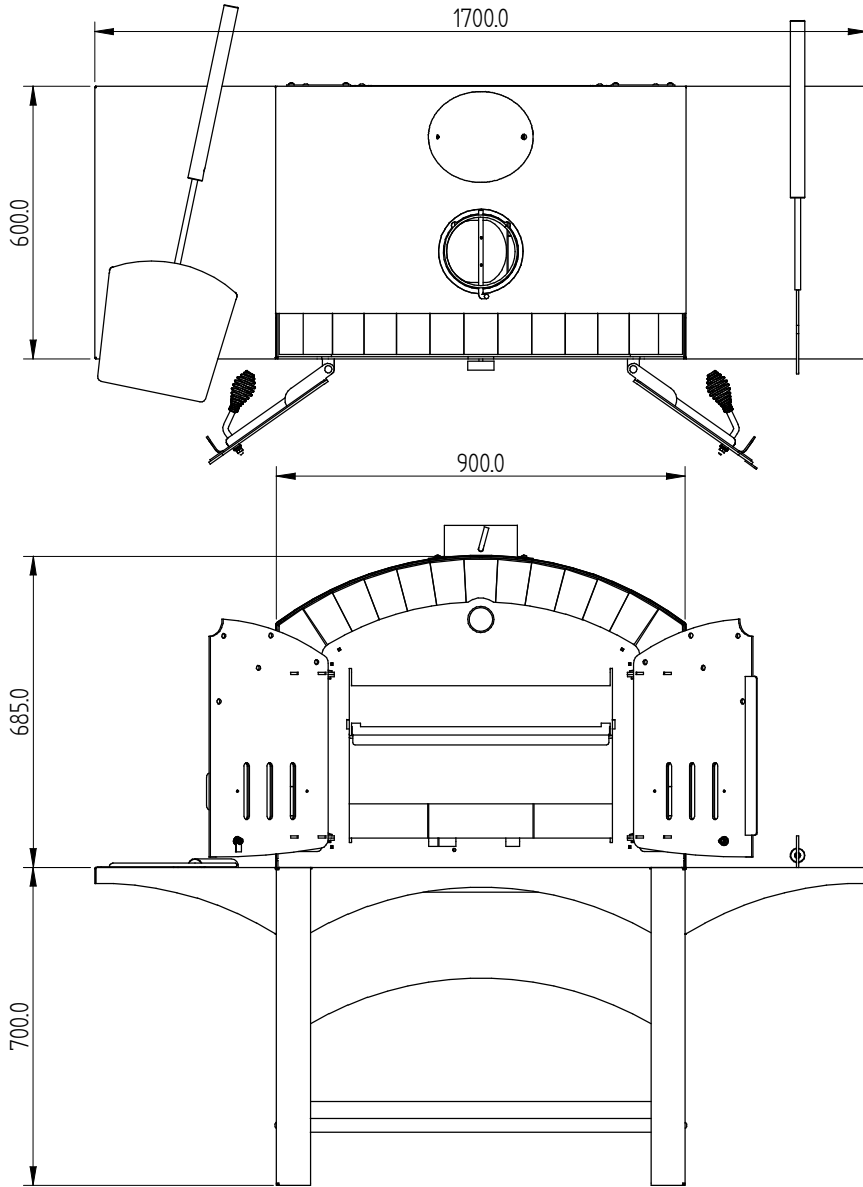
PIZZARIA 900 OVER WITH STAND

PART NUMBER : 997900

REVISION LEVEL : A

Amendment	Date	By

TOLERANCES :
 Decimal Places: 0 ± 0.5
 0.0 ± 0.2
 Angles Degrees: 0 ± 5°



GLEN DIMPLEX AUSTRALASIA LTD
 38 HARRIS ROAD, EAST TAMAKI, AUCKLAND, NEW ZEALAND
 Ph 09 274 8265, Fax 09 274 8472, Email : Eng_Office@glendimplex.co.nz

Customer : GOA	Drawing No :	Drawn : LK	Date : 6/17/2009	Chk'd By :
Part Name: THE PIZZARIA 900	Material :	Modified : benh	Date : 7/26/2010	Finish : Natural

5*	997901	PIZ STAND ASSY		1
This drawing is the Property of GLEN DIMPLEX AUSTRALASIA LTD. All dimensions are outside/outside unless otherwise stated.				
6*	995091	SPACER - AIR SLIDE, LE PROV	MILD STEEL	4
7	997006	PANEL DOOR L/H ASSY		1
8	997008	PANEL- AIRSLIDE	Hot Rolled 3.0mm	2
9	523021	WASHER, FLAT M10X19X1.6 ZP	PURCHASED	5
10	997039	LATCH-DOOR CATCH, MET BLK	Hot Rolled 3.0mm	1
11	997093	DAMPER BAFFLE ASSY		1
12	597061	ROD-FLUE DAMPER		1
13	597024	BRICK - 63 X 115x 115- CERAMIC	CERAMIC BRICK	12
14	597062	BRICK - 230 X 115 X 40	CERAMIC BRICK	14
15	997000	OVEN ASSY, WELDED		1
16	597052	PIZ ROD- DOOR HANDLE	12mm DIA MILD STEEL ROD	2
17	521045	SCREW; M6X10 PAN POZI BLK	Purchased	10
18*	597069	TUBE GAUGE PROTECTION	MILD STEEL	1
19	997096	PIZZARIA 900 CORNER BRICK FASCIA	CERAMIC BRICK	2
20	597058	GAUGE - TEMP, THE PIZZERIA 900		1
21*	PYRE00354	PYR ECO BRICK - 230 X 115 X 25	CERAMIC BRICK	9
22	997091	BRICK - 40x 115x 185- CERAMIC	CERAMIC BRICK	1
23	997090	BRICK - 25 X 115 X 115	CERAMIC BRICK	5
24	KRR00376	KRR DOOR HANDLE	STEEL ROD 4MM COILED	2
25*	997084	SCRAPER ASSY		1
26	597025	BRICK - ARCHITECT CURVE 75 X 63 X 115- CERAMIC	CERAMIC BRICK	11
27*	997088	PIZZA PADDLE ASSY		1
28	522118	NUT; HEX STD M8 ZP	PURCHASED	2
29*	997095	SAND RELEASE COVER	Hot Rolled 3.0mm	2

PART NUMBER : 997900

REVISION LEVEL : A

Amendment

Date

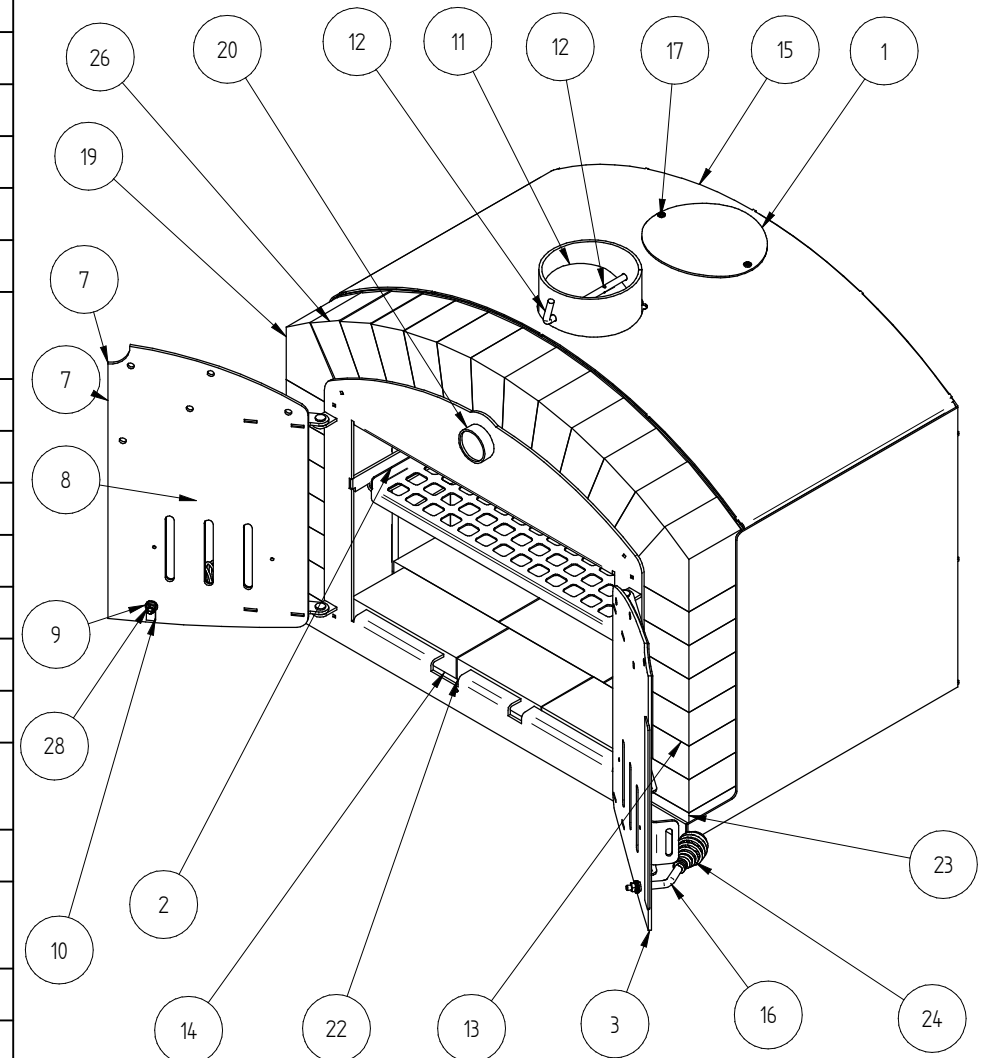
By

TOLERANCES :

Decimal Places: 0 ± 0.5

0.0 ± 0.2

Angles Degrees: 0 ± 5°



GLEN DIMPLEX AUSTRALASIA LTD
 38 HARRIS ROAD, EAST TAMAKI, AUCKLAND, NEW ZEALAND
 Ph 09 274 8265, Fax 09 274 8472, Email : Eng_Office@glendimplex.co.nz

Customer : GDA

Drawing No :

Drawn : LK

Date : 6/17/2009

Chk'd By :

Modified : benh

Date : 7/26/2010

Part Name: THE PIZZARIA 900

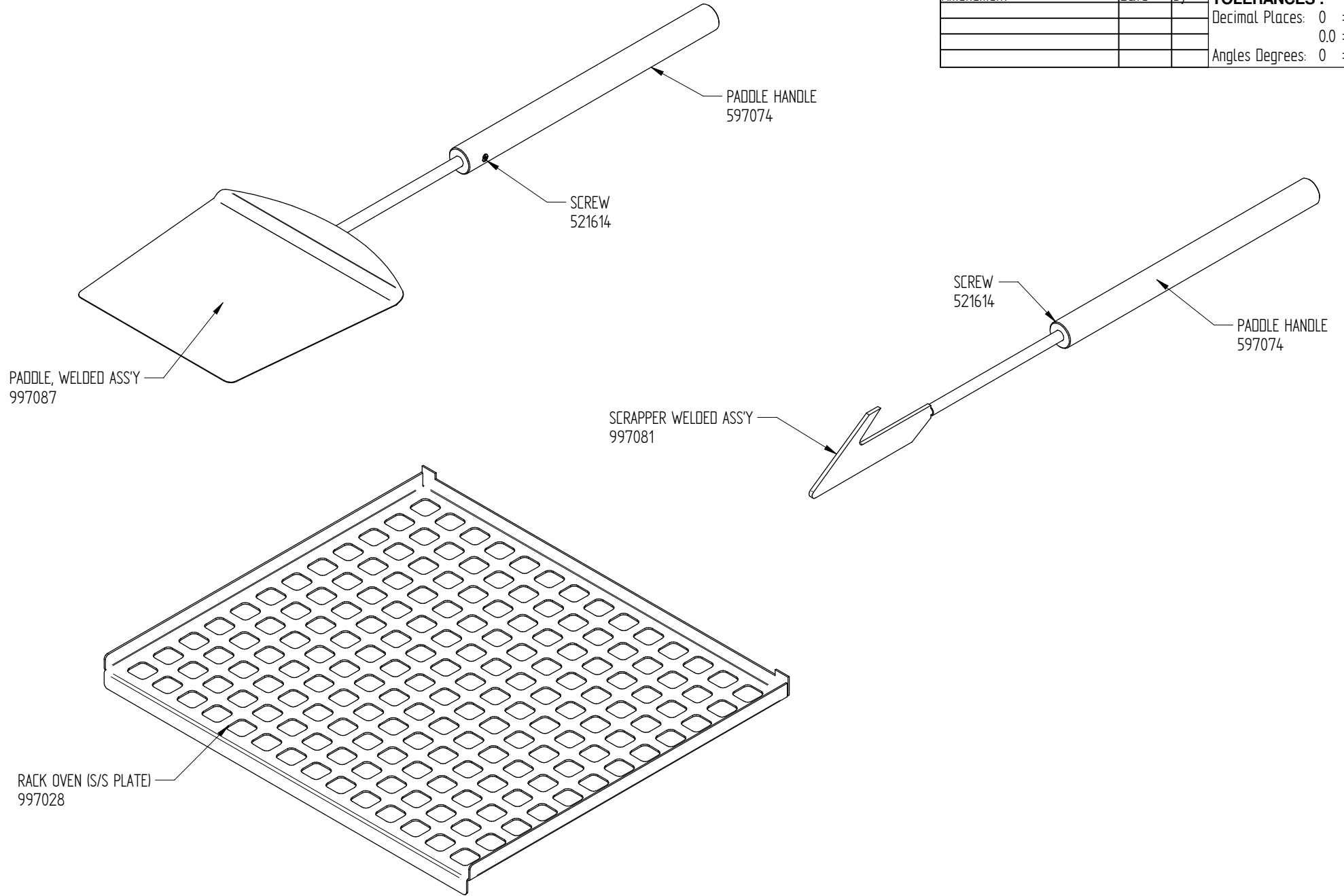
Material :

Finish : Natural

Amendment	Date	By

TOLERANCES :

Decimal Places:	0 ± 0.5
	0.0 ± 0.2
Angles Degrees:	0 ± 5°

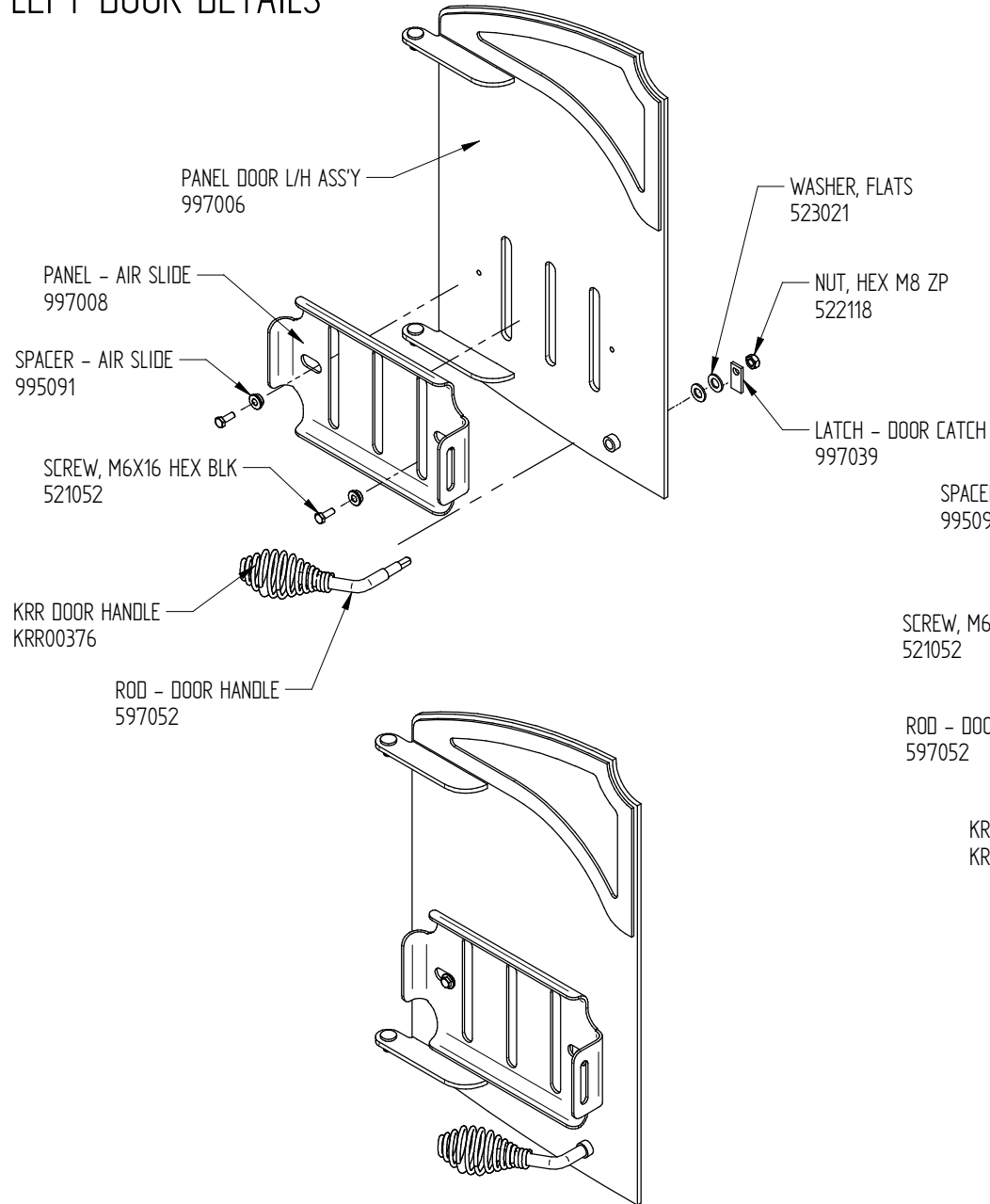


Amendment	Date	By

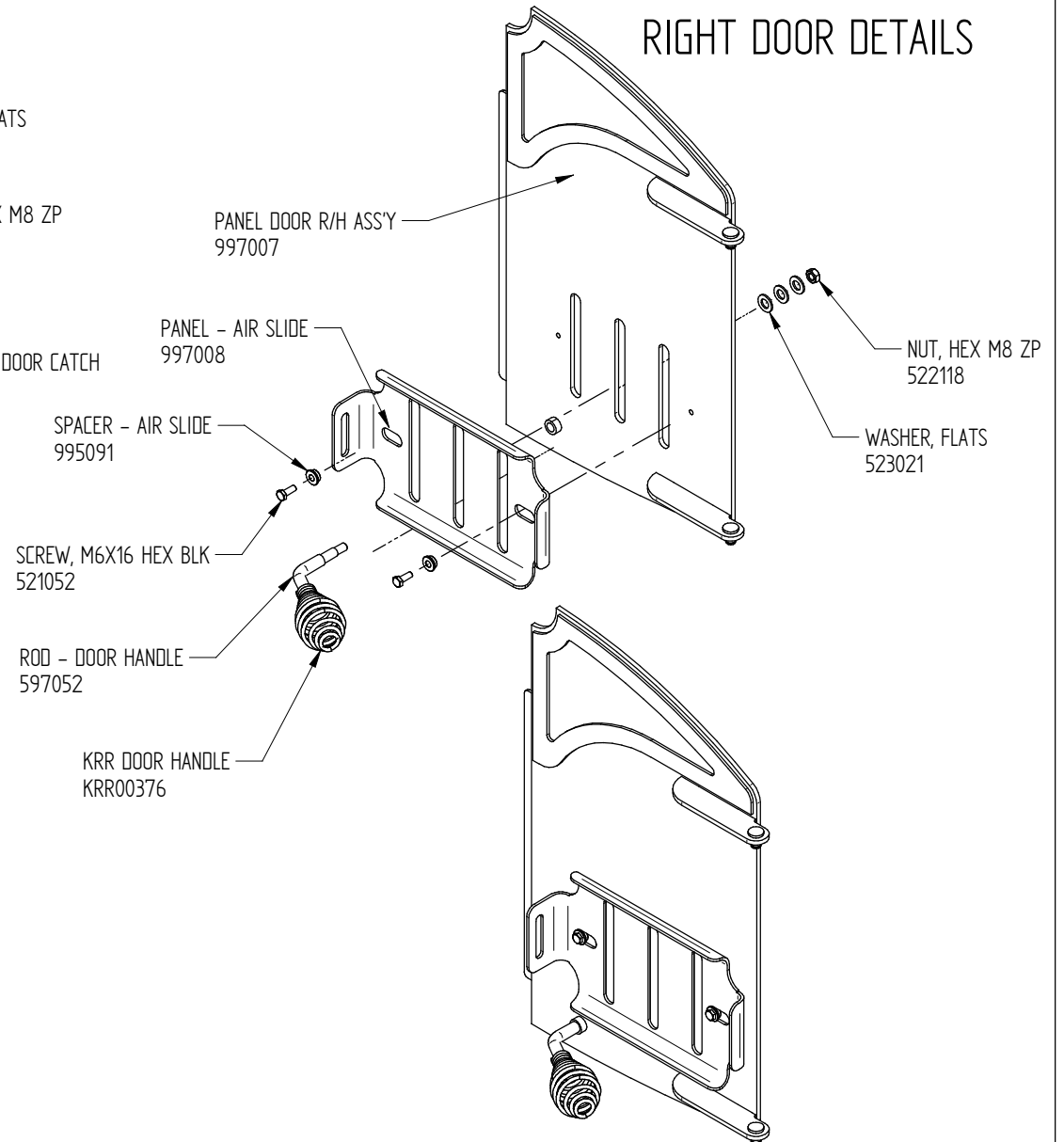
TOLERANCES :

Decimal Places:	0 ± 0.5
	0.0 ± 0.2
Angles Degrees:	0 ± 5°

LEFT DOOR DETAILS



RIGHT DOOR DETAILS

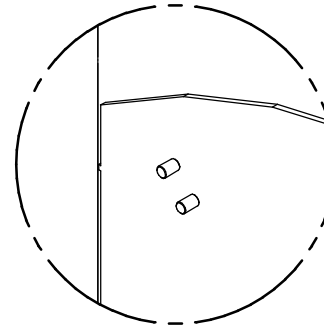
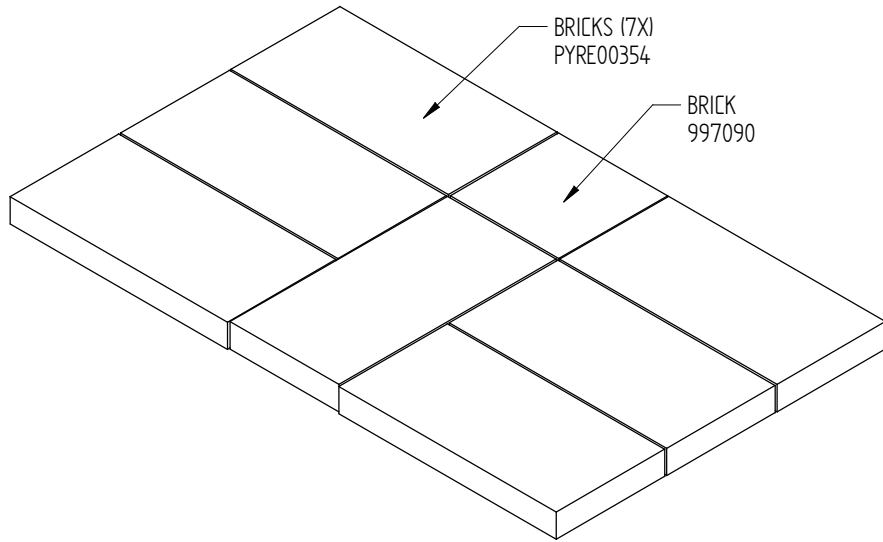


Amendment	Date	By

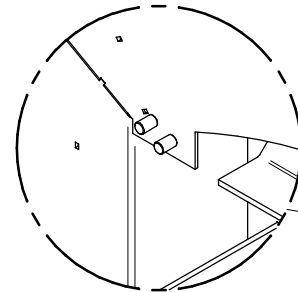
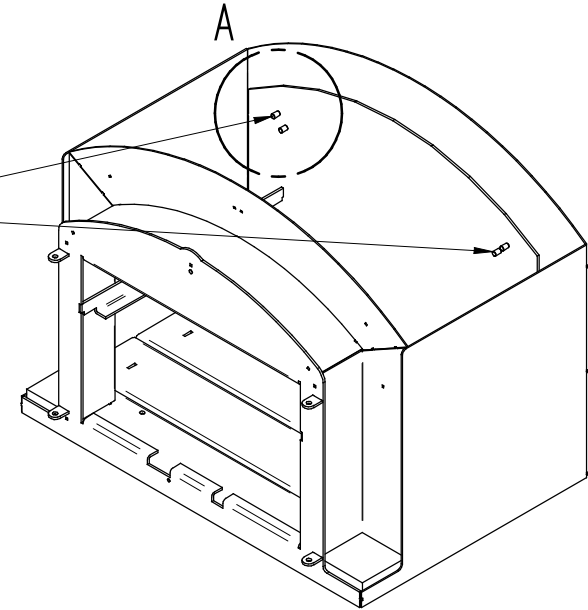
TOLERANCES :

Decimal Places:	0 ± 0.5
	0.0 ± 0.2
Angles Degrees:	0 ± 5°

BAFFLE BRICKS LAYOUT

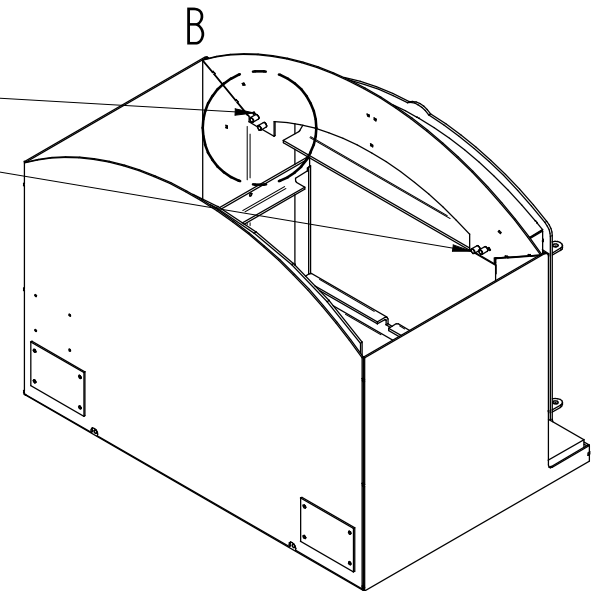


DETAIL A

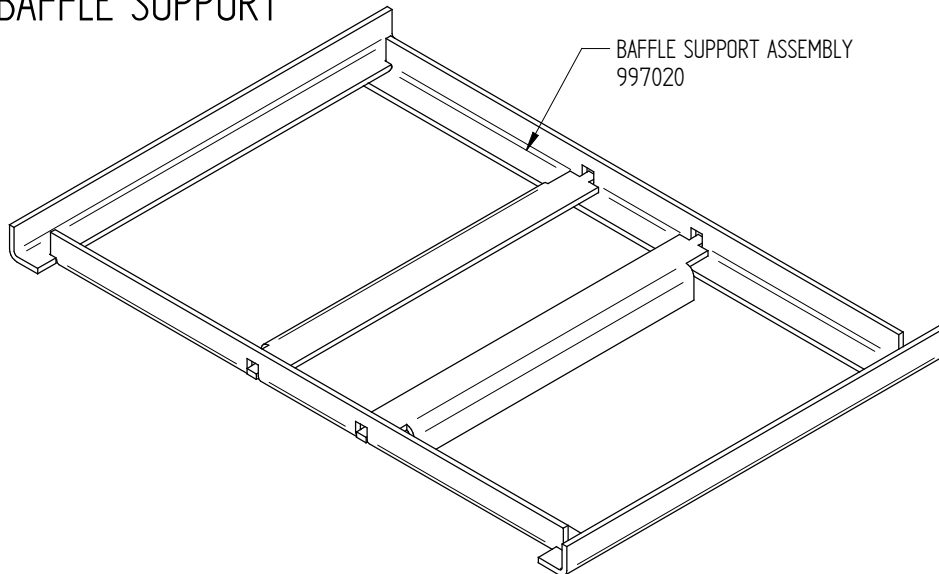


DETAIL B

DETAIL A & B SHOWS PINS FOR MOUNTING BAFFLE SUPPORT ASSEMBLY



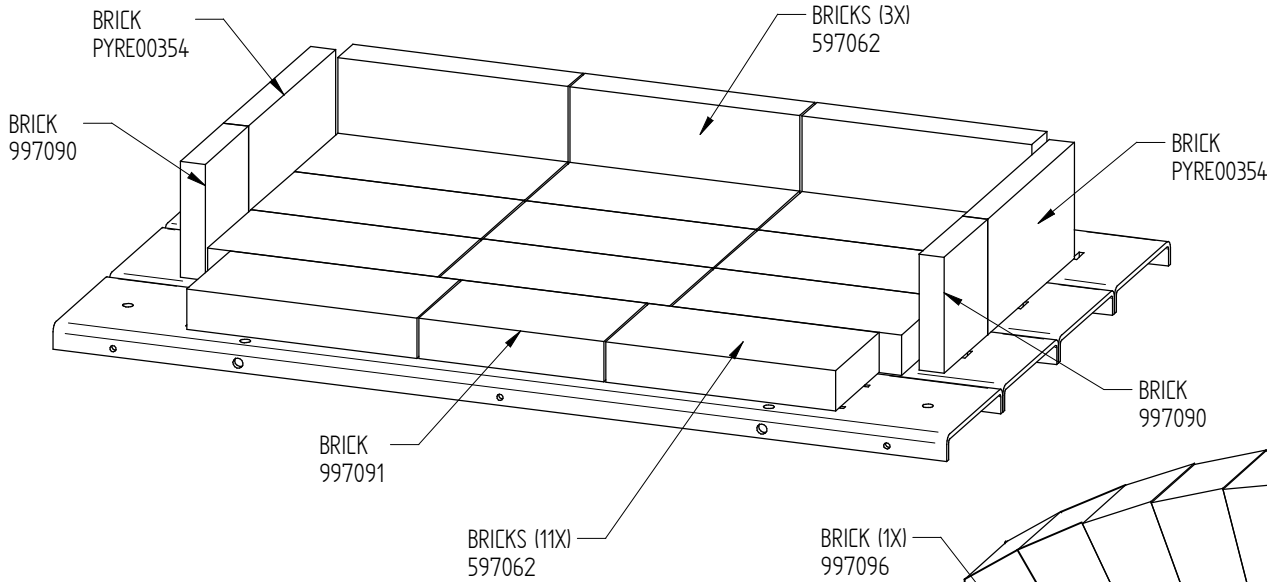
BAFFLE SUPPORT



Amendment	Date	By

TOLERANCES :
 Decimal Places: 0 ± 0.5
 0.0 ± 0.2
 Angles Degrees: 0 ± 5°

BOTTOM BRICKS



ITEM	PART NUMBER	TITLE	QUANTITY
1	597062	BRICK - 230 X 115 X 40	14
2	997090	BRICK - 25 X 115 X 115	2
3	997091	BRICK - 40 X 115 X 185	1
4	PYRE00354	BRICK - 230 X 115 X 25	2

ITEM	PART NUMBER	TITLE	QUANTITY
1	597025	BRICK - CURVE 75 X 63 X 115	11
2	597024	BRICK - 63 X 115 X 115	12
3	997096	BRICK - CORNER, FASCIA	2
4	997090	BRICK - 63 X 115 X 115 CHAMFER	2

FRONT BRICKS

