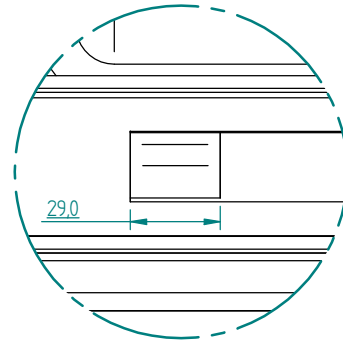
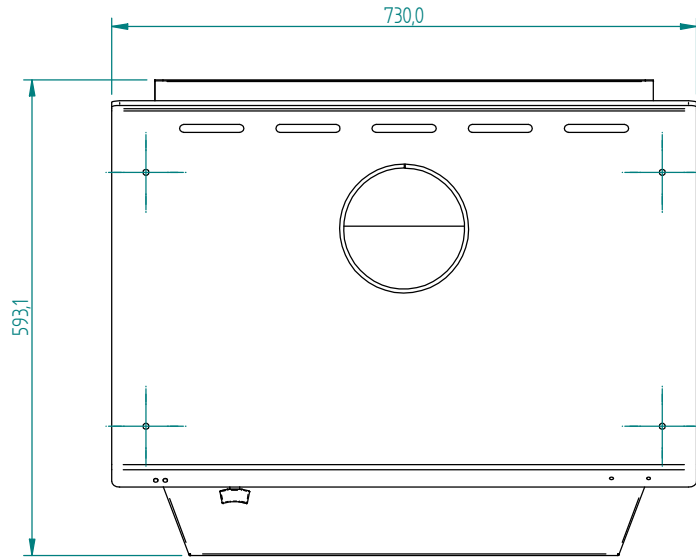


PART NUMBER : SS4\_ASSY

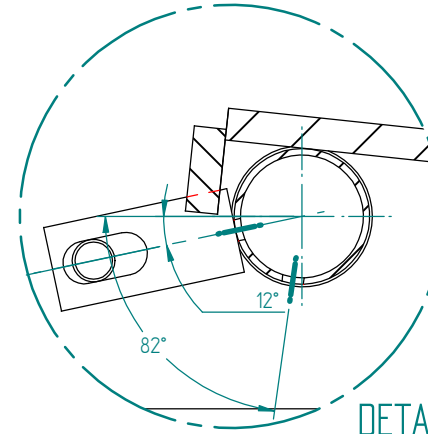
REVISION LEVEL :

Amendment	Date	By

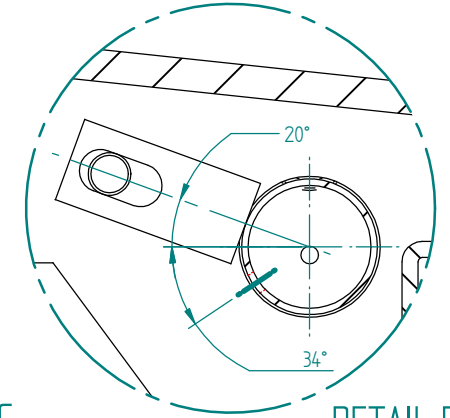
Tolerances Unless Specified		
Decimal Places	0	+/- 0.5
	0.0	+/- 0.1
	0.00	+/- 0.05



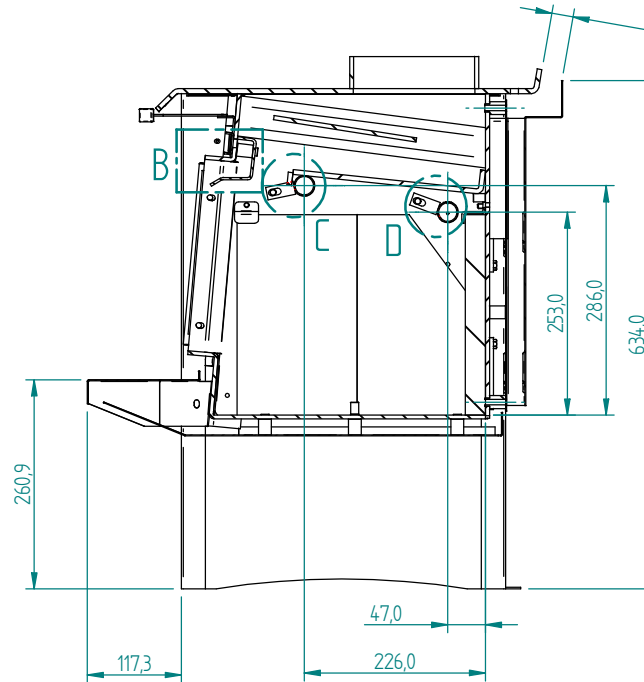
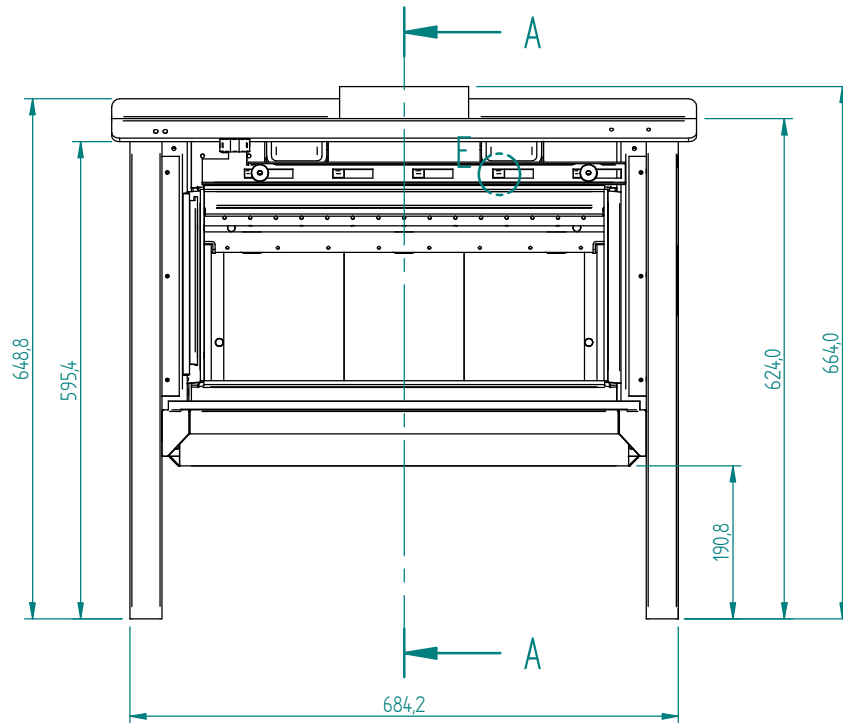
DETAIL E



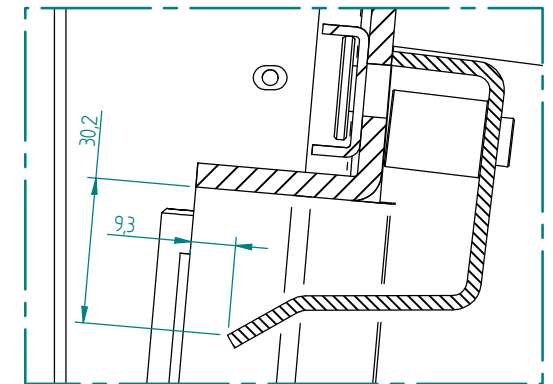
DETAIL C



DETAIL D



SECTION A-A



DETAIL B

Weight = 0.000 kg

**METAL FAB INDUSTRIES LTD**  
 38 HARRIS ROAD, EAST TAMAKI, AUCKLAND, NEW ZEALAND  
 Ph 09 274 8265, Fax 09 274 8472, Email : engdept@metalfab.co.nz

Customer : JAYLINE	Drawing No:	Drawn : prakashs	Date : 24/11/2005	Chk'd By :
Part Name : SS400 ASSEMBLY	Material :	Modified : david	Date : 20/02/2006	Finish : Natural