



## FREESTANDING GAS FIRES

# MONACO S2

## Natural Gas / LPG

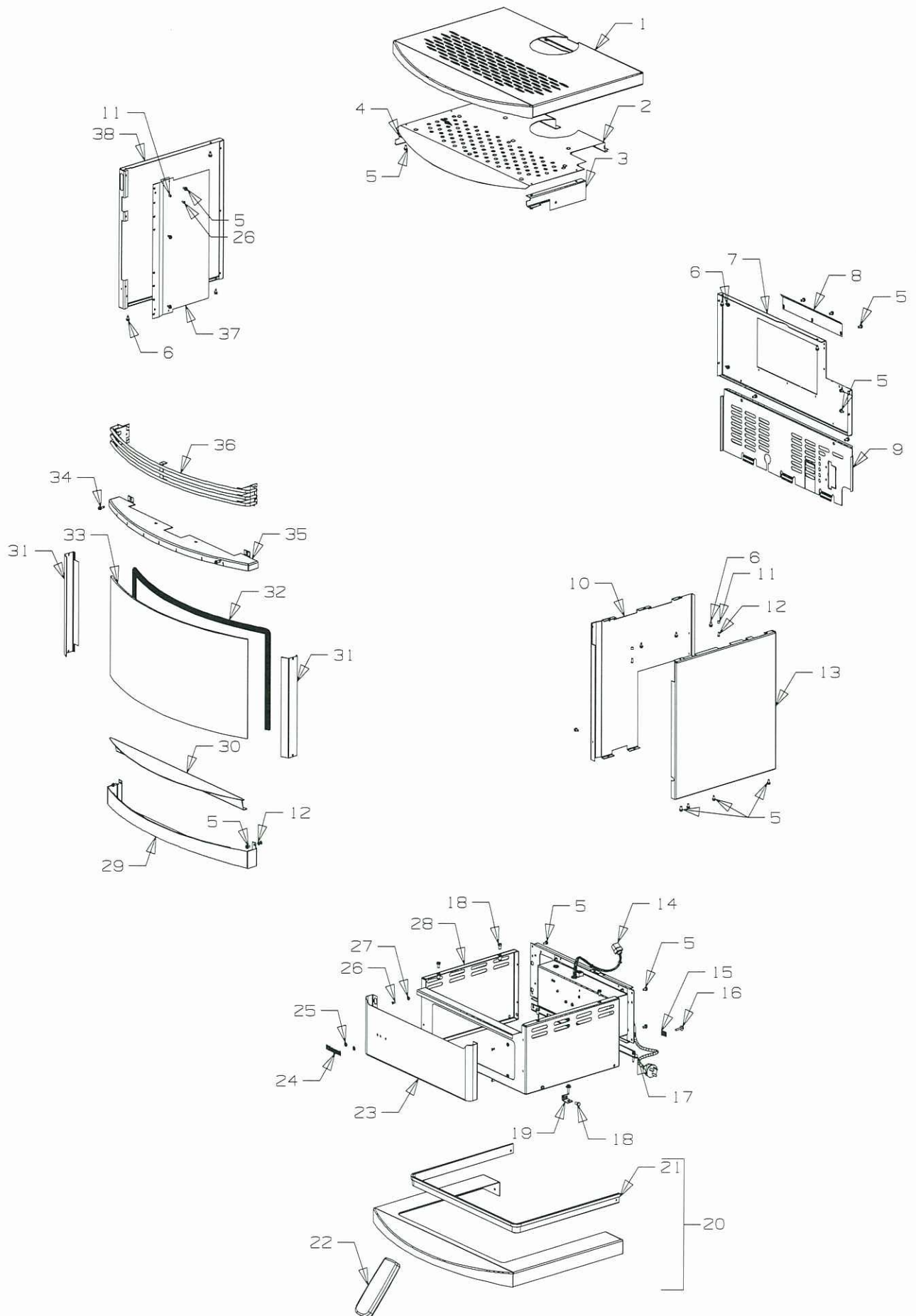
(New Zealand/Australia - ECS - Flued)

|                     |                              |       | NZ     | AUST    |        |
|---------------------|------------------------------|-------|--------|---------|--------|
| <b>Part Numbers</b> | Natural Gas                  | Black | 991914 | MAG2189 | Page 2 |
|                     | LPG                          | Black | 991915 | MAG2190 | Page 2 |
| <b>Control Box</b>  | Control Box Assy             |       | 791637 | 791637  | Page 6 |
| <b>Fan</b>          | Fan Assy-3 Speed - DE        |       | 791613 | 791613  | Page 7 |
| <b>Flue</b>         | Freestanding B Vent Flue Kit |       | 588656 | _____   | Page 8 |
|                     | Freestanding B Vent Flue Kit |       | _____  | 552323  | Page 8 |

**From Serial Number 4011955**

**Month and Year First of Manufacture: May 2003**

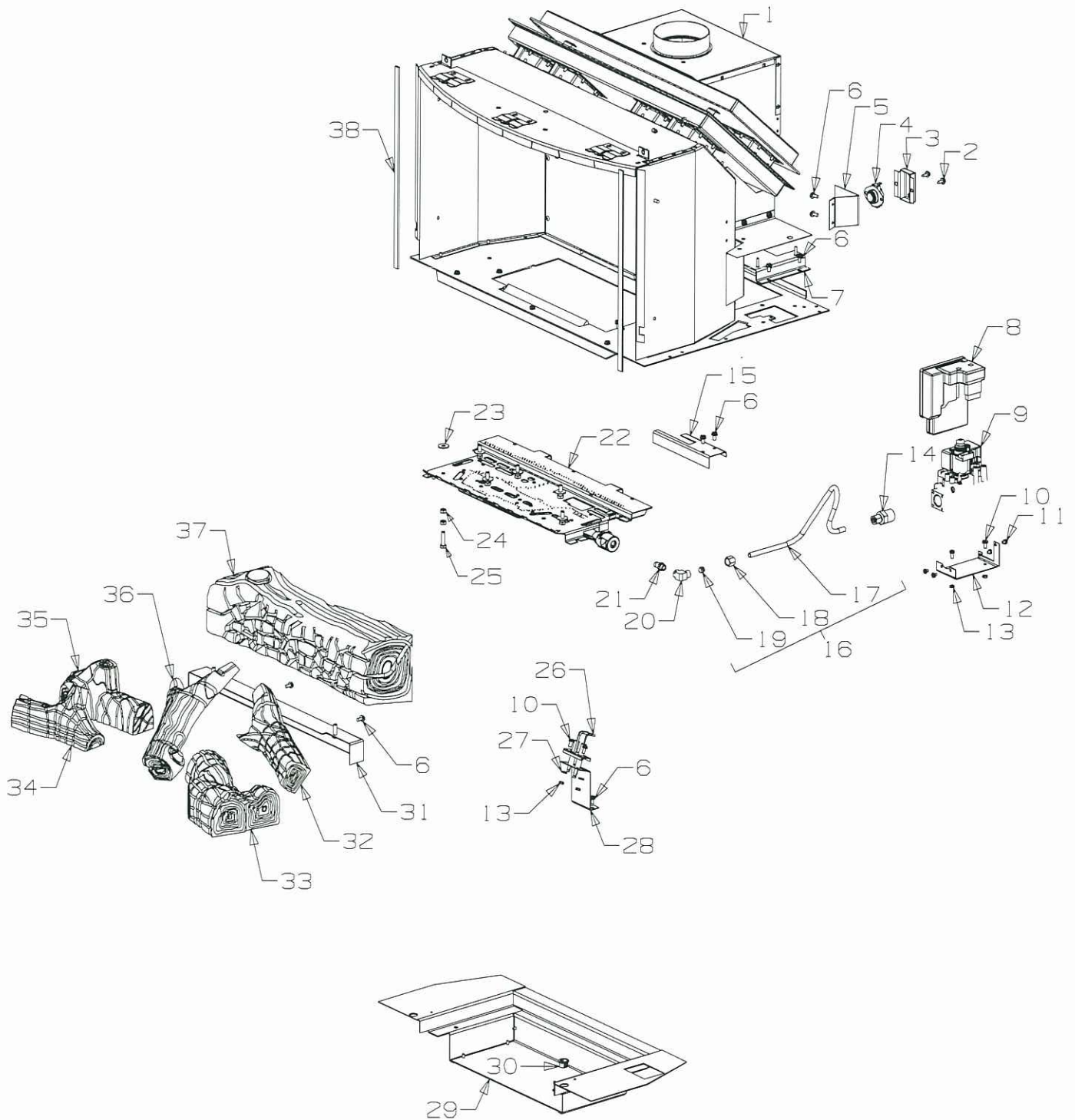






| Item No | Part No | Description               | Qty | Item No | Part No | Description                    | Qty |
|---------|---------|---------------------------|-----|---------|---------|--------------------------------|-----|
| 1       | 791593  | Panel-Top - Black         | 1   | 20      | 991563  | <b>Foot-(Pnt-Trm) - Black</b>  | 1   |
| 2       | 991598  | Heatshield-Top            | 1   | 21      | 588673  | • Trim-Foot                    | 1   |
| 3       | 991612  | Heatshield-Top, RH        | 1   | 22      | 791639  | Control-Remote, RF (handset)   | 1   |
| 4       | 991611  | Heatshield-Top, LH        | 1   | 23      | 791548  | <b>Panel-Pedestal, Front</b>   |     |
| 5       | 503630  | Screw; S/T 10 x .4        | 50  |         |         | <b>- Black</b>                 | 1   |
| 6       | 503259  | Screw; S/T 10 x .4        | 13  | 24      | 585581  | • Badge - Silver               | 1   |
| 7       | 791595  | Panel-Rear - Black        | 1   | 25      | 503381  | • Clip-Starlock 4 Dia          | 2   |
| 8       | 990335  | Bracket-Support, Diverter | 1   | 26      | 586167  | Rivet-Pop 4.0 Dia x 4.8        | 6   |
| 9       | 791618  | Panel-Rear Access - Black | 1   | 27      | 986149  | Spacer-Front Panel             | 4   |
| 10      | 991519  | Panel-Side, RH Inner      | 1   | 28      | 791606  | Pedestal - Black               | 1   |
| 11      | 986148  | Spacer-Grille             | 4   | 29      | 791539  | Panel Assy-Front - Black       | 1   |
| 12      | 501303  | Rivet-Pop 4.0 Dia x 7.9   | 2   | 30      | 791532  | Support-Glass                  | 1   |
| 13      | 791504  | Panel-Side, RH - Black    | 1   | 31      | 791567  | Panel-Trim, Glass - Black      | 2   |
| 14      | 791637  | Box-Control               | 1   | 32      | 700861  | Tape, Flat 6 x 38 Ladder       | 1   |
| 15      | 503388  | Nut-Spire                 | 2   | 33      | 791520  | Glass                          | 1   |
| 16      | 503459  | Screw, S/T 12 x 25        | 6   | 34      | 503489  | Screw-Set M5 x 16              | 2   |
| 17      | 995612  | Bracket-Seismic Restraint | 1   | 35      | 791524  | Retainer-Glass, Top            | 1   |
| 18      | 501959  | Screw, Set M6 x 12        | 6   | 36      | 791573  | Grill-Assy, Bar - Silver/Black | 1   |
| 19      | 986413  | Bracket-Seismic Restraint | 2   | 37      | 991526  | Heatshield-Side, LH            | 1   |
|         |         |                           |     | 38      | 791505  | Panel-Side, LH - Black         | 1   |

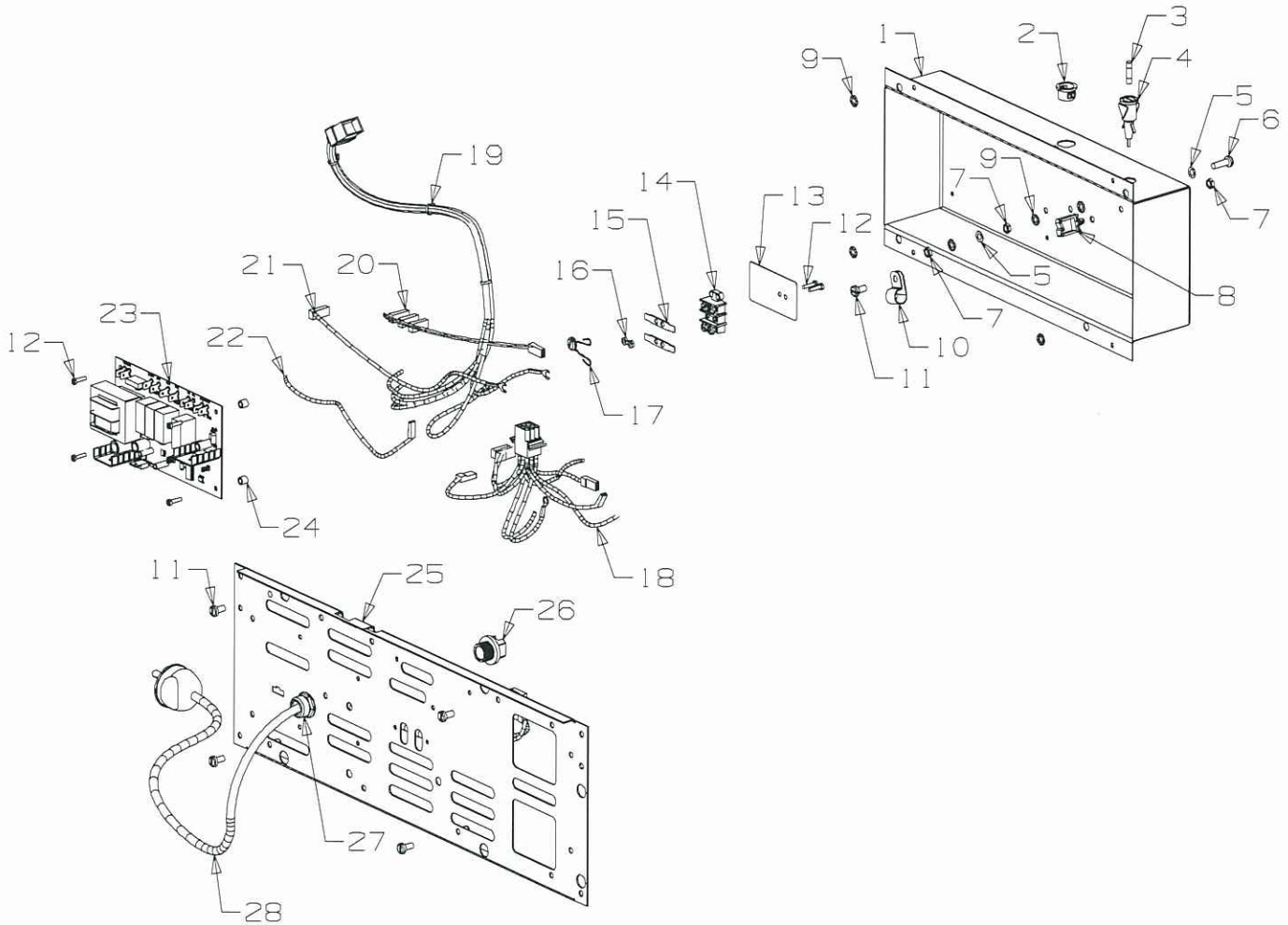
**Bold Text** = Assemblies  
**Bulleted Text** = Items included in Assemblies





| Item No | Part No | Description                    | Qty | Item No | Part No | Description                 | Qty |
|---------|---------|--------------------------------|-----|---------|---------|-----------------------------|-----|
| 1       | 991590  | Firebox-Complete               | 1   | 21      | 590352  | Injector-Main, 2.96         |     |
| 2       | 503704  | Screw; S/T 8 x .5              | 2   |         |         | - Natural Gas               | 1   |
| 3       | 991304  | Shield-Thermodisc Terminal     | 1   | •       | 591634  | Injector-Main, 1.80 -LPG    | 1   |
| 4       | 591119  | Thermodisc-Fan                 | 1   | 22      | 790246  | Burner Assy                 |     |
| 5       | 990282  | Bracket-Mount, Thermodisc      | 1   |         |         | - Natural Gas 'A'           | 1   |
| 6       | 503630  | Screw; S/T 10 x .4             | 50  | •       | 790398  | Burner Assy - LPG 'B'       | 1   |
| 7       | 991599  | Panel-Mount, Fan               | 1   | 23      | 503196  | Washer; Flat 1/4" x .75     | 6   |
| 8       | 590269  | Ignition Module                | 1   | 24      | 503613  | Nut, M6 HEX Stainless       | 12  |
| 9       | 791348  | Valve-Control, Gas SIT 845     |     | 26      | 590267  | Ignitor-Direct Spark        | 1   |
|         |         | - Natural Gas                  | 1   | 27      | 501330  | Washer, Flat 5 x 10 x 1.0   | 2   |
| 9       | 791209  | Valve-Control, Gas SIT 845     |     | 28      | 991630  | Bracket-Mounting, Ignitor   | 1   |
|         |         | - LPG                          | 1   | 29      | 991600  | Burner Tray Assy            | 1   |
| 10      | 501857  | Screw-Pan M5 x 10              | 2   | 30      | 586734  | Bush-Plastic                | 1   |
| 11      | 503631  | Screw, Pan M4 x 5              | 4   | 31      | 990322  | Support-Log, Rear           |     |
| 12      | 991231  | Bracket-Mount, Valve           | 1   |         |         | - Natural Gas 'A'           | 1   |
| 13      | 501856  | Nut, M5                        | 2   | •       | 991644  | Support-Log, Rear - LPG 'B' | 1   |
| 14      | 588077  | Fittng-Complete 8 x 1/2"       | 1   | 32      | 790342  | Log-Ceramic, Top RH         |     |
| 15      | 991629  | Hood-Air Tower                 | 1   | 33      | 790341  | Log-Ceramic, Front RH       | 1   |
| 16      | 791621  | <b>Tube Assy-Main Injector</b> | 1   | 34      | 790356  | Log-Ceramic, Front LH       | 1   |
| 17      | 591621  | •Tube-Main Injector            | 1   | 35      | 990339  | Log-Ceramic, Middle LH      | 1   |
| 18      | 588393  | •Nut-Compression 8mm           | 2   | 36      | 790343  | Log-Ceramic, Middle         | 1   |
| 19      | 588172  | •Olive-Brass, M8               | 2   | 37      | 790338  | Log-Ceramic, Rear           | 1   |
| 20      | 590345  | Fittng-Elbow                   |     | 38      | 700714  | Tape, Flat 3 x 25 Adhesive  | 1   |
|         |         | - 5/16" x 1/8" BSP             | 1   |         |         |                             |     |

**Bold Text** = Assemblies  
**Bulleted Text** = Items included in Assemblies

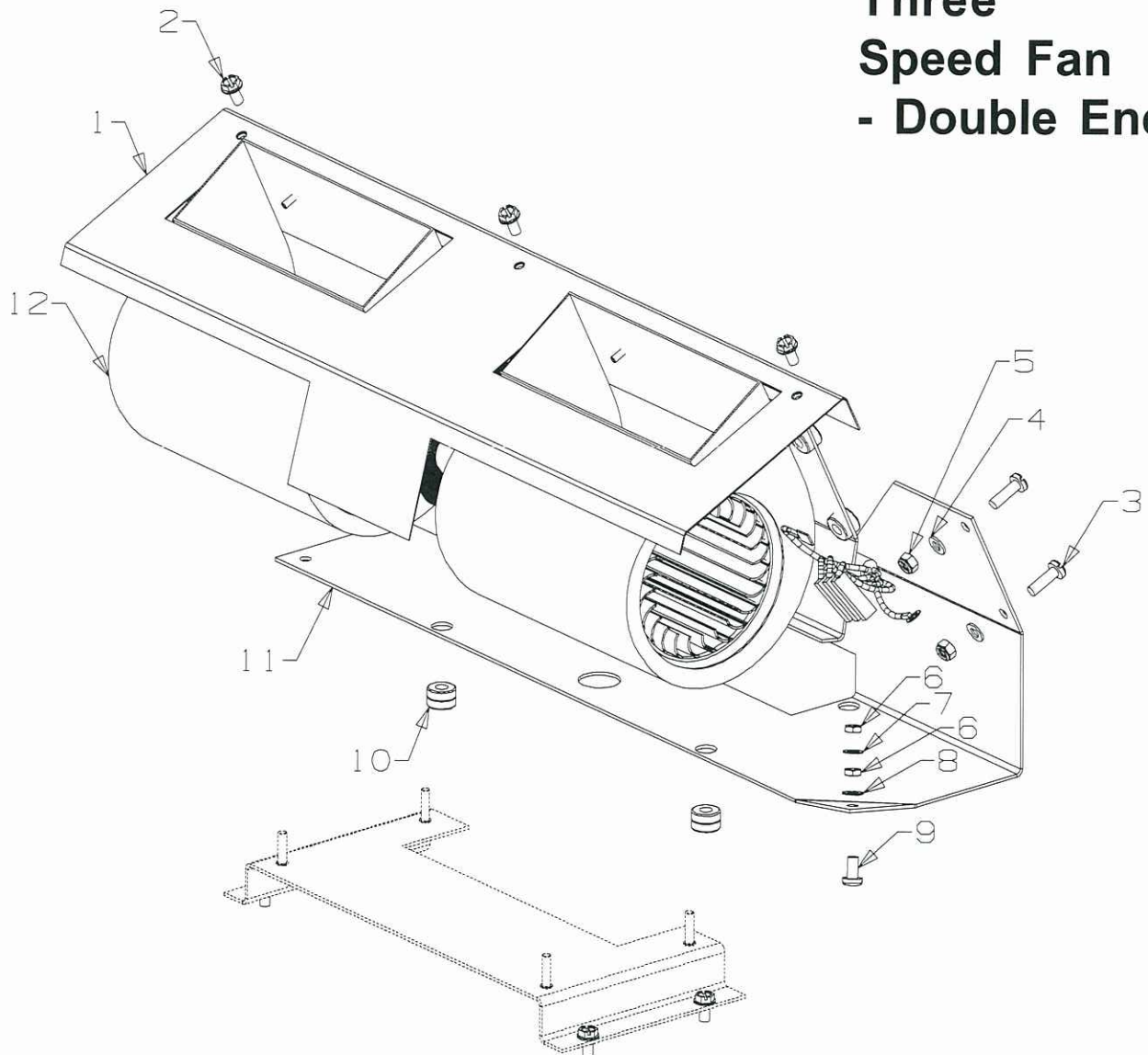


### Part No. 791637

| Item No | Part No | Description                     | Qty | Item No | Part No | Description                 | Qty |
|---------|---------|---------------------------------|-----|---------|---------|-----------------------------|-----|
| 1       | 991653  | Box-Mounting                    | 1   | 18      | 591649  | Loom-Adaptor, Ignition      | 1   |
| 2       | 586734  | Bush-Plastic                    | 1   | 19      | 591654  | Loom-Fan                    | 1   |
| 3       | 591280  | Fuse-1.0A(F)                    | 1   | 20      | 591652  | Lead-P/C Board              | 1   |
| 4       | 591278  | Holder-Fuse                     | 1   | 21      | 591650  | Lead-Relay, Mains Connect   | 1   |
| 5       | 503106  | Washer, Flat 5mm - Brass        | 2   | 22      | 591651  | Lead-Relay, Fuse Holder     | 1   |
| 6       | 501580  | Screw, Pan M5 x 16              | 1   | 23      | 591638  | Circuit Board-Remote        | 1   |
| 7       | 501856  | Nut, M5                         | 3   | 24      | 986148  | Spacer-Grille               | 4   |
| 8       | 591336  | Saddle-Wire Hi Q                | 2   | 25      | 791150  | Panel-Fan Mount - Black     | 1   |
| 9       | 503371  | Washer, Fan Disc 5ID x 10OD Ext | 6   | 26      | 502068  | Clamp-Cable, Little Gripper | 1   |
| 10      | 586733  | Clamp-Cable                     | 1   | 27      | 577089  | Nut, Cable Gripper          | 1   |
| 11      | 501857  | Screw, Pan M5 x 10              | 5   | 28      | 588068  | Loom-3 Pin, Fan V 75        | 1   |
| 12      | 503163  | Screw, Pan M3 x 16              | 6   |         |         | <b>NOT ILLUSTRATED</b>      |     |
| 13      | 591337  | Insulator-Control Box           | 1   |         |         |                             |     |
| 14      | 591281  | Terminal-Block                  | 1   |         |         |                             |     |
| 15      | 591302  | Blade-Barrier Strip             | 2   |         | 588507  | Terminal-Utilux (6.3mm)     | 1   |
| 16      | 503164  | Nut, M3                         | 6   |         | 591310  | Terminal-Utilux, (4.8mm)    | 1   |
| 17      | 591320  | Vdr-Control Box                 | 1   |         |         |                             |     |



## Three Speed Fan - Double End

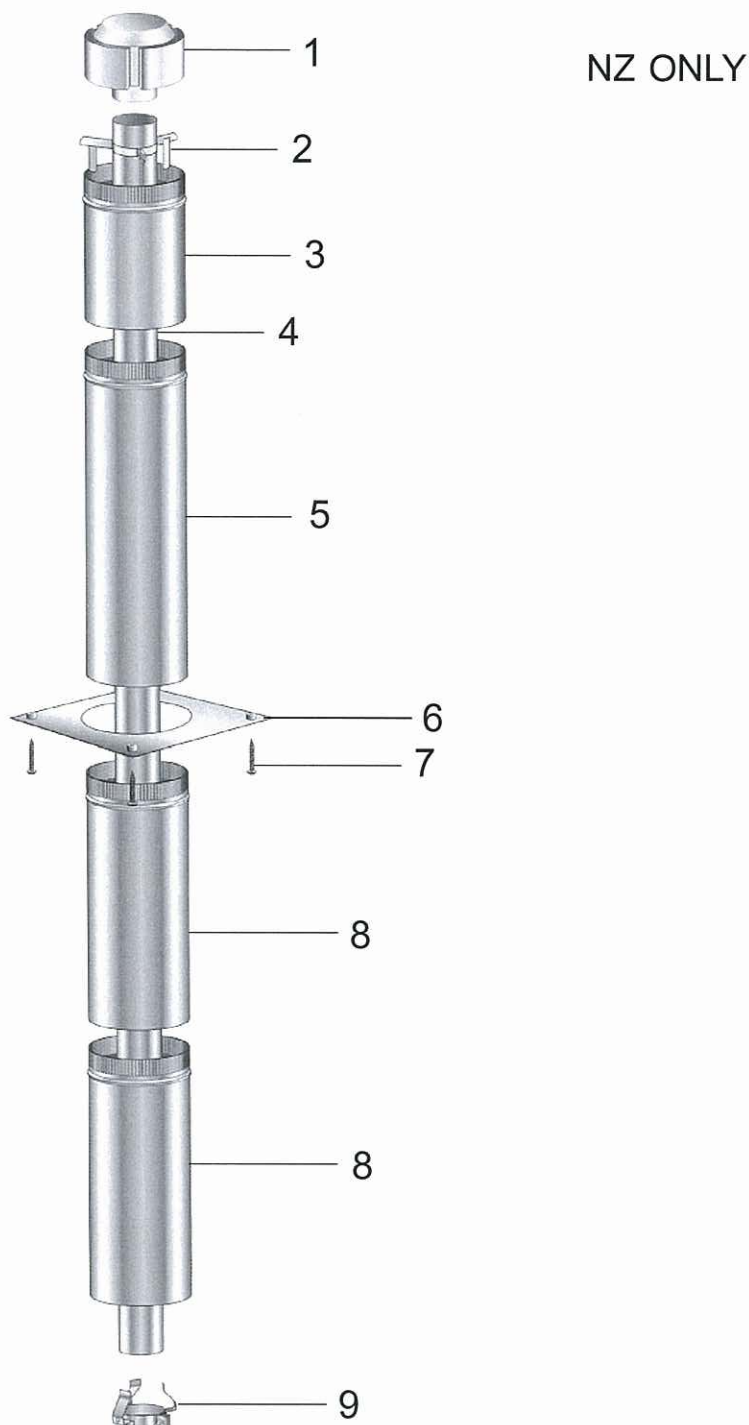


### Part No. 791613

| Item No | Part No | Description                      | Qty | Item No | Part No | Description                      | Qty |
|---------|---------|----------------------------------|-----|---------|---------|----------------------------------|-----|
| 1       | 991608  | Heatshield-Fan                   | 1   | 10      | 503671  | Grommet-Fan,<br>14mm OD x 6mm ID | 8   |
| 2       | 503630  | Screw; S/T 10 x .4               | 3   | 11      | 990265  | Plate-Mounting, Fan              | 1   |
| 3       | 501580  | Screw, Pan M5 x 16               | 4   | 12      | 790394  | Fan-3 Speed, Double End          | 1   |
| 4       | 501330  | Washer, Flat 5 x 10 x 1          | 4   |         |         | <b>NOT ILLUSTRATED</b>           |     |
| 5       | 503511  | Nut, Nyloc M5 HEX                | 4   |         |         |                                  |     |
| 6       | 501856  | Nut, M5 HEX Pressed              | 2   |         |         |                                  |     |
| 7       | 503106  | Washer, Flat 5Nm - Brass         | 2   |         |         |                                  |     |
| 8       | 503371  | Washer, Fan Disc 5ID x 10 OD Ext | 1   |         | 591270  | Loom-Adaptor, Fan                | 1   |
| 9       | 501857  | Screw, Pan M5 x 10               | 1   |         | 591321  | Insulator-Utilux                 | 4   |



## Freestanding B Vent Gas Flue Kit - Black



### Flue Kit Part Number: 588656

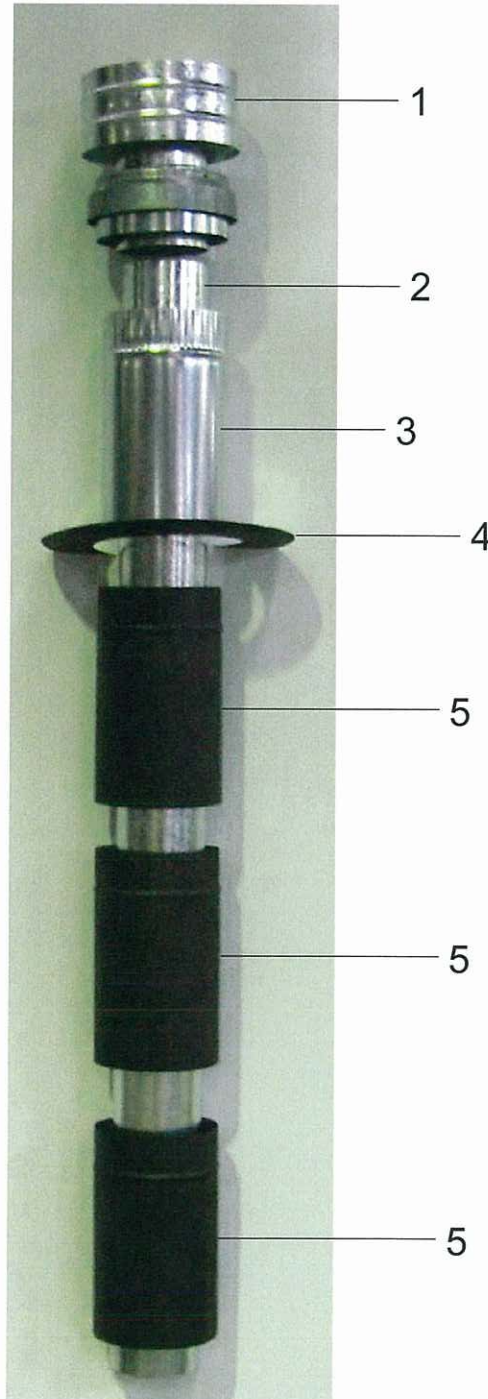
| Item No | Part No | Description                                       | Qty | Item No | Part No | Description                    | Qty |
|---------|---------|---|-----|---------|---------|--------------------------------|-----|
| 1       | 551484  | Cowl-Anti Down Draught - 100mm                    | 1   | 5       | 588672  | Kit-Extension-Roof (Unpainted) | 1   |
| 2       | 556095  | Bracket-Top Flue Spacer                           | 1   | 6       | 551504  | Ceiling Plate - Black          | 1   |
| 3       |         | NOT AVAILABLE                                     | 1   | 7       |         | NOT AVAILABLE                  |     |
| 4       | 551482  | Flue Length - 100mm x 1200mm<br>- Stainless Steel |     | 8       | 588677  | Kit-Extension-Room (Painted)   | 1   |
|         |         |   |     | 9       | 551491  | Spacer-Flue                    | 1   |





# Freestanding B Vent Gas Flue Kit - Black

Based on Flo-met flue systems - for other flue systems, contact flue manufactures



AUST ONLY

## Flue Kit Part Number: 552323

| Item No | Part No | Description                       | Qty | Item No | Part No | Description                  | Qty |
|---------|---------|-----------------------------------|-----|---------|---------|------------------------------|-----|
| 1       | 556681  | Cowl -B Vent                      | 1   | 4       | 556680  | Ceiling Plate - Black        | 1   |
| 2       | 586097  | Flue Length - 900mm - Galvanised  | 1   | 5       | 552330  | Kit-Extension-Room (Painted) | 1   |
| 3       | 552331  | Extension Kit - 900mm (Unpainted) | 1   |         |         |                              |     |

When ordering PLEASE QUOTE PART NUMBER & Description, NOT Illustration No.  
Determine right or left hand side from standing in front of door



| <b>Part No</b>         | <b>Description</b>                  | <b>Qty</b> |
|------------------------|-------------------------------------|------------|
| <b>NOT ILLUSTRATED</b> |                                     |            |
| 556123                 | Paint, Touch Up - Black             | 1          |
| 503054                 | Tie-Nylon Cable                     | 4          |
| 591620                 | Lead-Spark, 6.4mm x 2.8 mm x 510    | 1          |
| 591619                 | Lead-Flame, 4.8mm x 4.8 mm x 510    | 1          |
| 590273                 | Loom-Earth, Piezo                   | 1          |
| 788666                 | Embers-Medium Coals, 12 Oz          | 1          |
| 591623                 | Loom- Ignition Module               | 1          |
| 503662                 | Retainer Cable-Jet Press            | 1          |
| 791413                 | Kit-Remote Control RF               | 1          |
| 791685                 | Kit-Conversion - Natural Gas to LPG | 1          |
| 791686                 | Kit-Conversion - LPG to Natural Gas | 1          |
| 991597                 | Burner Tray-Complete                | 1          |
| 790369                 | Panel-Brick, Curved                 | 1          |
| 591626                 | Owners Manual                       | 1          |