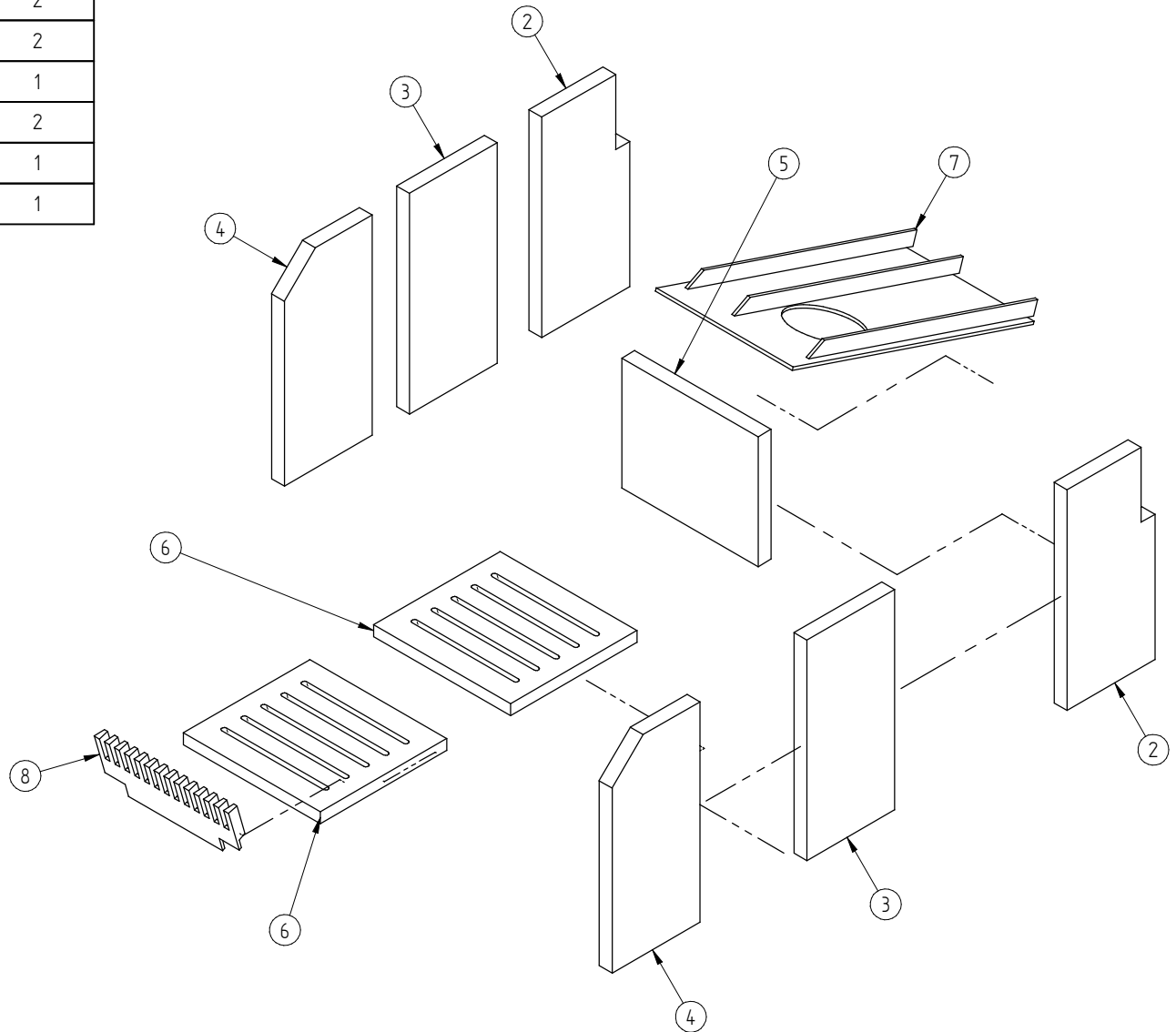
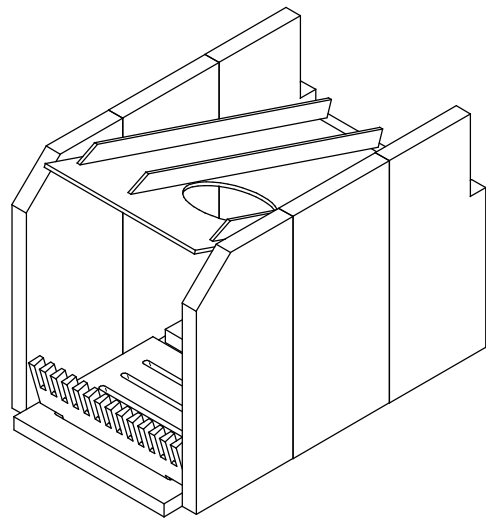


This drawing is the Property of GLEN DIMPLEX AUSTRALASIA LTD. All dimensions are outside/outside unless otherwise stated.

Item Number	Document Number	Title	Material	Quantity
1*	ECSAC103	FIRE BOX ASSEMBLY		1
2	ECS00633	SIDE BRICK BACK	Vermiculite	2
3	ECS00632	SIDE BRICK MIDDLE	Vermiculite	2
4	ECS00630	SIDE BRICK FRONT	Vermiculite	2
5	ECS00628	BACK BRICK	Vermiculite	1
6	ECS00743	GRATE FRENCH		2
7	ECSAC109	BAFFLE PLATE ASSEMBLY		1
8	ECS00555	COAL BAR	Cast Iron	1

PART NUMBER : ECS_SPARES			REVISION LEVEL :
Amendment	Date	By	<b>TOLERANCES :</b> Decimal Places: 0 ± 0.5 0.0 ± 0.2 Angles Degrees: 0 ± 5°



**GLEN DIMPLEX AUSTRALASIA LTD**  
 38 HARRIS ROAD, EAST TAMAKI, AUCKLAND, NEW ZEALAND  
 Ph 09 274 8265, Fax 09 274 8472, Email : Eng\_Office@glendimplex.co.nz

Customer : METALFAB	Drawing No :	Drawn : jimmc	Date : 17/03/2008	Chk'd By :
Part Name: SPAREPARTS - ESSE COOKER	Material :	Modified : jimmc	Date : 17/03/2008	
				Finish : Natural