

PRODUCT: STOVES Sterling 1100E-AU
 COLOUR: Blk
 CODE: **444448216**
 ISSUE: 1
 DATE: 22/02/2007

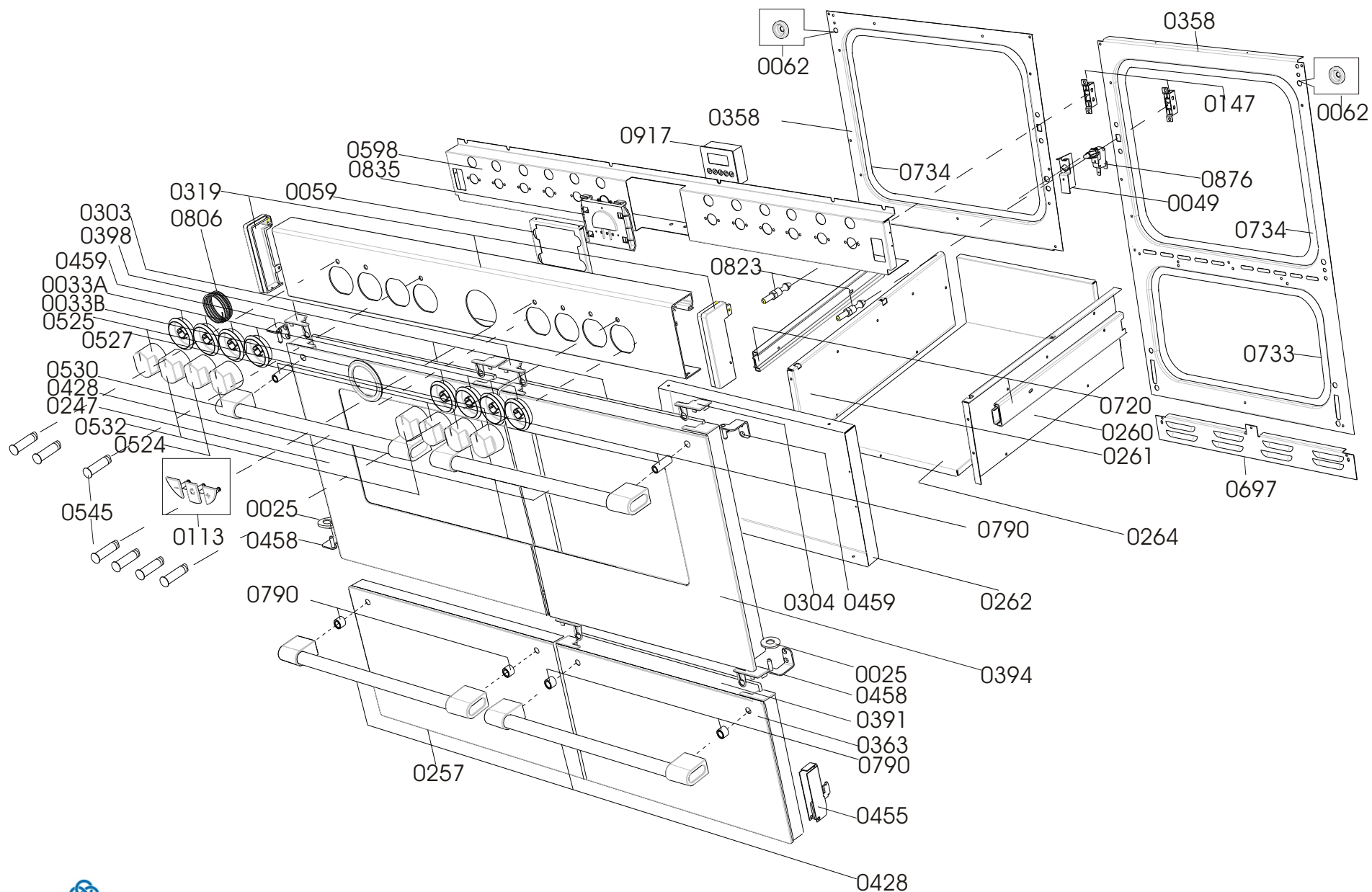


Key	Product	Product Description	TCO	Replace	Date	Qty
0017	082819500	BADGE stoves (65mmx26mm)				1
0033	082585900	BEZEL control knob Sta				8
0033	082586100	BEZEL timer s/stl effect				1
0455	082905901	HINGE drop down door (Zan)				2
0057	502895700	BRACKET plinth				1
0057	502895700	BRACKET plinth				1
0813	502925501	STIFFENING STRUT				1
0813	502925501	STIFFENING STRUT				1
0835	082906000	COUNTER SUPPORT				2
0113	082585602	BUTTON timer rh s/stl effect				1
0113	082585601	BUTTON timer ctr s/stl effect				1
0113	082585600	BUTTON timer lh s/stl effect				1
0147	082533800	CATCH roller (nylon)				1
0147	082533800	CATCH roller (nylon)				1
0182	082101600	CLIP tubular				2
0182	082101600	CLIP tubular				2
0206	531805900	COVER assy flue duct				1
0207	562895805	COVER plinth outer 1100 Blk				1
0207	562802005	COVER plinth inner 1100 Blk				1
0247	012899055	DOOR assy ovn gls rh(glued)blk				1
0257	012899061	DRAWER front assy (glued) blk				1
0260	562594700	DRAWER side rh blk				1
0261	562594701	DRAWER side lh blk				1
0262	562594802	DRAWER front inner 550 blk				1
0286	082354202	ELEMENT base slow cook 160w				1
0286	082230600	ELEMENT base KB				1
0287	081561404	ELEMENT grill dual 2.9kw				1
0289	082840802	ELEMENT Ceramic hp large 240v				1
0294	081561600	ELEMENT oven fan (2.5kw) KB				1
0294	081561600	ELEMENT oven fan (2.5kw) KB				1
0296	082807300	ELEMENT 110W warming zone				1
0297	082840800	ELEMENT Ceramic dia 140				1
0303	082557900	END CAP LH door ext Blk				1
0303	082557900	END CAP LH door ext Blk				1
0303	082557900	END CAP LH door ext Blk				1
0304	082557901	END CAP RH door ext Blk				1
0304	082557901	END CAP RH door ext Blk				1
0304	082557901	END CAP RH door ext Blk				1
0314	082233400	FAN cooling DP203A-2123LST-C31				1
0314	082233400	FAN cooling DP203A-2123LST-C31				1
0315	082868400	FAN oven circulation				1
0315	082868400	FAN oven circulation				1
0319	012586224	FACIA assy C1100E Blk				1
0349	081830501	FOOT levelling long				2
0349	081830501	FOOT levelling long				2
0363	012899065	STORAGE door assy (glued) blk				1
0391	082578603	GLASS inner door				1
0394	012899051	DOOR assy ovn gls lh(glued)blk				1

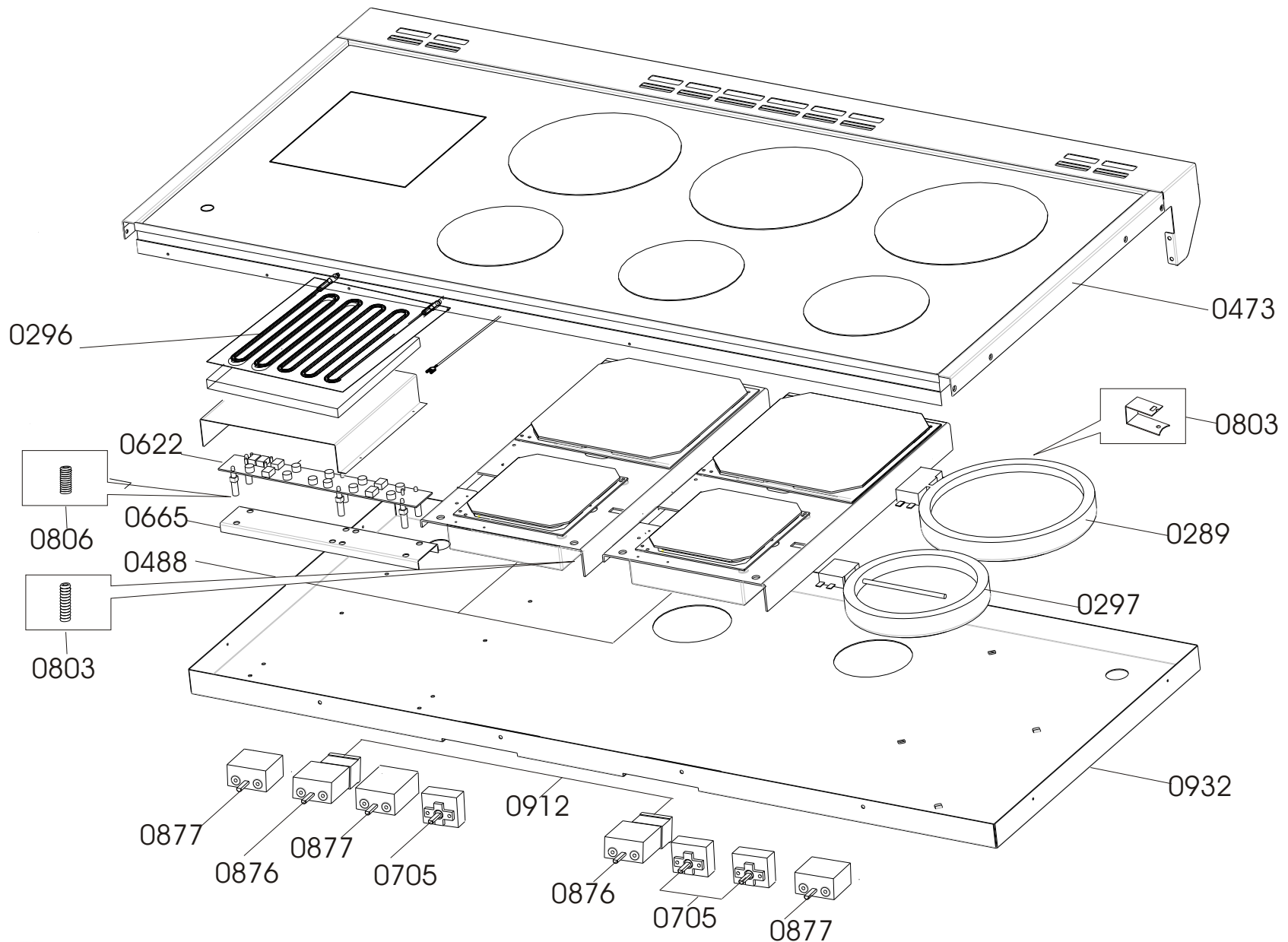
0398	082911311	GLASS inner main oven				1
0398	082911311	GLASS inner main oven				1
0411	602517700	GRILL PAN				1
0411	602517700	GRILL PAN				1
0412	082469100	GRIP handle grill pan				1
0420	082917304	GUIDE shelf large lh 1979				1
0420	082917304	GUIDE shelf large lh 1979				1
0421	082917305	GUIDE shelf large rh				1
0421	082917305	GUIDE shelf large rh				1
0424	082731800	HANDBOOK Sterling 1100e-au				1
0427	082283705	HANDLE grill pan 1041				1
0428	012816303	HANDLE assy 458crs Sta				1
0428	012816303	HANDLE assy 458crs Sta				1
0428	012816303	HANDLE assy 458crs Sta				1
0428	012816303	HANDLE assy 458crs Sta				1
0458	081793800	HINGE bottom door KB				1
0458	081793800	HINGE bottom door KB				1
0459	081793801	HINGE top KB				1
0459	081793801	HINGE top KB				1
0473	012874600	HOTPLATE glass assy 1100				1
0488	082599601	INDUCTION unit (cable 750)				2
0524	082585803	KNOB elec mf selector Sta				1
0525	082585805	KNOB elec warmer Sta				2
0527	082585814	KNOB hotplate electric sta				2
0530	082585804	KNOB elec grill Sta				1
0532	082585802	KNOB elec thermostat Sta				1
0532	082585812	KNOB thermostat fanned sta				1
0544	082905500	LAMP oven				2
0544	082905500	LAMP oven				2
0545	082816701	LENS neon				7
0557	082044000	LOCKNUT foot				2
0557	082044000	LOCKNUT foot				2
0574	082121900	NEON 1550.561.077.00				1
0574	082816700	NEON lamp assy				7
0622	082599500	PCB touch control 600TCI				1
0622	082814400	PCB fan control				1
0697	562044129	PLINTH front Blk				1
0697	562044129	PLINTH front Blk				1
0705	082590900	REGULATOR energy MPA-V02SV				1
0705	082590800	REGULATOR energy MP V01SV				2
0713	082571201	RETAINER inner glass rh bottom				1
0713	082571202	RETAINER inner glass top				2
0713	082571200	RETAINER inner glass lh bottom				1
0720	082254801	RUNNER drawer (400mm)				2
0728	080180676	SCREW m6x30 pp mc				2
0728	080180676	SCREW m6x30 pp mc				2
0728	080180676	SCREW m6x30 pp mc				2
0730	082839503	SEAL hotplate/facia				0.5
0733	081797201	SEAL grill KB				1.2
0734	082501400	SEAL oven 50m roll				1.4
0734	082501400	SEAL oven 50m roll				1.4
0749	082917403	SHELF main oven 452 wide 1970				2
0749	082917403	SHELF main oven 452 wide 1970				2
0790	082828801	SPACER handle 12.5mm long				2
0790	082828803	SPACER handle 4.9mm long				2

0790	082828801	SPACER handle 12.5mm long				2
0790	082828803	SPACER handle 4.9mm long				2
0791	082554300	SPACER oven fan				3
0791	082554300	SPACER oven fan				3
0803	082599700	SPRING induction unit				5
0803	082157501	SPRING element				4
0806	082599800	SPRING touch control				4
0806	081511001	SPRING COMPRESSION CONTROL BZ				8
0823	082494402	STRIKER door (silver)				1
0823	082494402	STRIKER door (silver)				1
0876	082578200	SWITCH door ROLD				1
0876	082558100	SWITCH rotary EGO 42.03000.017				1
0876	082558101	SWITCH rotary oven42.02400.008				1
0877	082348400	SWITCH selector 42.00000.024				1
0877	081811500	SWITCH 6 heat wp 46.27266.500				2
0880	081545403	SWITCH thermal cut-out 150c				2
0912	082558001	THERMOSTAT EGO 55.17069.090				2
0917	082595701	TIMER programmer LED143/001				1
0945	562586611	TRIM vent grill 1100 blk				1
0967	082518800	WIRE TRIVET grill pan				1
0991	030116310	WHEEL ASSY				1
0991	030116310	WHEEL ASSY				1

ELECTRIC RANGE DOOR CUPBOARD DRAW, FACIA ASSEMBLY.



ELECTRIC RANGE HOTPLATE ASSEMBLY.



ELECTRIC RANGE CAVITY ASSEMBLY.

