

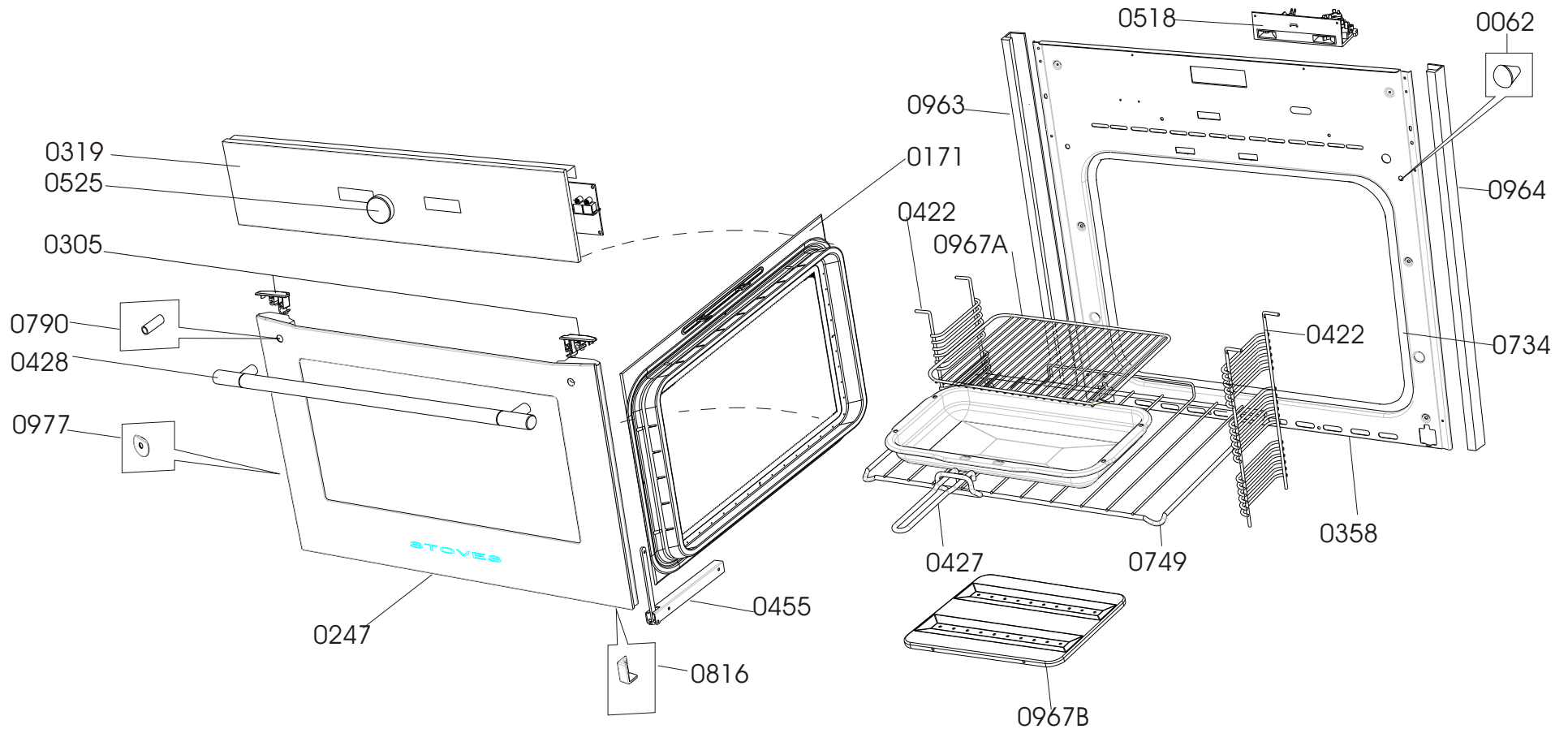
PRODUCT: STOVES 600 Genus-AU Blk
 COLOUR: Blk
 CODE: **444447976**
 ISSUE: 2
 DATE: 02/03/2007



Key	Product	Product Description	TCO	Replace	Date	Qty
0139	082573500	CAPACITOR 1.2 microfarad				1
0171	082570401	CHOKE assy (door inner glass)				1
0287	082571700	ELEMENT dual grill 2.8kw				1
0293	082571900	ELEMENT dual base 2.8kw				1
0294	082571800	ELEMENT oven fan 2.3kw				1
0305	082849100	ENDCAP set LH/RH Blk				1
0314	082851200	FAN SMALL POWERCOOL 133mm				1
0314	082566500	FAN stirrer assy				1
0322	012891060	FASCIA glass ass Genus 600 Blk				1
0374	082574300	GASKET RF 6.5mm				4
0374	082574200	GASKET RF 12mm				2
0374	082574300	GASKET RF 6.5mm				1
0394	012899079	DOOR assy ovrn gls (glued) blk				1
0411	602517700	GRILL PAN				1
0411	602517702	GRILL PAN (pristine)	01/05/2007			1
0412	082469100	GRIP handle grill pan				1
0422	082917312	GUIDE oven shelf 2013				2
0424	082731600	HANDBOOK GENUS 600-AU				1
0427	082283705	HANDLE grill pan 1041				1
0428	082575400	HANDLE assy				1
0448	502853700	HEATSHIELD				1
0455	082821011	HINGE oven (rapid cook)				2
0518	082850200	INTERLOCK MECH AND HARNESS				1
0525	082574900	KNOB control	15/01/07			1
0525	082574901	KNOB control				1
0544	082573200	LAMP OVEN				2
0565	082573400	MAGNETRON				1
0571	082570000	MOTOR oven stirrer				1
0572	082572300	MATCHPLATE ASSY.				1
0574	082573600	DIODE 350mA				1
0620	082922300	POWERBOARD AND HARNESS 600				1
0710	082574501	RTD top oven				1
0728	080180676	SCREW m6x30 pp mc				2
0728	080180696	Screw M4x30 pozi csk bl zinc				2
0734	082818901	SEAL oven				1.6
0749	082917403	SHELF main oven 452 wide 1970				2
0790	081826900	SPACER 600gtf/c 200				4
0790	082575200	SPACER motor				3
0790	082501002	SPACER handle (Vision unclad)				2
0791	082566700	SPACER fan				1
0816	082510800	STOP inner glass				2
0880	082808901	SWITCH thermal L100c				1
0880	082914200	SWITCH thermal cutout L120C				1
0880	082914300	SWITCH thermal w/spot 70c				2
0963	082916703	SIDE TRIM LH 600 bright alum				1
0963	082849703	SIDE TRIM LH 600bright alum	02/05/2007			1
0964	082849704	SIDE TRIM RH 600bright alum	02/05/2007			1
0964	082916704	SIDEW TRIM RH 600 bright alum				1

0967	082518800	WIRE TRIVET grill pan				1
0967	602819100	METAL TRIVET grill pan				1

ELECTRIC/MICROWAVE COMBI DOOR ,FACIA , FRONT FRAME ASSEMBLY.



ELECTRIC/MICROWAVE COMBI BUILT-IN CAVITY ASSEMBLY.

