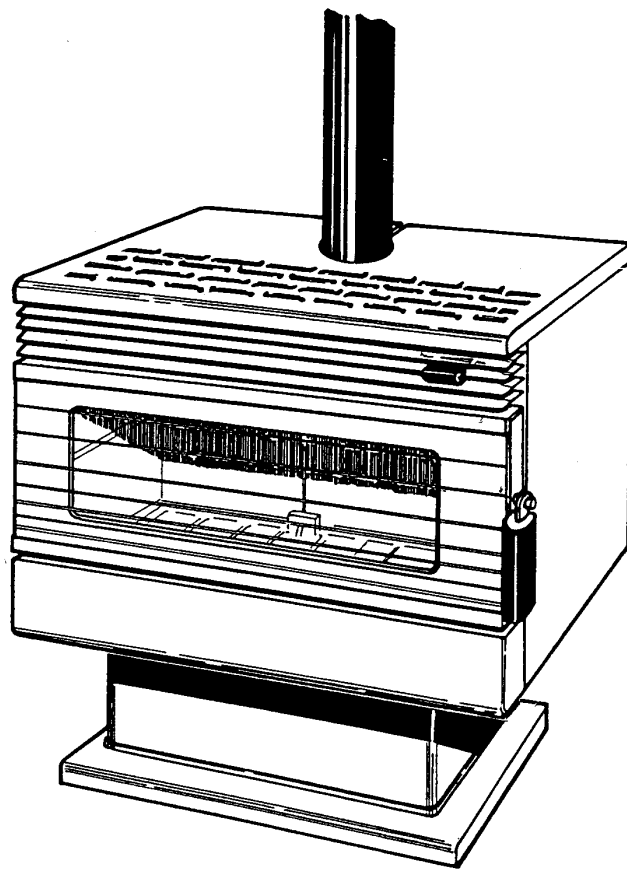


# Masport<sup>®</sup>

## WOODFIRES



## INSTALLING AND OPERATING INSTRUCTIONS

Publication Part No. 586181

**THE INSTALLATION AND OPERATING INSTRUCTIONS IN THIS  
MANUAL APPLY TO THE FOLLOWING WOODFIRES:-**

**MASPORT LE 3000, 3000/S, 3000/W  
MASPORT LE 5000, 5000/S, 5000/W  
PROVINCIAL 5  
PROVINCIAL 6**

## **CONTENTS**

INTRODUCTION .....	3
<b><u>FREE STANDING MODELS - INSTALLATION</u></b>	
UNPACKING .....	4
ASSEMBLY .....	4
POSITIONING .....	5,6
HEARTH REQUIREMENTS .....	7
CORNER HEARTHS .....	8
HEARTH CONSTRUCTION .....	9
INSTALLING THE FLUE .....	9
FIXING IN POSITION .....	9
FINAL ASSEMBLY .....	10,11
INSTALLING A WATER HEATING BOOSTER .....	11
<b><u>IN-BUILT MODELS - INSTALLATION</u></b>	
IDENTIFICATION .....	12
UNPACKING .....	12
INSTALLATION REQUIREMENTS .....	12
FIREPLACE .....	12
MANTEL-SHELF .....	12
HEARTH .....	12
INSTALLING THE FIREBOX AND FLUE .....	13
<b><u>OPERATING INSTRUCTIONS - ALL MODELS</u></b>	
BASIC INFORMATION .....	14
LIGHTING UP .....	14
OPERATING HINTS .....	15
SAFETY .....	15
MAINTENANCE .....	16

**THIS BOOK CONTAINS IMPORTANT INFORMATION.  
PLEASE KEEP IT IN A SAFE PLACE FOR FUTURE REFERENCE.**

## **INTRODUCTION**

In the interests of your safety, most building regulatory Authorities in Australia and New Zealand require any woodfire installation to comply with the relevant Safety Standard. In Australia, that Standard is AS 2918-1990, while in New Zealand the Standard is NZS 7421-1990. They may also have local requirements in addition to those in the Standard so you should approach your local Building Authority before commencing installation to establish whether you will require a Permit and whether you will need to meet extra requirements. All MASPORT Woodfires have been tested to ensure that they will meet the appropriate safety Standard requirements if the instructions in this book are followed.

All the woodfires covered by this manual have been tested to prove compliance with the emission Standards AS 4013/ NZS 7403 : 1992.

**WE RECOMMEND THAT THE INSTALLATION OF YOUR MASPORT WOODFIRE BE CARRIED OUT BY A SUITABLY QUALIFIED SPECIALIST INSTALLER.**

PLEASE ENSURE THAT ONLY COMPONENTS APPROVED BY MASPORT ARE USED FOR THE INSTALLATION, as substitutes may adversely affect performance and might nullify compliance with the requirements of your Standard.

This recommendation is endorsed by Australian Standard 3869 - 1991, which states:-

**WARNING: THE APPLIANCE AND FLUE SHALL BE INSTALLED IN ACCORDANCE WITH AS 2918 AND THE APPROPRIATE REQUIREMENTS OF THE LOCAL BUILDING REGULATORY AUTHORITY.**

**CAUTION: MIXING OF APPLIANCE OR FLUE SYSTEM COMPONENTS FROM DIFFERENT SOURCES OR MODIFYING THE DIMENSIONAL SPECIFICATION OF COMPONENTS MAY RESULT IN HAZARDOUS CONDITIONS. WHERE SUCH ACTION IS CONSIDERED, THE MANUFACTURER SHOULD BE CONSULTED IN THE FIRST INSTANCE.**

AS 3869 - 1991 also states, in relation to woodfires using water heating devices:-

**WARNING: DO NOT CONNECT TO AN UNVENTED HOT WATER SYSTEM. INSTALL IN ACCORDANCE WITH THE RELEVANT AUSTRALIAN STANDARD FOR INSTALLATION OF HOUSEHOLD TYPE HOT WATER SUPPLY SYSTEMS AND THE APPROPRIATE REQUIREMENTS OF THE RELEVANT REGULATORY AUTHORITY.**

Obviously installers in New Zealand should follow this advice, looking to the appropriate New Zealand sources for guidance.

Some areas in New Zealand have been designated as Clean Air Zones. The MASPORT Provincial 5, LE 3000/S, LE 3000/W, LE 5000/S and LE 5000/W models are suitable for use in those areas, provided that:-

- (I) No modifications are made to the appliance.
- (II) Any water heating device has been factory fitted or is a Masport accessory retro-fitted strictly in accordance with the instructions on page 11.
- (III) No coal is used as a fuel.

## **FREE STANDING MODELS** (See page 12 for in-built models)

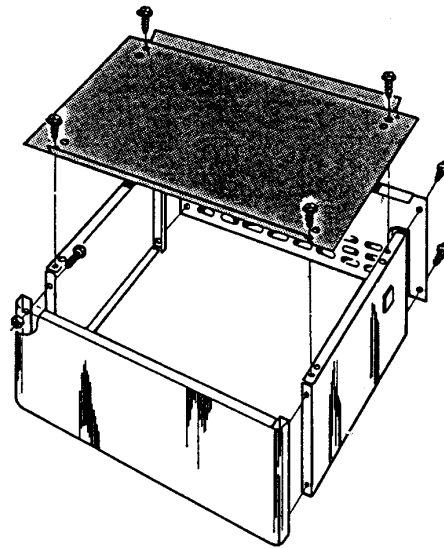
### **UNPACKING**

After removal of the shipping carton, open the door and take out all loose parts. You may find it more convenient to lift the door from its hinges at this stage.

Remove and discard the four bolts holding the woodfire to the shipping pallet. Remove the woodfire from the pallet, lifting only from the lower edge of each side. **DO NOT LIFT BY THE LOWER FRONT PANEL OR ANY OTHER POINTS.**

### **ASSEMBLY OF FREE-STANDING MODELS**

First assemble the front, two side panels and rear panel of the pedestal as illustrated. If your woodfire has a fan, this will later be fitted instead of the rear pedestal panel. Do not assemble the fan to the pedestal assembly at this stage. Screw the bottom heat shield to the top of the pedestal assembly with the turned up ends facing away from the pedestal. Check that the pedestal surround and trim (if any) will fit snugly around the assembled pedestal before tightening all assembly screws fully.

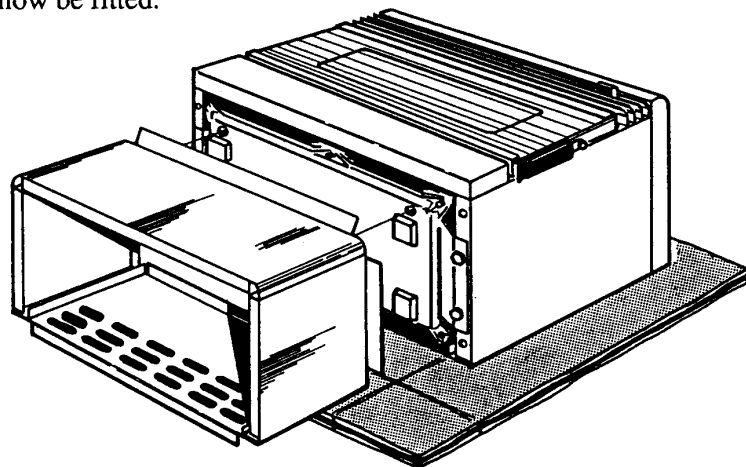


Roll your woodfire carefully onto its back, using the flattened carton to protect the floor if necessary.

Taking care that the rear (flat) panel of the pedestal will be at the rear of the woodfire, attach the pedestal to the firebox using the four 6mm bolts provided.

Roll your woodfire carefully back into the upright position.

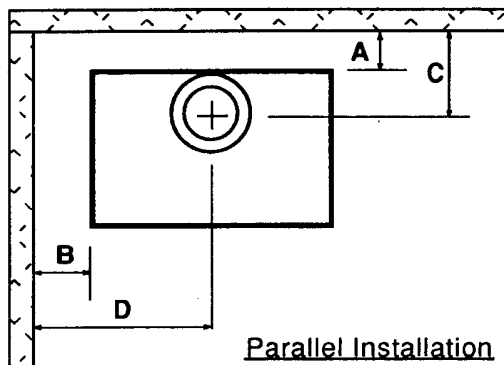
The fan can now be fitted.



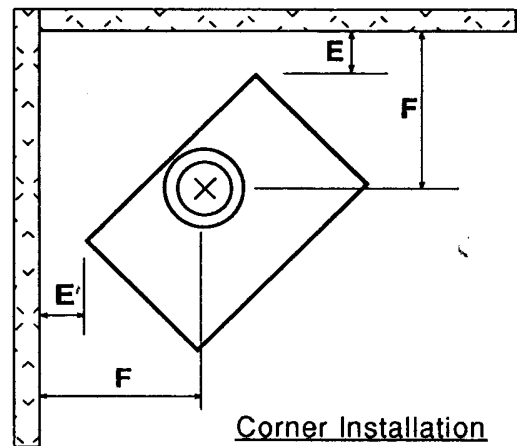
## POSITIONING YOUR FREE-STANDING WOODFIRE

Free-standing woodfires must not be installed in a fireplace or alcove, or under a ceiling of less than normal height. No wall or other immovable object may be closer to the front of the woodfire than one metre.

Finalise the installation position for your woodfire only after considering the necessary stove-to-wall distances (See Table below) and checking the practicability of installing the flue system through the ceiling and roof. As a guide, the flue shielding in the ceiling space will have a diameter of approximately 300mm, and this must be installable without the removal of structural beams. (Contd. on page 6)



Parallel Installation



Corner Installation

## AUSTRALIA

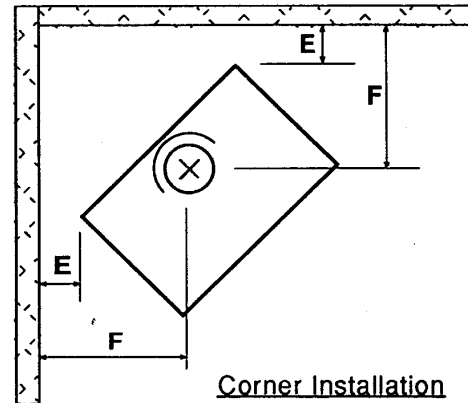
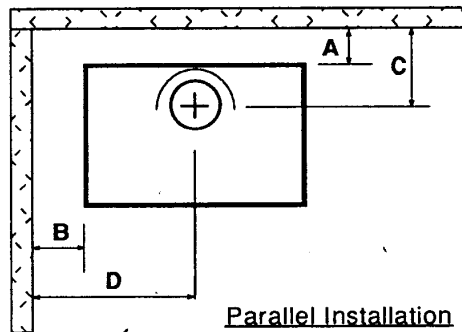
MINIMUM WOODFIRE TO WALL DISTANCES (mm) WITH THE APPROPRIATE FLUE HEAT SHIELD						
	A	B	C	D	E	F
Masport LE3000	150	300	320	630	100	455
Masport LE5000	150	300	320	630	100	455
<b>RECOMMENDED FLUE OPTIONS:-</b> Shamic Sheetmetal - FK 1A 6" with decorative heat shield. Floate Metal - Super Single with decorative heat shield. Acorn Metal - Safe "T" with 120° polished heat reflector. Statewide Heating - M1 with 180° heat shield. Benja Pty Ltd - Benja MK II with decorative heat shield.						

## POSITIONING YOUR FREE-STANDING WOODFIRE (Contd.)

Detailed dimensional requirements for the flue installation are included with every MASPORT approved flue system.

If a water heating accessory is to be fitted, a further positioning restraint is the need to be close to your hot water storage cylinder (See page 11).

Flue installations other than strictly vertical ones are possible. See AS 2918 or NZS 7421 for information on flues passing through walls and eaves.



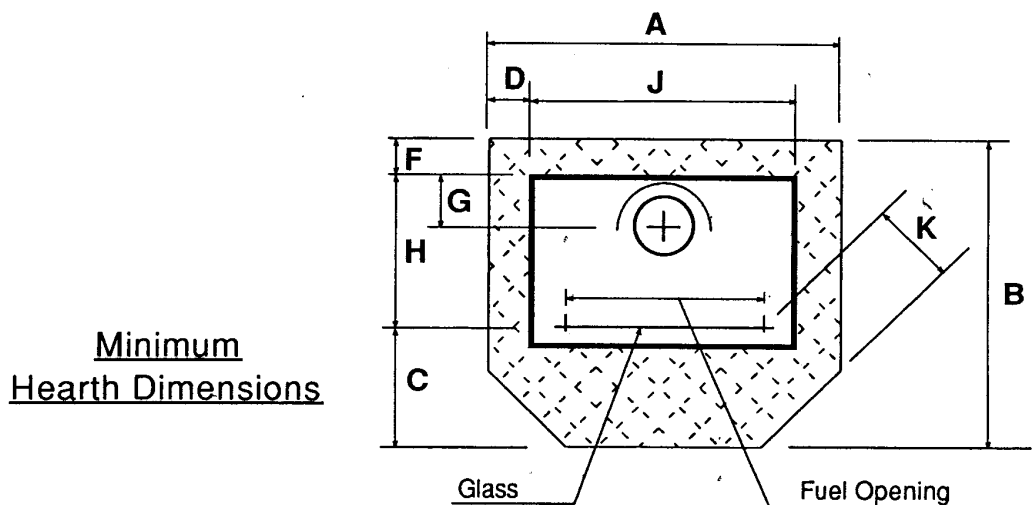
## NEW ZEALAND

MINIMUM WOODFIRE TO WALL DISTANCES - Millimetres												
	WITH FLUE HEAT DEFLECTOR						WITHOUT FLUE HEAT DEFLECTOR					
	A	B	C	D	E	F	A	B	C	D	E	F
Masport LE3000/S, /W	100	325	270	655	50	405	475	400	645	730	300	655
Masport LE5000/S, /W	100	325	270	655	50	405	475	400	645	730	300	655

## HEARTH REQUIREMENTS — FREE-STANDING WOODFIRES

Unless your woodfire will be standing on a fireproof floor which extends at least 150mm from the sides and rear of the cabinet, and 400mm forward from the door glass, it will be necessary to provide floor protection in the form of an insulating hearth. See page 9 for construction details.

Having now decided exactly where your woodfire will be installed, you will be able to estimate the minimum size of hearth you will need. Where the minimum requirements bring the edge of the hearth nearly to a wall, it is better to extend the hearth to meet the wall. In fact it is prudent to increase all dimensions by moving up to the next available standard hearth size so that precise positioning of the woodfire on the hearth will not be needed.



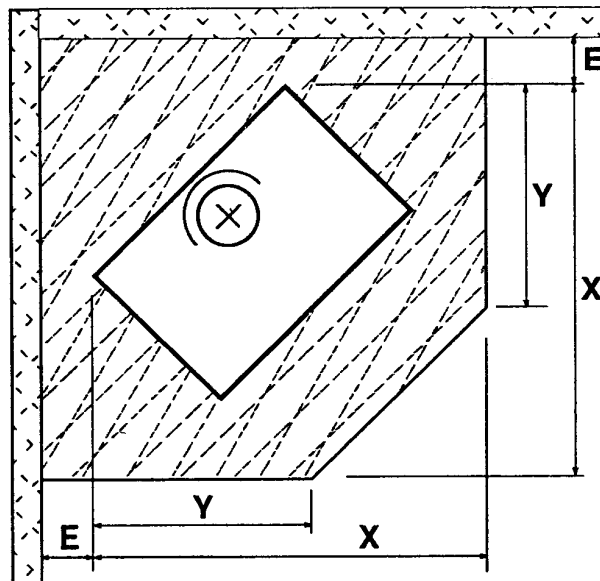
AUSTRALIA	A	B	C	D	F	G	H	J	K
Masport LE3000	875	740	300	108	0	170	440	660	200
Masport LE5000	875	740	300	108	0	170	440	660	200

NEW ZEALAND	A	B	C	D	F	G	H	J	K
Masport LE3000/S, /W	875	990*	450*	108	100	170	440	660	200
Masport LE5000/S, /W	875	950*	410*	108	100	170	440	660	200

\* INCREASE BY 75mm IF HEARTH TOP IS NOT 50mm ABOVE FLOOR

## CORNER HEARTHTHS

While the information in the previous section details the MINIMUM size of hearth necessary to comply with the Safety Standards, it will frequently be desirable to use a somewhat larger area of hearth for æsthetic considerations. A particular example is when the woodfire is installed diagonally in a corner. A neater appearance will result if the hearth is carried right into the corner and is shaped as shown below. The chart facilitates calculation of the MINIMUM dimensions required for hearths of this shape. The minimum allowable values for dimension 'E' are given in the tables on pages 5 and 6. If 'E' is greater than the minimum value, naturally the overall hearth size requirements increase accordingly.



Special Corner  
Hearth Arrangement

	Australia		New Zealand	
	X	Y	X	Y
Masport LE3000	900	615	—	—
Masport LE5000	900	615	—	—
Masport LE3000/S, 3000/W	—	—	1000*	730*
Masport LE5000/S, 3000/W	—	—	950*	675*

\* Increase by 50mm if hearth top is not 50mm above floor level.

NOTE: YOUR SPECIFIC MEASUREMENT FOR 'E' MUST BE ADDED TO 'X' AND 'Y' TO FIND THE APPROPRIATE MINIMUM HEARTH DIMENSIONS.

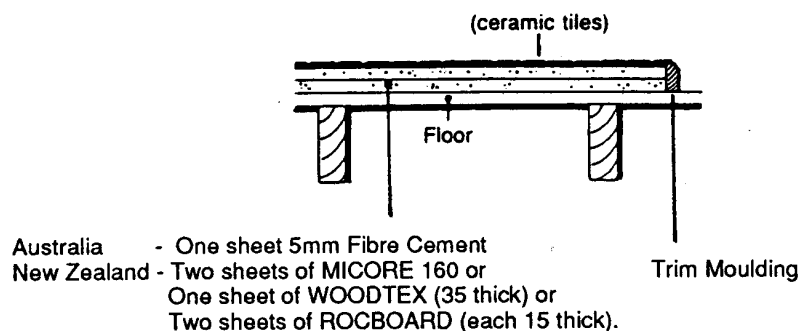
SEE PAGE 5 OR 6 FOR MINIMUM VALUES OF 'E'.



## HEARTH CONSTRUCTION

The hearth will need some insulating qualities. In Australia the minimum requirement is a 5mm fibre cement sheet placed directly on the floor. If there is no intention of lifting and moving the hearth, it is usually fastened directly to the floor. In New Zealand, the insulation can be provided by two layers of MICORE 160 (each 16mm thick), or one layer of WOODTEX (35mm thick), and both these materials give adequate protection for solid timber or particle board flooring. In both countries, a durable top surface will be needed to resist damage from dropped embers. Obvious choices are slate, bricks and ceramic tiles. Gaps between the pieces of the top surfacing material should be grouted to prevent embers from penetrating. A trim moulding can be fitted around the edges to provide a neat finish.

Constructions which are NOT suitable as insulating hearths are bricks and concrete when they are in contact with the flooring material.



## INSTALLING THE FLUE

You **MUST** use a flue system which is approved by MASPORT and which complies with AS 2918 - 1990 or NZS - 7421 1990 as appropriate. The flues and flue heat shields recommended in Australia are detailed in the table on page 5. In Australia, flue heat shielding must be fitted unless all heat sensitive material is at least 450mm away from the flue surface.

In New Zealand we recommend the use of genuine Masport flue kits. The flue **MUST** be installed in accordance with the detailed instructions accompanying it. A polished 180° stainless steel heat deflector, 1200mm long, (Part No 551337) must be fitted at the back of the flue, directly above the stove, unless all heat sensitive material nearby is separated from the woodfire by at least the distances shown in the right hand half of the table on page 6.

In New Zealand, all Masport LE models must have a cap fitted at the top of the flue heat deflector to control ceiling temperatures. This cap is an integral part of Masport Flue Heat Deflector Part No 551337. If an earlier Masport Flue Heat Deflector (Part No 584665) is used, it must be fitted with a separate cap, Part No 584842.

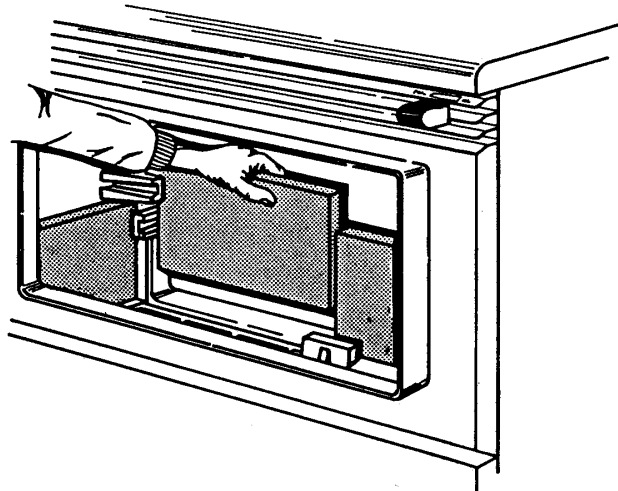
## FIXING THE WOODFIRE IN POSITION

Once the flue shielding system has been installed through the ceiling and roof, the woodfire can be placed in its approximate position on the hearth, and the flue pipes installed. Finally adjust the stove position making sure the flue is vertical and that the necessary minimum woodfire-to-wall distances are being achieved. In New Zealand, NZS 7421 requires that the woodfire and hearth be secured to prevent shifting in the event of an earthquake. With the style of insulating hearth suggested, this is best done by fastening the woodfire right through the hearth to the floor, using at least two 10 gauge screws or the equivalent sizes of coach bolts or spring toggle fasteners. Use the two holes in the outwardly facing flange of the rear pedestal panel unless a fan is to be fitted. In that case, use the two holes inside the pedestal at the rear.

## **FINAL ASSEMBLY (All free-standing models)**

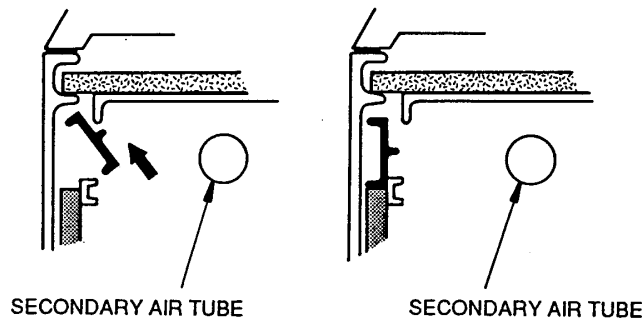
Before lighting the woodfire, the internal firebox components must be placed in their correct positions. No force should be required to fit them, and they can be removed, if desired, for flue cleaning. However, they **MUST** be in place, and in good condition, when there is a fire in the firebox.

The Masport LE is supplied with four fire bricks. Two bricks fit across the back of the firebox wall, and one brick fits against the wall at each end of the firebox. Each of the bricks is fitted in the same way. Angle the brick into position with its top corner behind the upper retaining lug, then swing the brick until it is parallel to the wall with its bottom corner behind the lower retaining lug. Lower the brick into position.



The cast iron back baffle, when in position, sits along the top edges of the rear bricks. Holding it by the rib on its front face, swing it up and back into position as illustrated, lowering its bottom corners behind the top retaining lugs of the rear bricks.

Note: The LE3000/W and LE 5000/W models have the water booster in place of the back baffle.



Check that the firebox top baffle is correctly placed on top of the supporting shelves at each end of the firebox, and that it is back far enough for the two front corners to drop behind the retaining ribs on top of the shelves. Do not use any force when fitting the top baffle as it can be broken by rough handling.

In cases where a pedestal surround is to be fitted, simply fit the trim into the surround and slide the assembly onto the pedestal, keeping the pedestal in contact with the hearth all the time to avoid the risk of marking the finish on the upper part of the pedestal.

Finally, refit the door, if necessary, and spread the sand provided evenly over the bottom of the firebox before lighting the first fire.

## INSTALLING A WATER HEATING BOOSTER

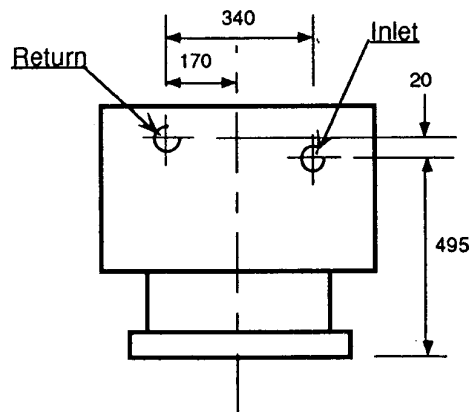
All Masport LE woodfires, installed in New Zealand (including those in Clean Air Zones) can have a water booster tube. Fitting a water booster tube and its matching air metering plate converts an LE/S model into an LE/W. If a tube is retro-fitted, it will be necessary to change the air metering plate to ensure that emission requirements are still met. The air metering plate is fitted directly behind the sliding plate that controls the stove heat output, and it can be reached by removing the air control knob (remove the screw underneath), and lifting off the air grille. The correct metering plate for a water booster woodfire is Part No 986178, and it has three holes punched in its left hand end. These can be seen without any dismantling, by sliding the air control to the right and looking through the louvres just above the door.

Water booster tube holes are provided in the back wall of the firebox but are sealed off with plugs. These plugs will be found behind the cast iron rear baffle which is removed and discarded when fitting a water booster. All plumbing work must meet the requirements of NZS 4603 unless local building regulations dictate otherwise. Pipe connections are 1" BSP and the pipe positions on the rear are illustrated below. Special piping methods must be followed to ensure effective circulation, and the hot water cylinder will need to have an internal riser pipe to two thirds of the cylinder height to discourage unwanted water circulation through the piping system when the woodfire is not burning. This internal riser pipe must be connected to the return pipe from the woodfire.

For effective circulation, the pipes from the rear of the woodfire should rise at the rate of one in five toward the storage cylinder, and ideally the cylinder should be within three metres of the woodfire. Detailed piping instructions are included in the kit, but two safety requirements deserve special mention.

**THERE MUST BE NO NON-RETURN OR SHUT-OFF VALVES IN THE PIPES BETWEEN THE WOODFIRE AND THE STORAGE CYLINDER.**

**A WOODFIRE FITTED WITH A WATER HEATING BOOSTER MUST NOT BE FIRED UNLESS IT IS CONNECTED TO A VENTED STORAGE CYLINDER FILLED WITH WATER FREE TO CIRCULATE.**



Water Pipe Connection Positions  
(viewed from the rear)

## **IN-BUILT MODELS - PROVINCIAL 5&6**

### **IDENTIFICATION**

The Provincial 5 is equipped for New Zealand emission requirements, while the Provincial 6 suits Australian requirements. There are some cabinet and fascia differences, but the two models can be distinguished by checking the air control slide. The Australian model (Model 6), has six small identification holes punched in the air control slide, while the New Zealand model (Model 5) has five small holes.

### **UNPACKING**

The Provincial is packed in two cartons, one containing the firebox, the second containing the fascia.

After removal of the shipping carton from the firebox, retrieve the door handle from the plastic bag just inside the flue socket, and fit it to the door. Open the door and take out all loose parts. You will find it convenient to lift the door from its hinges at this stage.

Carefully tip the firebox onto its back, using the flattened carton and the cardboard insert to support it in a level position. Remove the shipping pallet by unscrewing the shipping bolts.

### **INSTALLATION REQUIREMENTS**

Please read the INTRODUCTION on page 3, as this applies also to in-built models.

#### **FIREPLACE.**

For a safe installation the following matters must be attended to.

- The fireplace and chimney must be thoroughly cleaned and checked for soundness.
- The chimney must not connect to a second fireplace.
- The joint between the chimney face and the fireplace surround must be checked and sealed to prevent leakage if necessary.
- The fireplace recess must have a non-metallic heat resistant surround extending at least 455mm each side of the recess centreline and up to at least 810mm above the base of the fireplace recess.
- In New Zealand, the fireplace and chimney must comply with all the requirements of NZS 1900 Chapter 7 - 1985, except that the specified separation from timber construction need not be complied with.
- A flue pipe must be fitted right up the chimney, and the space between the flue pipe and chimney must be ventilated at the top. In Australia the area of this vent must be not less than 10,000mm<sup>2</sup>, while in New Zealand it is 13,000mm<sup>2</sup>. The vent must be fitted with means to prevent significant ingress of water and debris.
- Provision must be made for sweeping the flue without any dismantling other than is normally done by the chimney sweep.

#### **MANTEL-SHELF.**

The need for shielding a heat sensitive mantel-shelf depends on two factors. One is the height of its undersurface above the floor of the fireplace recess, and the other is the distance the undersurface projects forward from the face of the fireplace surround. If the mantel-shelf projects not more than 75mm, any height greater than 955mm will be satisfactory without shielding. At heights of 1030mm (Australia) or 1155mm (New Zealand), or greater, the 75mm width restriction no longer applies. Mantel-shelves wider than 75mm, whose heights are between 955 and 1030mm (Australia) or between 955 and 1155 (New Zealand), will need to be protected by a metal heat shield spaced 20mm below the undersurface. The shield must be the full width of the undersurface and the 20mm space must be open at the sides and front to allow air to circulate freely.

#### **HEARTH.**

The required forward extension of the hearth from the face of the fireplace surround is 300mm for both the Provincial 5 & 6. The hearth should be at least 900mm long.

## INSTALLING THE FIREBOX AND FLUE

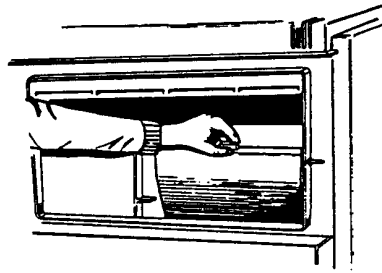
The flue recommended for use in Australia is a stainless steel chimney kit such as the Shamic #4. In New Zealand, we recommend the use of the Masport Provincial flue kit.

Measure the fireplace recess and remove bricks as necessary to accept the firebox outer case which is 560mm high, 590mm wide and 460mm deep. Clear away any rubble and inspect and seal the chimney and fireplace as detailed under **INSTALLATION REQUIREMENTS**.

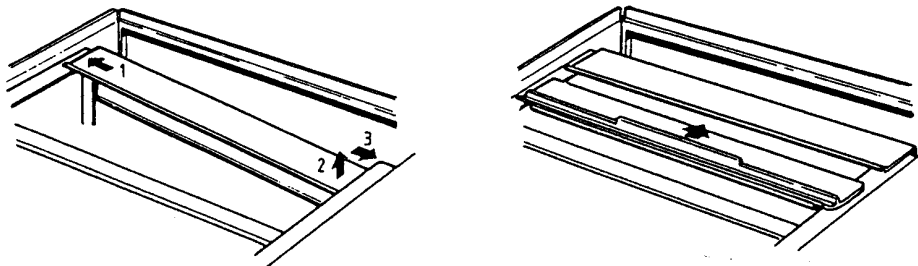
Check the distance back from the face of the surround to the clear space in the centre of chimney where the flue will run to determine whether the flue will mate with the flue socket in the stove without fitting an offset. If an offset is needed, fix it to the lower end of the assembled flue sections in the chimney and lift the flue assembly up while the firebox case is pushed back into the recess. Adjust the case position so that it is level and its flange is sitting snugly against the face of the surround. The flue can then be lowered into position. If space above the case is limited, it may be best to remove the internal castings from the firebox so that the flue can be guided from inside the firebox. The instructions for fixing and weather-proofing the top end of the flue are supplied with the flue kit.

### FITTING THE INTERNAL PARTS.

Three castings fit inside the Provincial woodfires. The rear lower wall fits parallel to the back of the firebox with the angled edge uppermost and the narrower bottom edge resting in the notches cut in the fins across the bottom of the firebox. The top lug fits behind the lower edge of the firebox rear upper wall when it is in place.



The firebox rear upper wall is an 'L' shaped casting which sits on a ledge at the top of each side wall. The short leg of the 'L' lies horizontal and faces the front of the firebox. It is not necessary to remove the secondary air tube to fit or remove this casting. Lift it into position by angling one end up and over its ledge and moving it as far as possible toward the side of the firebox. Lift the other end up over its ledge and bring the casting back to a central position where it will drop into its correct place. As it does so, make sure the lug on top of the rear lower wall is behind the bottom edge of the rear upper wall.



The firebox ceiling has an angled rib which has a step in its height. This angled rib goes on top and toward the front of the firebox (see above). Again this casting rests on top of the ledges. Lift one end over the ledge at a time as before. When finally in position, its rear edge tucks under the 'joggle' along the front edge of the rear upper wall casting.

Finally, screw the fascia into place, fit the firebox door and spread the sand provided in the base of the firebox before lighting the first fire.

# OPERATING INSTRUCTIONS (ALL MODELS)

## BASIC INFORMATION

**DOOR HANDLE.** Provincial woodfires. Swing the door open and shut with the handle in the 1 o'clock position. Latch the door shut by pushing in on the handle and turning it to the 4 o'clock position.

**LE models.** The door is opened by pulling forward on the lower part of the handle. Hold the handle in this forward position when shutting the door, finally pushing it back to vertical to lock the door.

**HEAT OUTPUT CONTROL.** This control has a sliding action. It is clearly marked with a wedge shaped symbol. Slide the control toward the wide end of the wedge to increase the heat output and toward the narrow end to decrease it. A high fire can be shut down rapidly only by starving it of air, and this usually results in undesirable emissions. For this reason, Masport woodfires are designed to settle down to lower heat outputs comparatively slowly.

**OVERNIGHT BURNING.** Old fashioned stove designs attempted to achieve long burn times by starving the fuel of air, thus creating over-rich fuel/air mixtures (much like running a car with the choke out). Modern designs avoid these pollution promoting conditions by eliminating air starvation. This might seem to rule out overnight burning, but such is not the case provided that a suitable fuel is used. Fast burning softwoods have never given satisfactory over-night burning. The new Low Emission Masport woodfires give very satisfactory overnight performance with hardwood type fuels. Thicker fuel pieces give longer burn times.

### **ESSENTIAL ADVICE.**

- Correct installation, the use of only DRY wood and adherence to the following instructions will ensure satisfactory performance.
- MAKE SURE THE MINIMUM WOODFIRE-TO-WALL DISTANCES SHOWN ON PAGES 5 AND 6 ARE ALWAYS MAINTAINED BETWEEN THE WOODFIRE AND ANY HEAT SENSITIVE MATERIAL SUCH AS FURNITURE, WINDOW DRAPES, FIREWOOD ETC.
- DO NOT ATTEMPT TO BURN LIQUID FUELS OF ANY KIND.
- WOODFIRES FITTED WITH WATER HEATING BOOSTERS MUST NOT BE LIT UNLESS THE BOOSTER IS CONNECTED TO A VENTED STORAGE CYLINDER FILLED WITH WATER FREE TO CIRCULATE. THERE MUST BE NO SHUT-OFF OR NON-RETURN VALVES IN THE PIPING SYSTEM.

## LIGHTING UP

Before lighting the first fire, spread the sand provided evenly over the floor of the firebox. Subsequently, always leave sand or ash to the level of the tops of the floor ribs. Slide the heat output control fully to the hot position.

Crumple up a couple of sheets of newspaper and place them in the centre of the firebox. Build a pyramid of thin, dry kindling wood on the paper with some heavier pieces on top. Light the paper at the bottom and when the fire has 'caught', latch the door shut firmly.

**WARNING: DO NOT USE ANY FLAMMABLE LIQUID SUCH AS PETROL, KEROSENE, OIL ETC. TO START OR REKINDLE THE FIRE.**

When the kindling is well alight, open the door slowly and add some larger pieces of wood. Close and latch the door firmly.

Move the heat output control away from the maximum position only after the fire is well established. We recommend running at full heat for 30 minutes after lighting as this will minimise creosote build-up in the flue. The control can then be set wherever desired. A new woodfire should not be run at higher than half setting after the first 30 minutes until it has been used for a total of 8 hours.

The special high temperature paint on the firebox will emit some smoke as it cures during the first few minutes of running. This is quite normal.

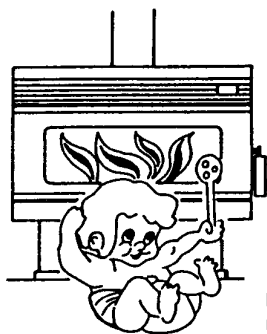
## OPERATING HINTS FOR CLEAN BURNING AND BEST EFFICIENCY

- Use only wood that has been air dried in a sheltered stack, preferably for at least 12 months. If moist fuel must be used, add it only to a really hot fire, mixing it with a large proportion of dry fuel.
- Add fuel in small amounts reasonably often rather than in large quantities infrequently. A large fuel charge drops combustion temperatures undesirably.
- Avoid large smouldering fires. A small intense fire is more efficient.
- Do not burn driftwood or chemically treated wood, as salt will corrode the woodfire and chemicals can create poisonous gases and leave toxic ash.
- When loading fuel, first place several pieces in a front-to-back direction, loading upper layers crosswise on top of them to give good air access to the fuel bed.
- Switch off the circulating fan (if fitted) when the fire is burning at low heat outputs. Use only the slow fan speed at medium heat output, moving to the higher speed(s) only when full heat output has been reached.
- Move the heat control to maximum for a minute or so and turn off the fan before opening the door on a low burning fire. This will clear away any smoke in the firebox.
- Always open the door SLOWLY, and close and latch it shut securely again as soon as possible after re-loading.
- Adjust the door to eliminate any minor leakage. (See MAINTENANCE - page 16). Serious leakage will require a new door seal.

REMEMBER, FOR THE FIRE TO DRAW PROPERLY, AIR MUST BE ABLE TO ENTER THE ROOM WHERE YOUR WOODFIRE IS INSTALLED. YOU MAY HAVE TO LEAVE A DOOR SLIGHTLY OPEN AND PERHAPS A WINDOW ELSEWHERE IN THE HOUSE IF YOUR HOME IS OF MODERN AIRTIGHT CONSTRUCTION. LEAVING THE DOOR OPEN WILL HELP SPREAD WARMTH THROUGH THE REST OF YOUR HOME.

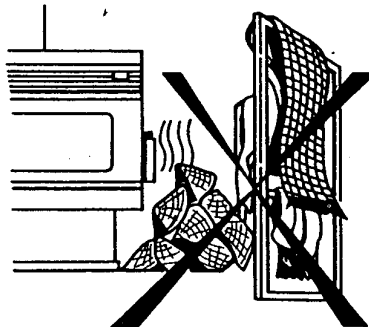
## SAFETY

- Always keep children well away from the woodfire when it is alight.
- Do not put furniture, clothing, firewood or other combustibles near the woodfire. The minimum safe distance is 400mm from the sides and 1 metre from the front.



DO NOT LEAVE CHILDREN UN-ATTENDED NEAR A LIGHTED FIRE.

ALWAYS KEEP CLOTHING, FIREWOOD FURNISHINGS AND OTHER COMBUSTIBLE MATERIALS A SAFE DISTANCE FROM THE FIRE.



- Do not leave the fire unattended with the door open.
- Accidental fires can be caused by wrapping seemingly cold ashes in paper. It is much safer to place ashes outside in a metal container with a close fitting lid.
- If a fire is burning up inside the flue, slide the heat output control to the low heat position and call the Fire Service. DO NOT OPEN THE WOODFIRE DOOR.
- If you have had a flue fire, inspect your flue for damage before lighting another fire.
- Do not modify your woodfire in any way without obtaining written permission from the Manufacturers.
- Do not use the woodfire if the glass is broken. Replace it only with the correct ceramic glass, available from your MASPORT dealer.

## MAINTENANCE

### ASH REMOVAL.

This should be necessary only very occasionally. Simply shovel out any excess, always leaving a bed of sand or ash to the tops of the ribs.

### CLEANING THE GLASS.

A good hot fire will burn away any deposits left from a long slow burn. If desired, a proprietary oven cleaner can be used.

### CLEANING THE CABINET.

A damp rag with a touch of household detergent is sufficient to maintain the finish.

### ADJUSTING THE DOOR LATCH.

The door latch on the Provincial can be adjusted to overcome settling of the door gasket by transferring a washer to the other side of the door catch. The LE models are adjusted by rotating the peg which is engaged by the door catch. First undo the lock-nut on the inside of the peg, then rotate the peg to the position where the cam portion gives the right locking pressure. Holding the peg in this position, re-tighten the lock nut. The hinge on the LE models can also be adjusted inwards if necessary. Be careful to move the hinge only a millimetre or so, and move it the same amount top and bottom to maintain an even pressure on the door gasket.

### CLEANING INSIDE.

If you wish to clean the flue or clear away creosote debris, the internal components can be removed easily. (See installation instructions). We recommend that you check the condition of all internal components at least once a season to make sure they are still serviceable.

### FIREBOX TOP BAFFLE.

The special top baffle material in the LE models operates at very high temperature to ensure clean burning. Take care not to knock and damage it. Should it need replacing, a new one can be slipped into place easily over the top of the secondary air tube without removing any firebox parts. Ensure that it is sitting on top of the supporting shelf at each end and that it pushed right to the back until the front corners drop behind the small retainer ribs on the shelves.

### FAN MAINTENANCE.

The fan bearings should need no attention, but sometimes a fan impeller will collect dust and lint. In this event (perhaps once a year in adverse conditions), the fan should be removed for cleaning. First unplug the fan from the power point. Gently ease off the speed control knob on three speed fan versions, taking care to pull it off squarely. Then remove the four screws which hold the pedestal back plate in position. Move the fan slightly away from the switch end and withdraw it completely. No electrical parts will be exposed and no connections need to be uncoupled. Clean the impeller blades carefully by blowing or vacuuming, and reassemble in the reverse order.

### CLEANING THE FLUE.

This should be needed about once a year or more frequently under adverse conditions. Signs of creosote and soot build-up are inadequate draught, smoking when the door is opened and a dull thud when the outside of the flue is tapped. A blocked flue can be cleaned only by sweeping. DO NOT USE CHEMICAL CHIMNEY CLEANERS.

### FLUE INSPECTION.

Check regularly that the flue is sound, particularly the metal base of enamelled flues.