



**GLEN DIMPLEX  
AUSTRALASIA LTD**

**STAND FOR ‘THE PIZZERIA 600’ OVEN  
ASSEMBLY INSTRUCTIONS**

**WARNING AND CAUTIONS**

1. The stand is made from galvanized steel and is protected with an UV resistant powder coat. Treat it with care during assembly to avoid scratches. Powder coat has different characteristics in terms of light reflection to the Very High Temperature (VHT) paint used on the oven, so, a slight color variation between the two has to be expected.
2. Care should be taken while moving an assembled Pizzeria as the combined weight of the oven and the stand is approximately 205 Kg.
3. The Pizzeria should be moved only when it has cooled down completely. It is recommended that more than one adult person move or lift the Pizzeria and children do not do it on their own.
4. The stand castors are designed for occasional movement of the Pizzeria and should only be moved on a hard flat surface. Due to the heavy weight of the complete unit, it should not be towed on soft outdoor surfaces like grass or patio area with soft tiles.
5. Care should be taken while maneuvering on uneven surfaces with small steps, bumps or slopes. Avoid lifting the oven bolted to the stand using side trays as leverage. Always remove the trays and then move or lift the Pizzeria along with the base frame of the stand.
6. Always make sure the Pizzeria is situated on a flat surface, away from combustible material and brakes applied to lock the unit in place before start using the oven for cooking purposes.

The stand box contains following loose items and a plastic bag of fasteners:

- |  |                                 |
|--|---------------------------------|
| - Installation instruction sheet       | - 4 x Castor Extension Brackets |
| - 2 x Swivel Wheel Castors             | - 2 x Fixed Wheel Castors       |
| - 36 x M6x16 Button Head Socket Screws | - 32 x M6 Nyloc Nuts            |
| - 16 x M8x16 Button Head Socket Screws | - 16 x M8 Nyloc Nuts            |
| - 4 x M10x20 Hex Head Screws           | - 4 x M10 Nyloc Nuts            |
| - 8 x Side Tray Spacers                |                                 |
| - 1 x 4mm Allen Key                    | - 1 x 5mm Allen Key             |

Tools needed for assembly which are not supplied with the stand.

- Spanner or wrench suitable for M10, M8 & M6 sizes i.e 10mm/13mm/17mm.

**PLEASE KEEP THESE INSTRUCTIONS FOR FUTURE REFERENCES.**

Purchased from: ..... ..... ..... Purchasing date: .....	Manufactured by: <b>GLEN DIMPLEX AUSTRALASIA LTD</b> PO Box 58473, Botany Auckland New Zealand <a href="http://www.glendimplex.co.nz">www.glendimplex.co.nz</a>
---	--

## **Installation Procedure**

Make sure a large open area is used for assembly of the Pizzeria stand. Place cardboard or a blanket on a flat floor to protect and to avoid damaging or scratching powder coated panels.

**Step 1** - Place left side panel with flange face down and bottom shelf with flange on the ground and bolt together with 2 x M6 screws and nyloc nuts . Add right side panel to the other side and bolt it in the same way.

Refer diagram 1.

**Step 2** - Turn assembly carefully so that it rests on it's bottom panel. Bolt front panel with 4 x M6 screws & nyloc nuts. Make sure the front/rear panel is inside the side panel flange as shown in diagram 2. The rear panel will need 6 x M6 screws & nuts. Fill two empty holes on front with 2 x M6 screws and nuts.

**Step 3** - Make sub-assemblies for fixed and swivel castors using castor extension bracket, 4 x M8x16 Screw and 4 x Nyloc nuts. Make sure that button head of the screw is inserted from the bottom side as shown in the diagram 3.

The castor screws must be very tight.

**Step 4** - Carefully turn stand frame assembly, so that it rests on front or rear panel. Fit one fixed and one swivel caster each using 1 x M10 bolt & a nyloc nut which should be inserted from the bottom face and 2 x M6 screws & nyloc nuts that should be inserted from the side in to the side panel. Refer diagram 4.

**Step 5** - Turn the stand frame assembly to put fixed and swivel castors. Make sure that two fixed or two swivel castors are either on left or right side of the stand.

**Step 6** - Turn the assembly to stand on castors. Fit 4 of black spacers on each side panel for hanging side trays using M6 screws and nyloc nuts. Refer diagram 5

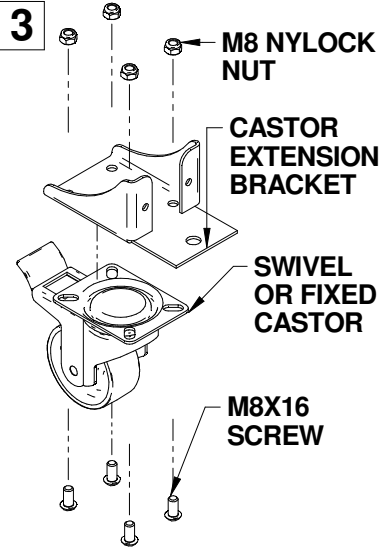
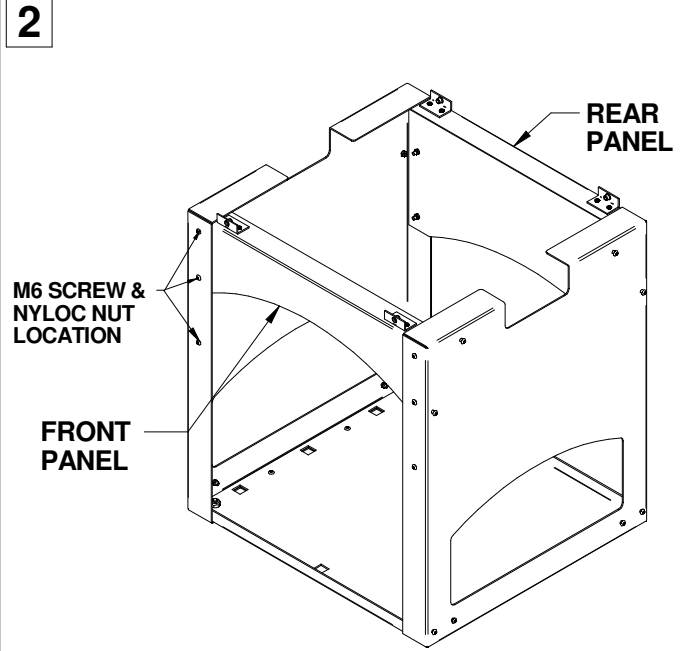
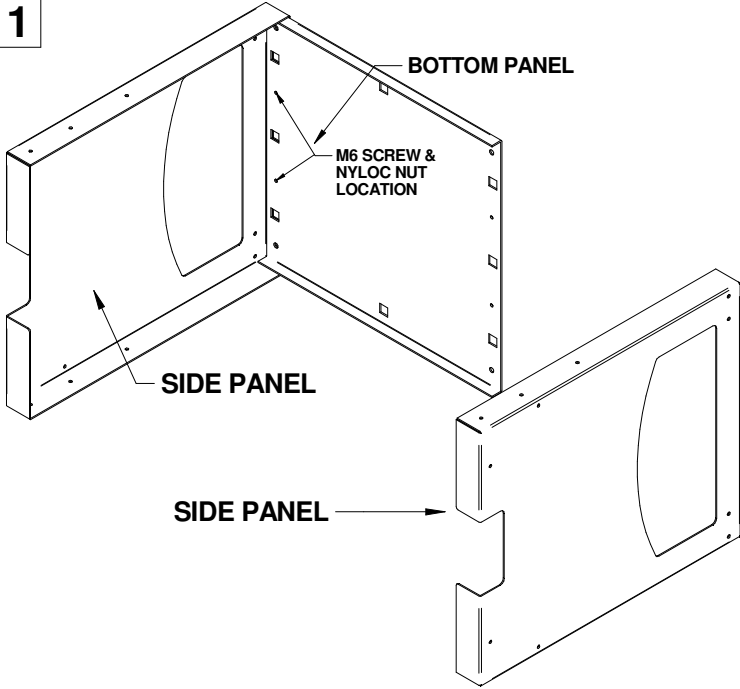
**At this stage check and make sure that all screws are tightened fully, particularly the sub-assembly of fixed and swivel castors.**

**Step 7** - Place stand in desired position observing the recommended clearances to combustible materials for the oven stated in the oven manual. Ensure it is on a leveled surface. Then lock the two swivel castors.

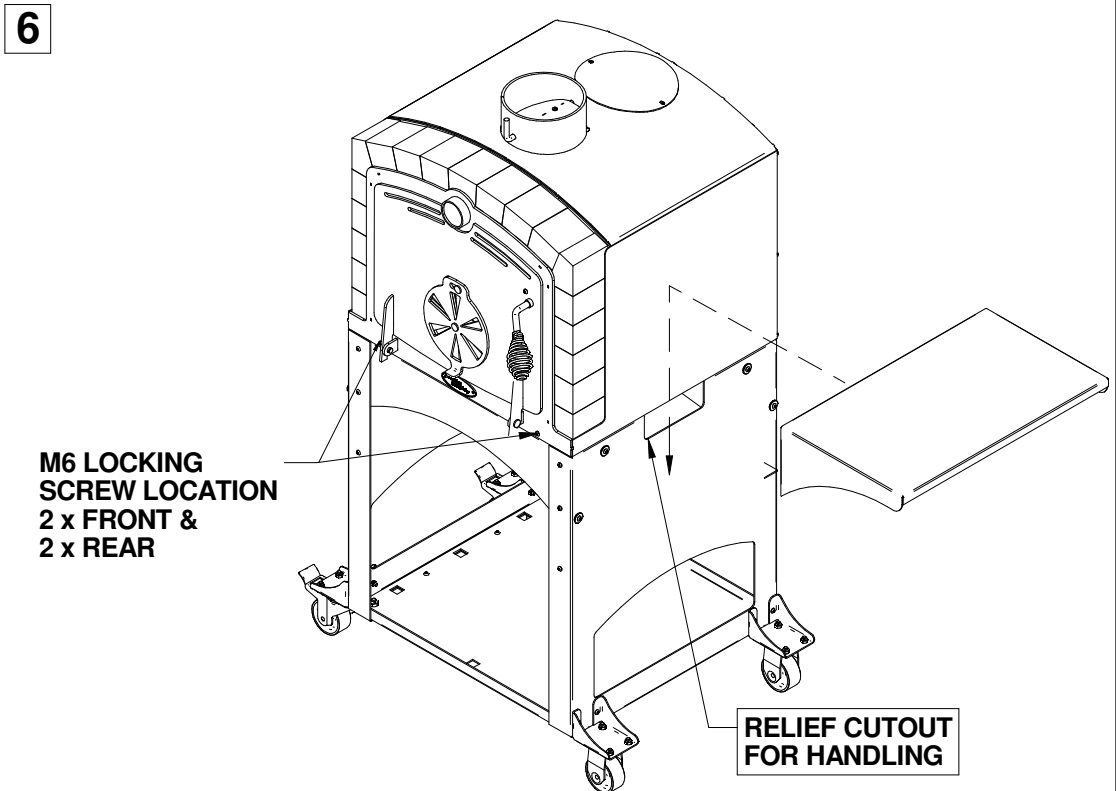
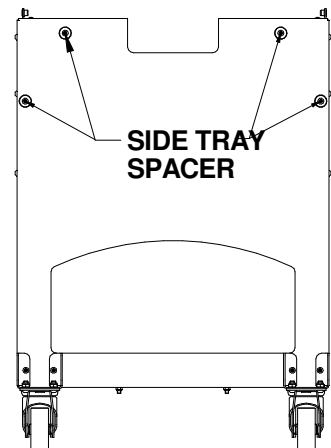
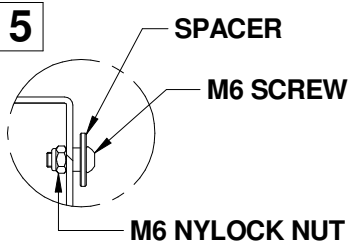
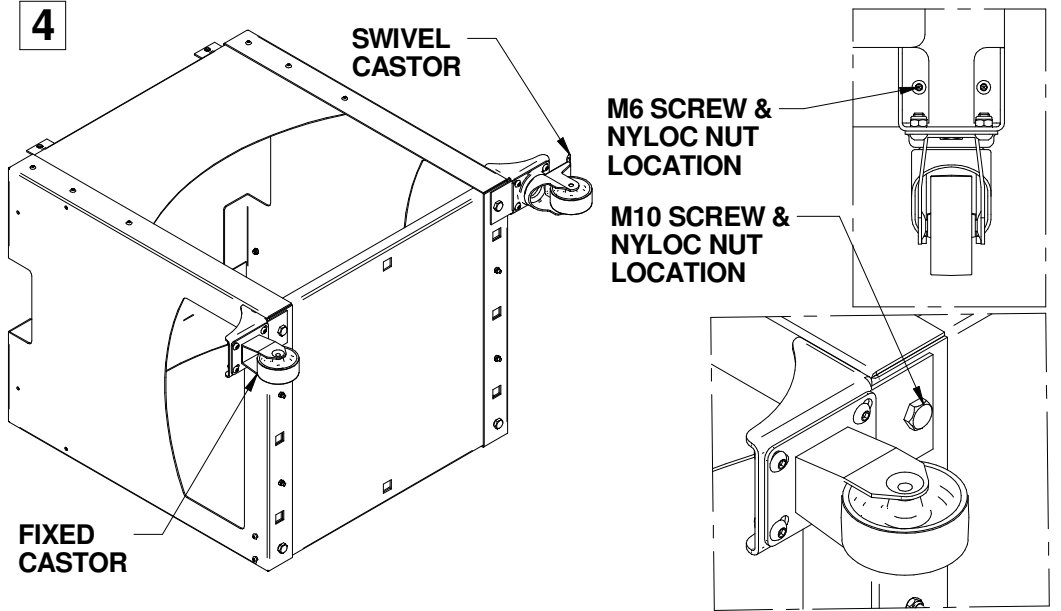
**Step 8** - Carefully place 'The Pizzeria 600' oven on top of the stand. It is recommended that this placement is done by 2 adults. It is a good idea to remove all bricks to reduce the weight of the oven. The empty oven weighs 75 kg, Use gloves or cloth to avoid injuries from edges of the oven while lifting and placement. Position hands with respect to relief cutout on side panel. Centralize the oven on stand and then lock it to the stand at 4 brackets on top of front and rear panel, using 4 x M6 screws. Refer diagram 6

**Step 9** - Hook the side trays into 4 spacers installed on the side panel of the stand.

**Step 10** - Prepare the oven for cooking using detailed procedure given in the owners manual packed with the Pizzeria Oven.



TYPICAL SWIVEL / FIXED POLY CASTOR ASSEMBLY



ITEM NO	PART ID	DESCRIPTION	QUANTITY
1	997133	P600 STAND SIDE TABLES	2
2	997181	P600 STAND - SIDE PANEL	2
3	997184	P600 STAND BASE PANEL	1
4	997191	P600 CASTER EXTENTION	4
5	997173	P600 STAND FRONT PANEL ASSY	1
6	997174	P600 STAND REAR PANEL ASSY	1
7	MIC00083	SIDE TRAY SPACER	8
8	921084	SCREW; M10X20 HEX	4
9	922311	NUT; NYLOCK M10	4
10	921085	SCREW; M8X16 BUTT SOCKET HEAD	16
11	522310	NUT; NYLOCK M8	16
12	921086	SCREW; M6X16 BUTT SOCKET HEAD	32
13	522309	NUT; NYLOCK M6	32
14	597156	CASTOR FIXED 70X90	2
15	597156	CASTOR FIXED 70X90	2

