

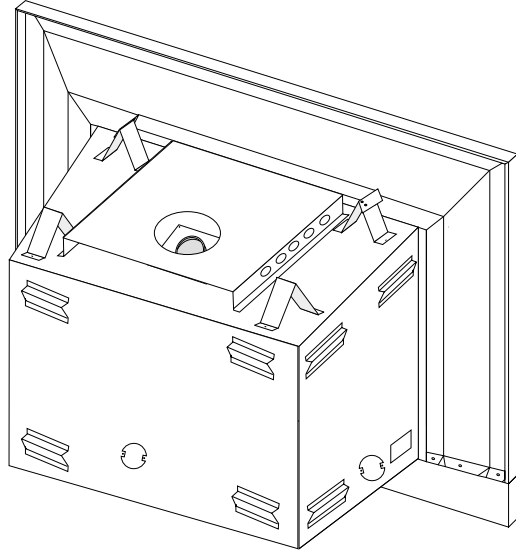
Masport®

## Owners & Installation

# Manual

## U31/I31 GAS INSERT ZERO CLEARANCE KIT

KIT # 410-905



**PLEASE KEEP THESE INSTRUCTIONS FOR  
FUTURE REFERENCE**

**WARNING:**

Improper installation, adjustment, alteration, service or maintenance can cause injury or property damage. Refer to this manual. For assistance or additional information consult an authorized installer, service agency or the gas supplier.

**FOR YOUR SAFETY**

Do not store or use gasoline or other flammable vapours and liquids in the vicinity of this or any other appliance.

Installation and service must be performed by an authorized installer, service agency or the gas supplier.

**FOR YOUR SAFETY**

What to do if you smell gas:

- Do not try to light any appliance
- Do not touch any electrical switch: do not use any phone in your building.
- Immediately call your gas supplier from a neighbour's phone. Follow the gas supplier's instructions.
- If you cannot reach your gas supplier, call the fire department.

Masport Head Office - Australia  
54 Boundary Rd. Braeside  
P.O. Box 553  
Mordialloc 3195  
Ph. (03) 9586-7777  
Fax. (03) 9586-2980

Masport Head Office - New Zealand  
1-37 Mt Wellington Hwy. Panmure,  
P.O. Box 14349  
Auckland 6.  
Ph. (9) 570-9009  
Fax. (9) 527-1294

# TABLE OF CONTENTS

---

## GAS INSERT ZERO CLEARANCE KIT

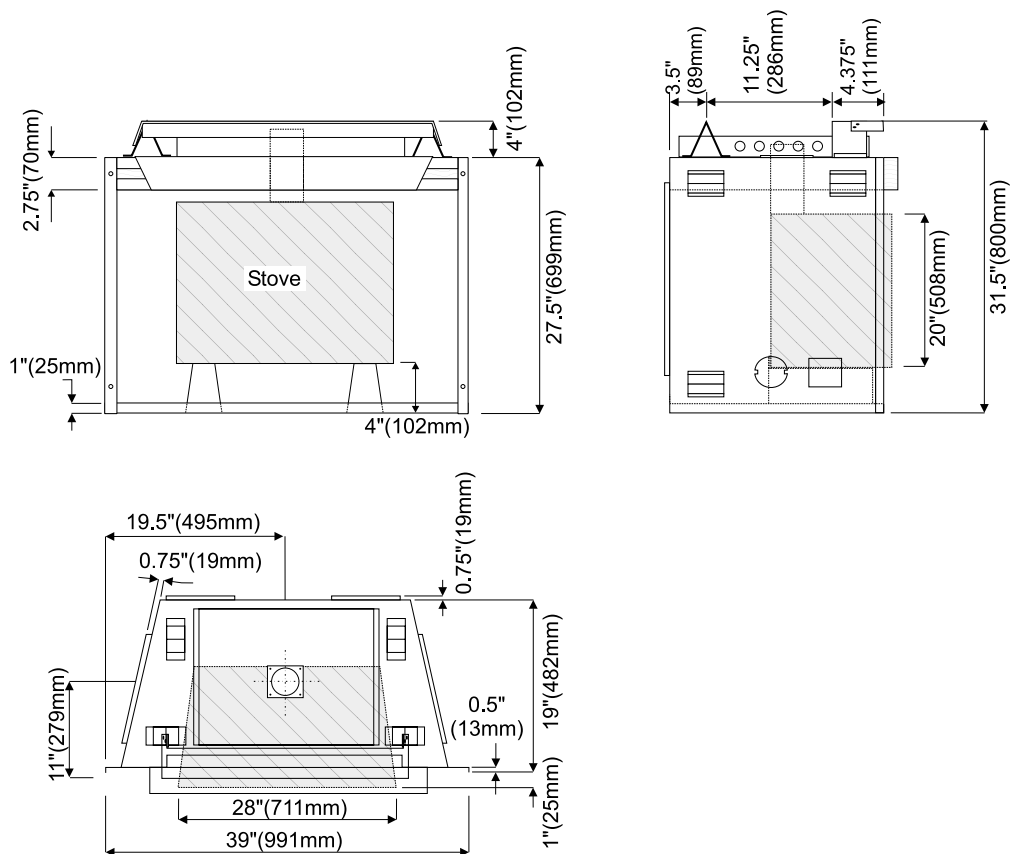
CONTENTS	PAGE
Listings & Code Approvals .....	3
Specifications .....	3
General Information .....	3
Parts .....	3
Clearances to combustibles .....	4
Locating Your Fireplace .....	5
Ashlip .....	5
Ashlip Installation .....	6
Framing .....	6
Kit Assembly .....	7
Venting (Flueing) .....	8
Optional Outside Combustion Air Supply Installation .....	9
Gas supply line .....	9
Electrical Supply .....	9
Faceplate & Trim Installation .....	10
Finished Facing Notes .....	11

# INSTALLATION INSTRUCTIONS

## LISTINGS AND CODE APPROVALS

This gas component has been tested in accordance with National Safety Standards, and has been certified by Warnock Hersey for installation and operation in the United States and Canada as described in these Installation and Operating Instructions. This gas component has also been tested in accordance with AG103 and certified in Australia by the Australian Gas Association for installation in Australia, and New Zealand. Install according to AG 103 and as described in these installation and operating instructions.

Check with your local building code agency before you begin your installation to ensure compliance with local codes, including the need for "permits" and follow-up inspections. If any problems are encountered regarding code approvals, or if you wish clarification on any of the instructions contained here, contact your local dealer.



## Specifications

### GENERAL INFORMATION

This kit consists of factory built parts that require minimal assembly to form the Zero Clearance enclosure for the U31/I31 Gas Insert. The enclosure can then be fixed into a framed combustible construction, and a standard "B-vent" (Australia/New Zealand: an approved twin skin flue) installed on the assembly for the required venting (flueing). The insert can be installed later.

The faceplate will normally overlap on top of the finished wall. Using Kit# 410-905 you can convert the U31/I31 Gas Insert models into highly efficient heat producing Zero Clearance Fireplaces.

### PARTS

#### Included with Kit:

1 (410-905) Main Body Assembly

#### Sold Separately: (Rq)=Required (Op)=Optional

(Rq) 1 (410-906) Zero Clearance Faceplate 44" W x 32" H (1117mm W x 813mm H) includes 4" (102mm) Hearth Trim and faceplate trim

(Op) 1 (410-920) Ash Lip

# INSTALLATION INSTRUCTIONS

## CLEARANCES TO COMBUSTIBLES

The clearances for the Zero Clearance Kit are 0" to combustibles (back, side and floor) but when planning your installation review the clearances required for the Insert (see below) after it is installed in the Zero Clearance Kit. The Zero Clearance Kit must be installed on a flat, solid, continuous surface (e.g. wood, metal, concrete). This may be the floor, or raised up on a platform to enhance its visual impact.

**NOTE: The specified '0' inch floor clearance means that the top surface of the flooring material, i.e. carpeting, tile, etc., must not extend above the bottom edge of the 4" Hearth Trim.**

### Clearances to Combustibles for Insert

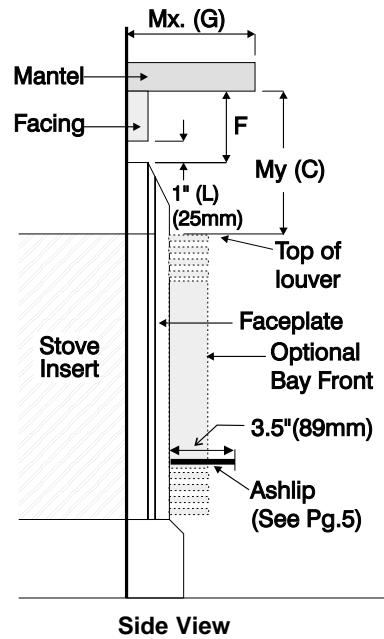
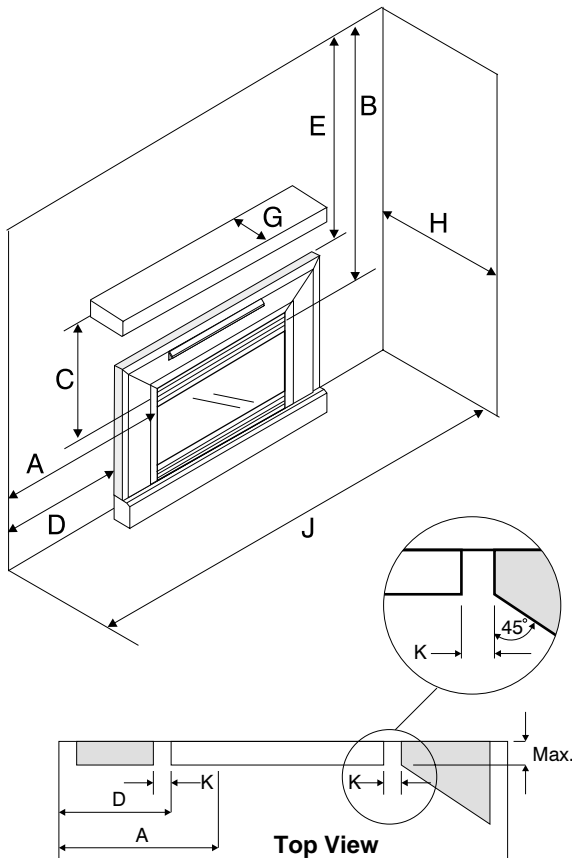
	From Unit	
Sides	A	10" / 250 mm
Drop Ceiling	B	45.75" / 1145 mm
Mantel*	C(My)	22" / 555 mm

	From Surround	
Sides	D	2" / 50 mm
Drop Ceiling	E	37.75" / 945 mm

Mantel Depth*	G(Mx)	11.5" / 290 mm
Max. Alcove Depth	H	36" / 882mm
Min. Alcove Width	J	48" / 1200 mm
Facing (Mantel Leg)		
Side**	K	1" / 25 mm
Top	L	1" / 25 mm

\* Mantel clearances vary with the width of the mantel see the chart "Combustible Mantel Clearances" on this page.

Note: A non-combustible mantel may be installed at a lower height if the framing is made of metal studs covered with a non-combustible board.



*Combustible Mantel Clearances			
Depth (Mx)		Clearance (My)	
(inches)	(mm)	(inches)	(mm)
0" to 3.5"	0mm to 89mm	20"	508mm
to 5.5"	to 140mm	21"	533mm
to 11.5"	to 292mm	22"	559mm

\*\*Max. width of 1"(25mm) at 1"(25mm) from surround, calculate depth at 45° as shown in the diagram.

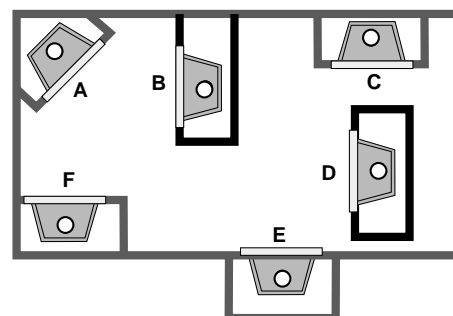
# INSTALLATION INSTRUCTIONS

## LOCATING YOUR U31/I31 FIREPLACE

Due to high temperatures the Insert should be located out of traffic and away from furniture and draperies. Provide a minimum of 48" (1220mm) front clearance to the unit.

This appliance is Listed for bedroom installations when used with a Listed Millivolt Thermostat. Some areas may have further requirements, check local codes before installation.

This unit is not approved for installation into a mobile home.



- |                 |                        |
|-----------------|------------------------|
| a) Cross Corner | d) Island              |
| b) Room Divider | e) Flush with Wall     |
| c) Flat on wall | f) Flat on Wall Corner |

## ASH LIP FOR FLUSH INSTALLATION

- a) An ashlip is mandatory on a U31/I31 Flush (flat window) Insert when installed less than 6" (152mm), (including the 4" (102mm) Hearth Trim) to a combustible floor (see Figure 1). For detailed installation see Faceplate and Trim Installation.

Note: If the ashlip is required with the Flush Front installed, the bottom Gold Trim will NOT fit and cannot be installed.

- b) No ashlip is required when U31/I31 Insert is raised by 2" (51mm). See figure 2.
- c) No ashlip is required on a U31/I31 Insert with a Bay Window and/or Bay Louvers. See figure 3.

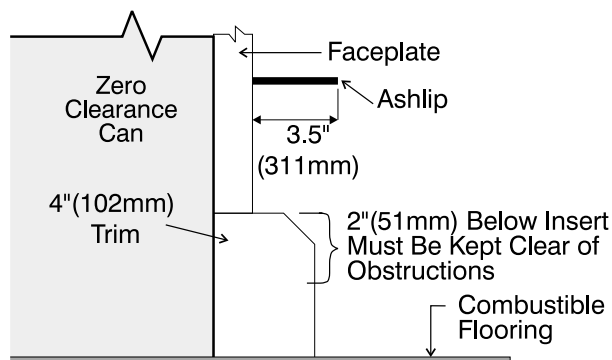


Figure 1

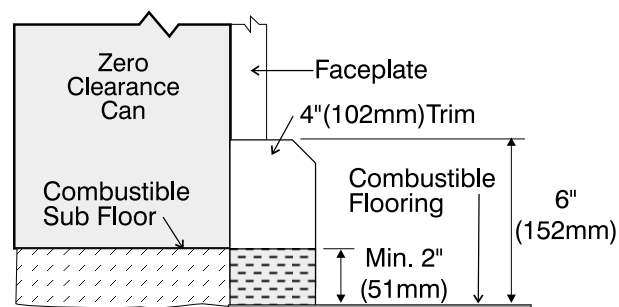


Figure 2

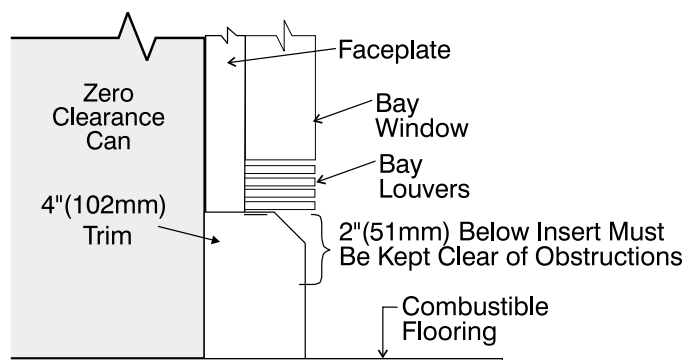
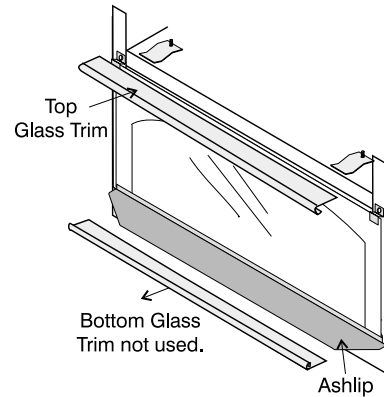
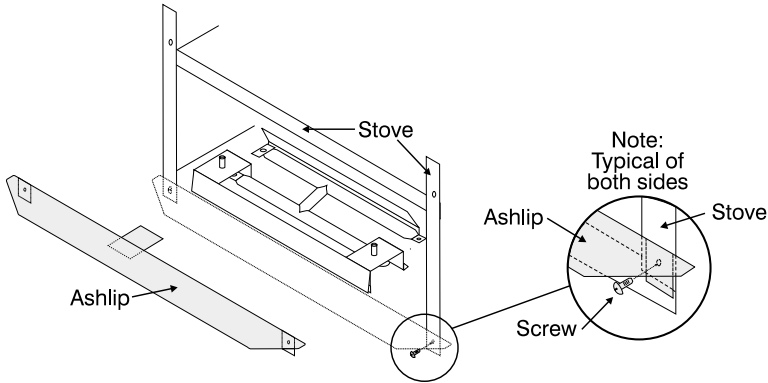


Figure 3

# INSTALLATION INSTRUCTIONS

## ASHLIP INSTALLATION

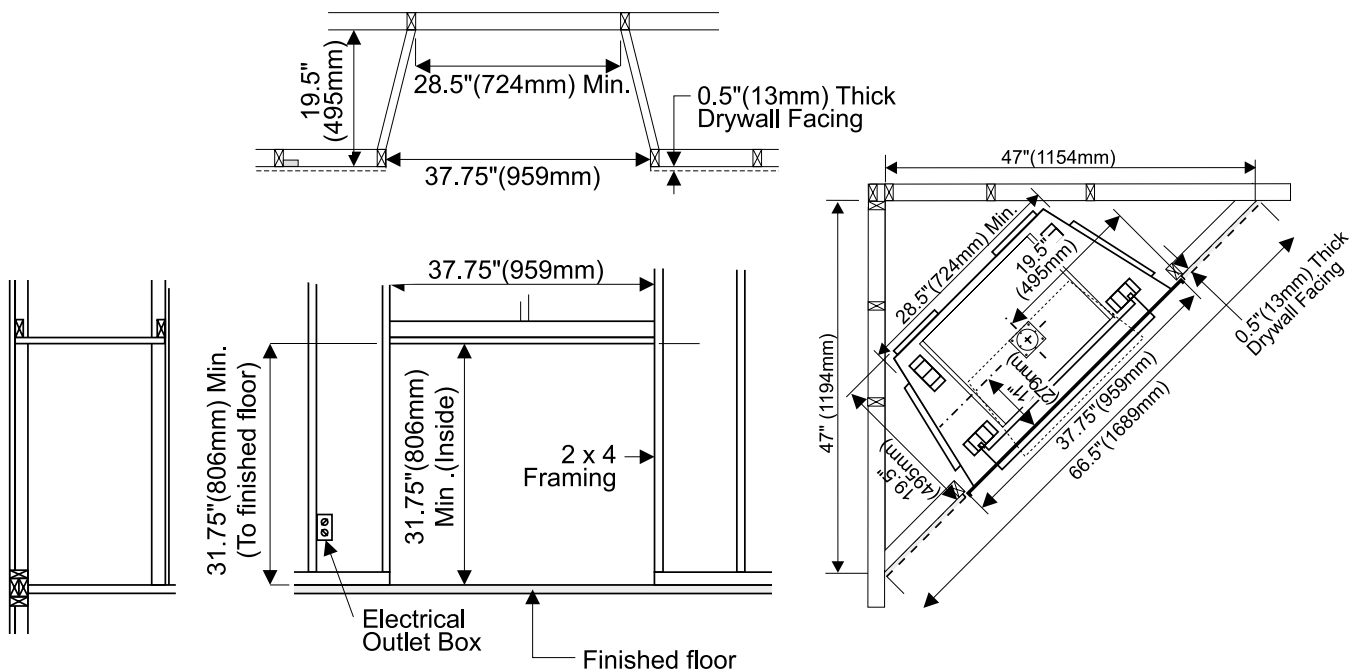
- 1) Line up the two holes in the ashlip with the bottom 2 holes in the front of the stove.
- 2) Screw into position with the two screws provided with the ashlip.



**NOTE: The bottom gold trim does not go onto the unit when the ashlip is installed.**

## FRAMING

- 1) The trim kit allows for 1/2" (13 mm) of finish facing material. The kit may be installed directly on and/or against standard combustible building materials.
- 2) Frame in the enclosure for the Kit with framing material. The framed opening for the assembled kit is 31.75" (806mm) high x 37.75" (959mm) wide x 19.5" (495mm) (20" (508mm) including drywall) deep. See diagram below.
- 3) For exterior walls, vapour barrier and insulate the enclosure to the same degree as the rest of the house, or according to local installation codes.
- 4) The appliance may be enclosed above the standoffs on the cabinet but the clearances stated on the "B-vent" chimney must be maintained.



# INSTALLATION INSTRUCTIONS

## KIT ASSEMBLY

- 1) Using the screws provided, attach left and right sides to the rear panel. Side flanges go on the outside. See diagram 1.
- 2) Install floor. All floor flanges go on the inside. See diagram 1.
- 3) Install top assembly. Make sure top rear flange is on the outside of the back panel. Top side flanges go on the inside.
- 4) Install top front standoff assembly, with the drywall standoff angle facing forward. See diagram 1.
- 5) Move Zero Clearance Assembly into final position and attach to framing. See diagram 3.
- 6) Attach 4"(100mm) - "B" vent adapter. See Venting.

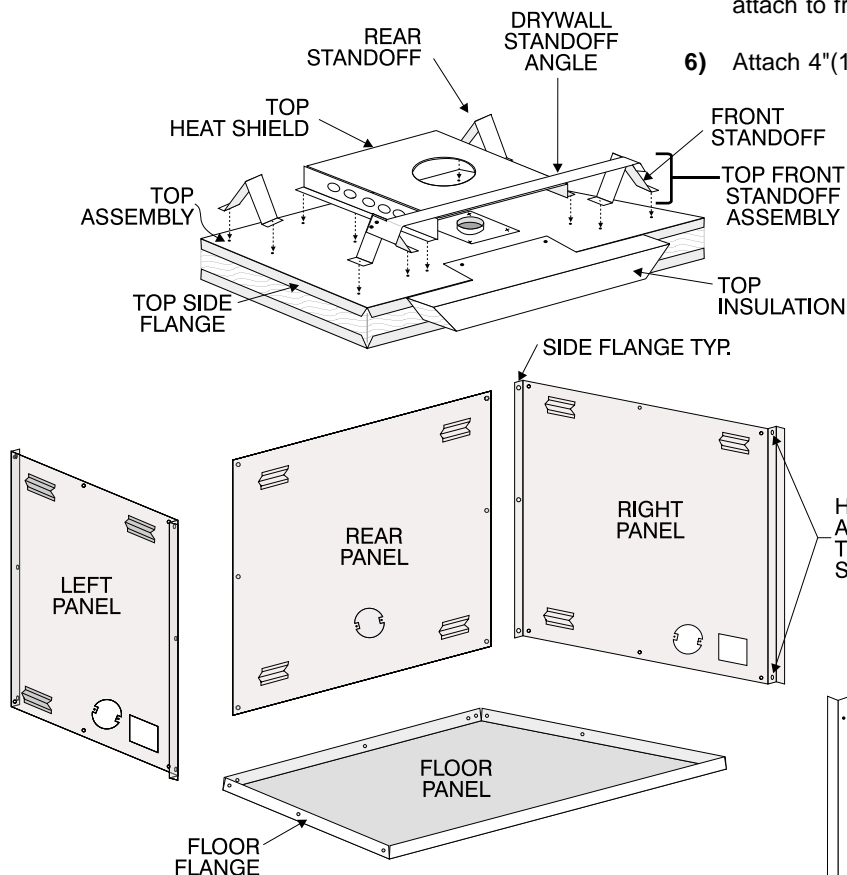


Diagram 1

**Note:** Top insulation protrudes about 1"(25mm) in order to assure a tight seal when faceplate is installed. Leakage in this area will result in possible overheating of the finishing material immediately above the frame. See diagram 1.

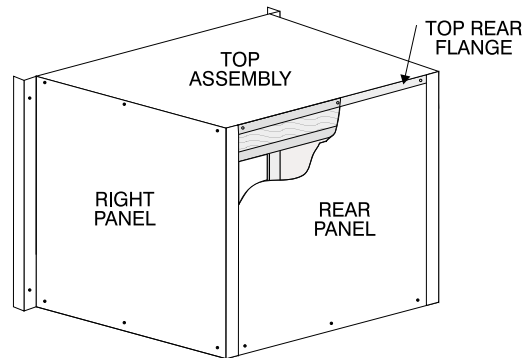


Diagram 2

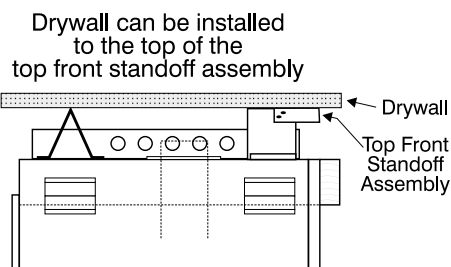
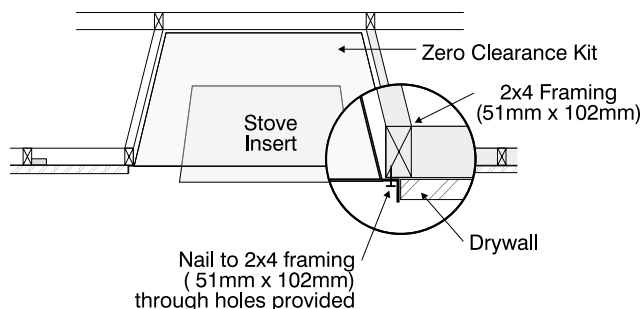


Diagram 3

# INSTALLATION INSTRUCTIONS

## VENTING (FLUEING)

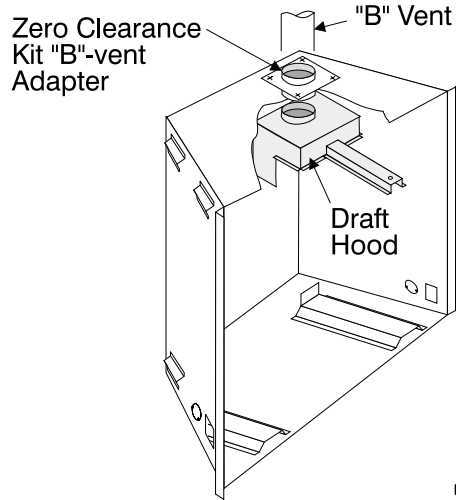
1) This fireplace must be vented (flued) with a 4" (100mm) diameter Class "B" vent (Australia/New Zealand: twin skin flue). The installation of the venting (flueing) system must conform and be in accordance with the natural gas installation code CAN/CGA - B149 (Canada), ANSI Z223.1 (U.S.A.), AG 601 (Australia), and NZS 5261 (New Zealand). Minimum chimney height from base of fireplace must be at least 12 feet (3.6m).

**Note:** The draft hood must be installed parallel to the fireplace opening, as shown below. See Instructions in U31/I31 Installation Manual.

Install stove insert as per U31/I31 Installation Manual.

### 2) Masonry Chimney Installation:

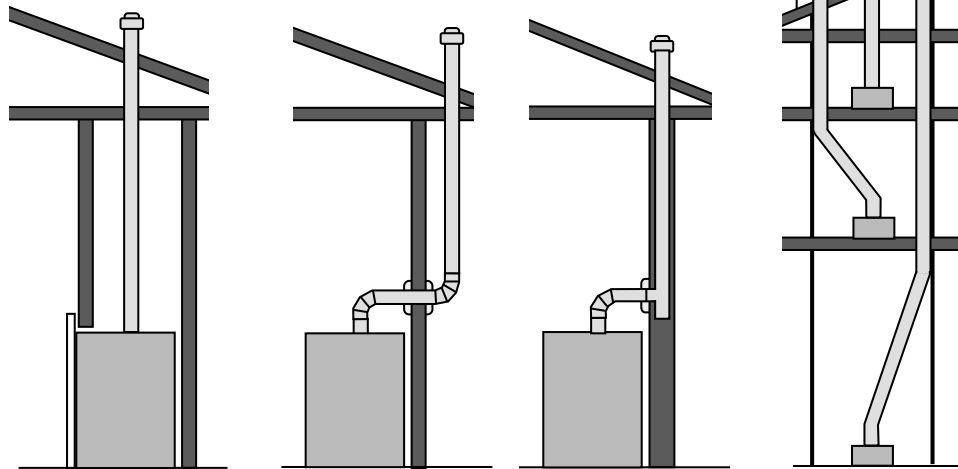
This application can be connected to a masonry chimney flue. Make sure the masonry chimney is clean and in good working order. When an existing masonry chimney is unlined and local experience indicates that gas condensation may be a problem or if local codes dictate, an approved liner should be installed. Use "B" Vent (flue) to bridge the gap between the fireplace and the masonry chimney. To ensure proper flue sizing and operation it is recommended that the masonry chimney be lined with an approved aluminium chimney liner of the same diameter as the "B" Vent (flue). Make sure connection between "B" Vent (flue) and masonry is completely sealed. Flue pipe exposed to cold air should be insulated in a chase. If condensation occurs, a trap should be installed at bottom of flue.



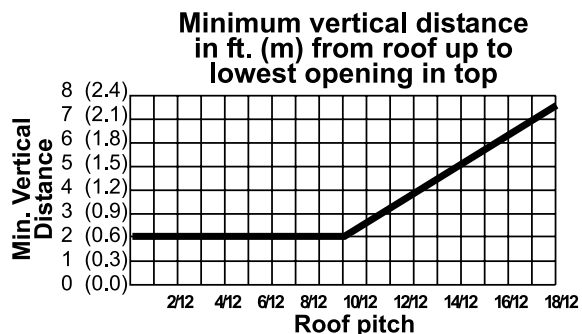
Use a maximum of two offsets; four 45° elbows, or two 90° elbows for example. Slope horizontal pipe at least 1/4" (6.4 mm) rise per foot of run. Horizontal runs should not exceed the vertical rise. Keep horizontal runs to a minimum. See chart below.

### NOTE: Cold Climate Installation

When this appliance is to be installed against a non-insulated wall or in a chase, fiberglass insulation should be installed around the body of the fireplace.



Variable Chimney Routes





# INSTALLATION INSTRUCTIONS

## OPTIONAL OUTSIDE COMBUSTION AIR SUPPLY - NORTH AMERICAN INSTALLATIONS

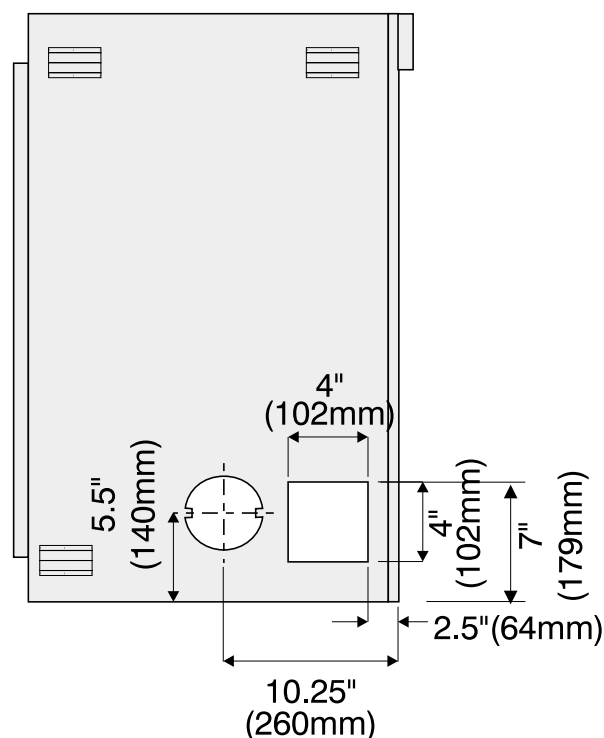
A 4" (100 mm) dia. aluminum flex pipe or equivalent may be installed from the outside (with a proper exterior cover) to the Zero Clearance cabinet. There are outside holes provided on three sides of the kit. Use only the one that is most suitable for your installation. This will provide adequate outside combustion air supply to the heater.

### GAS SUPPLY LINE

An authorized service person should install the gas line in accordance with all local building codes. If codes permit, flex gas line or coiled copper tubing may be used as gas supply line. The suggested way to install the gas supply line is as follows: run 1/2" (9.5 mm) NPT gas line to the left side of the framed opening. (See U31/I31 installation instructions for additional information).

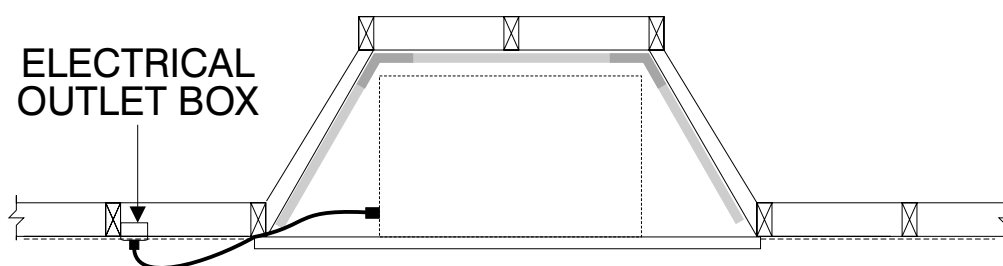
#### Specifications

	Min. Inlet Gas Pressure	Input Rating
Natural Gas	5" w.c. 1.13 kPa	30,000 Btu/h 31 mj/h
Propane	12" w.c. 2.75 kPa	27,500 Btu/h 28.5 mj/h



### ELECTRICAL SUPPLY

Provide 120 VAC, 60 Hz (in Australia and New Zealand: 240 VAC, 50 Hzin) receptacle within 24"(610mm) of the left side of the appliance (not inside the Zero Clearance Cabinet). Plug the cord on the appliance into the receptacle.



# INSTALLATION INSTRUCTIONS

## FACEPLATE & TRIM INSTALLATION

- 1) Lay the faceplate panels flat, facedown on something soft so they don't scratch.
- 2)
  - a) Take the top faceplate and align the holes in it with the holes in the side panels. Using the screws provided, attach from the top of the panel (holes in the top panel are slightly larger than the holes in the side panel to facilitate easier installation). See diagram 1.
  - b) 4"(102mm) Hearth Trim. Attach the Hearth Trim to the bottom of the faceplate side panels with the screws provided. See diagram 1.

Hint: *Don't tighten the screws down completely at this point, do a trial fit to the unit. Make any necessary adjustments and when it fits properly then tighten down the screws.*

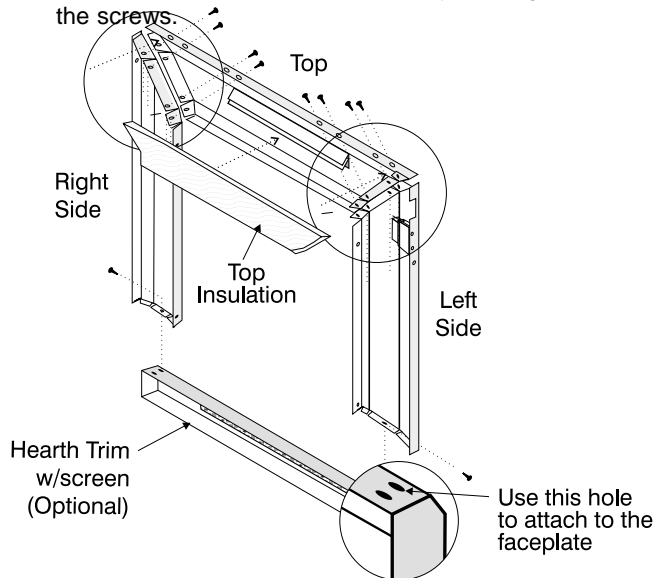


Diagram 1: Faceplate Assembly

- 3) Using the trim clips provided, join the left side trim (with the ON/OFF switch) to the top trim. See diagram 2. Connect the right side trim to the top trim.

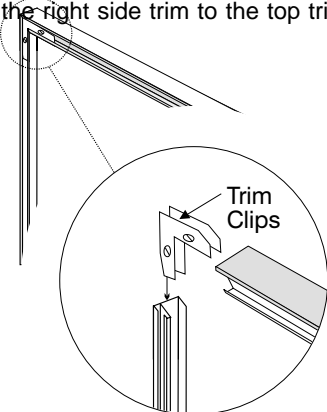


Diagram 2: Trim Assembly

- 4) Place the trim on the assembled faceplate panels, aligning the wire connections from the switches with the notch on the left side panel.
- 5) Connect the fan switch wires by taking the black and red wires with the male ends (in the grey harness) and connect them with the wire connectors from the fan speed control.
- 6) Connect the ON/OFF switch wires by taking the black and red wires with the female ends and connect them to the ON/OFF switch.
- 7) Install these wires in the clips on the left faceplate to ensure they don't touch the insert. See diagram 3.

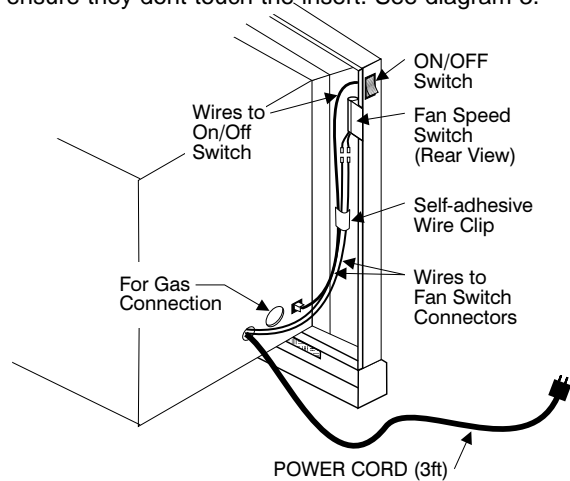


Diagram 3

- 8) The power cord should be run behind the faceplate panel from the U31/I31 to electrical outlet box.
- 9) Place insulation strips inside the top left and right corners and top of the faceplate as shown in dia. 4 & 5.

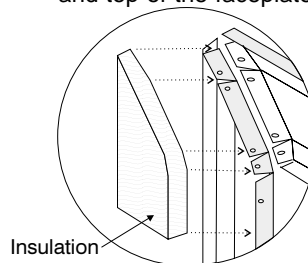


Diagram 4: Insulation

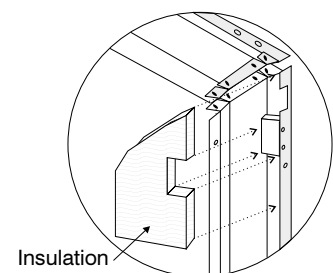


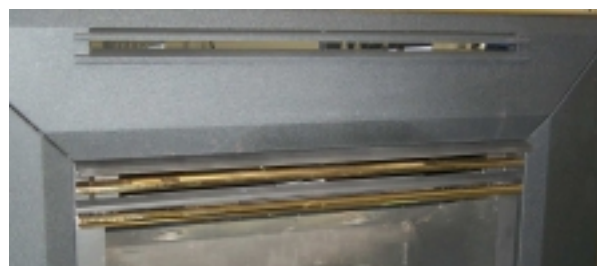
Diagram 5: Insulation

# INSTALLATION INSTRUCTIONS

- 10) Attach the brass trim to the faceplate by drilling a 1/8" (3mm) hole through the faceplate using the hole in the trim as a guide. Fasten the trim to the faceplate panels using the plated screws. #10 x1/2". See diagram 6 detail 'C'.
- 11) Attach the faceplate panels to the insert body using the 4 remaining black screws. See diagram 6 detail 'A'.
- 12) Slide the Top Deflector into the two brackets under the fireplace body top. Diagram 7.



Diagram 7: Slide Top Deflector into brackets.



After Deflector is installed

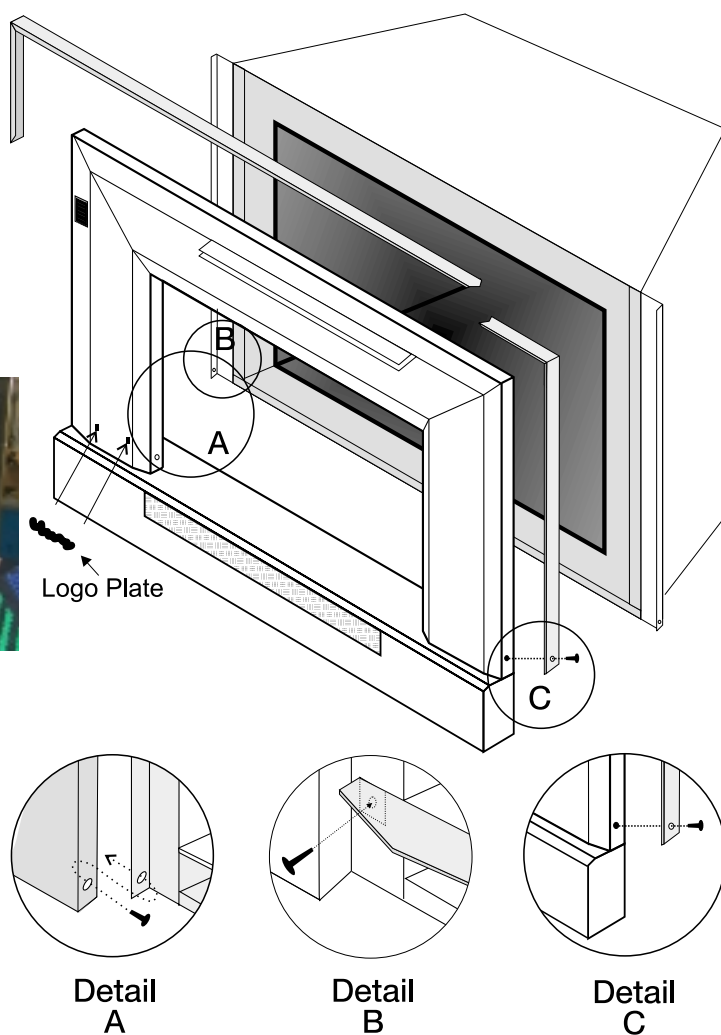


Diagram 6

- 13) Push the logo plate into the two holes in the bottom left corner of the faceplate.

**Note:** If ashlip is required for safety clearance (see pg. 5) then attach to stove unit using the 2 lower screw holes on the face of the stove unit (see diagram 6 detail 'B').

**Note:** This faceplate with Hearth Trim Assembly replaces the standard Assembly as shown in the U31/I31 Installation Manual.

## FINISHED FACING NOTES

Install finished facing surface of 1/2" (13mm) thickness on framing. Drywall 1/2" (13 mm) thick can extend flush with the appliance on all three sides of the front face. The height at which the mantel must be installed above the top louver depends on the depth of the mantel. If the mantel is to be painted, use a heat resistant paint to prevent discoloration.