

Oil filled Electric Towel Rails

08/17123/1 Issue 1

Models : TRC130R, TRB130, TRC150R, TRB150, TRS175, & TRS200

Dimensions

(millimetres)

Model	Watts	(mm)			
		A	B	C	D
TRC130R	90	850	530	180	290
TRB130	90	850	530	180	290
TRS175	175	850	530	180	290
TRC150R	120	850	785	255	360
TRS200	200	850	785	255	360
TRB150	150	850	785	255	360

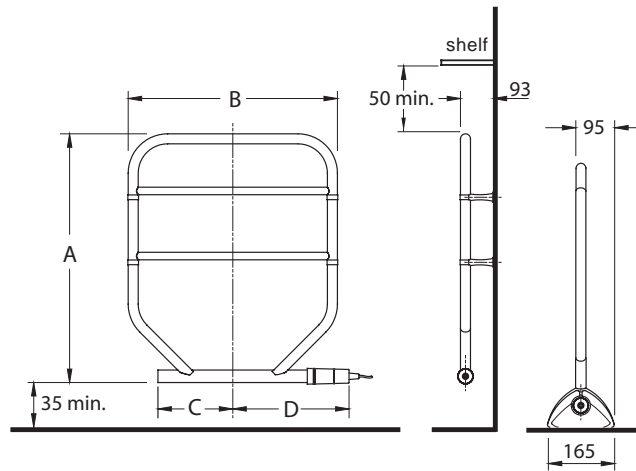


Fig. 1

THESE INSTRUCTIONS SHOULD BE READ CAREFULLY AND RETAINED FOR FUTURE REFERENCE.

Important Safety advice

WARNING - THE SURFACE OF THIS RADIATOR CAN BE HOT.

In order to be effective the towel rail will get hot, however momentary contact with any part of it should not cause injury.

CAUTION - This appliance is not intended for use by children or infirm persons unless they have been adequately supervised by a responsible person to ensure that they can use the appliance safely.

Young children or infirm persons should be supervised to ensure that they do not play with the appliance.

Precautions should be taken to ensure that prolonged contact with the towel rail cannot occur. Particular care should be taken in confined areas where accidental prolonged contact with the rail could be more likely to occur.

IMPORTANT - If the towel rail is to be installed in a place used by the public, a warning notice should be placed adjacent to the rail advising that the surface can be hot.

WARNING - This appliance must not be located immediately above or below a fixed socket outlet or connection box.

General

Your Dimplex permanently oil-filled electric towel rail has been designed to provide an all-the-year-round service for airing towels and articles of clothing. It is not intended to provide a sole heating service, but the larger models will take the chill off a normal size bathroom or toilet.

Your rail will be in one of two sizes and will have either a brass plated or chromium plated or stove-enamel finish. The stove-enamelled rails have loadings of 175 watts and 200 watts, but as a plated finish tends to hold in the heat, plated rails have been down-loaded to 90 watts and 120 watts respectively to maintain the same surface temperature.

All models are splash proof.

Use

Your Dimplex oil-filled electric towel rail can quite safely be left on continuously if desired without detrimental effect. When in use however no more than two layers of towelling or similar fabric should be draped over each rail. It is not advisable to leave very damp clothes or towels on the rail when it is not in use, as this may affect the finish.

The rail when in use, though hot to the touch, is not hot enough to scorch or burn towels or clothes. However, soap and detergents remaining in articles after washing can cause what appear to be scorch marks after being in contact with a hot rail. Care should be taken therefore to thoroughly rinse out all articles before airing.

Electrical

The electrical installation of this towel rail must be carried out by a competent electrician in accordance with the relevant wiring regulations. The towel rail is suitable for use on an A.C.~ electrical supply. Before installation check that the supply voltage corresponds with that marked on the rail.

WARNING - THIS APPLIANCE MUST BE EARTHED.

In NEW ZEALAND this heater must be installed by a registered electrician.

Cable if not already fitted, should be a suitable 3-core cable which must be connected to the fixed wiring of the premises in accordance with relevant wiring regulations. The electrical installation must have a minimum electrical contact gap of 3.0mm. The cable should be of the PVC insulated and sheathed type H03VV-F, minimum size 3 x 0.5mm².

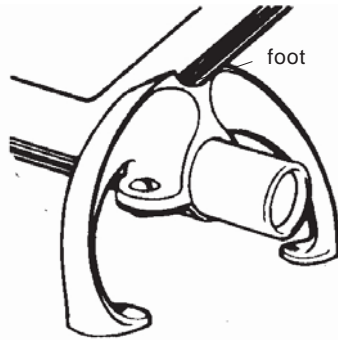
Installation

The towel rail must be permanently fitted to the wall or screwed to the floor.

All models are supplied with wall brackets - feet can be supplied as an optional extra. The towel rail must be mounted so that the top rail is horizontal and at least 50 mm/2" below any overhanging surface. The bottom horizontal tube on wall mounted models should at least 35 mm/1.25" above the floor.

Feet

The feet of Dimplex oil filled towel rails should be clamped around the bottom horizontal tube as shown. Before finally tightening the bolts, the feet should be pushed snugly into the angle formed by the main frame tube and the bottom horizontal tube. There are two screw holes in each foot through which the towel rail can be permanently screwed to the floor.



Wall mounting

The Wall mounting accessory pack contains:

- (a) 4 mounting straps
- (b) 4 screws (M4 x 10)
- (c) 4 wall mounting brackets
- (d) 4 locator pins

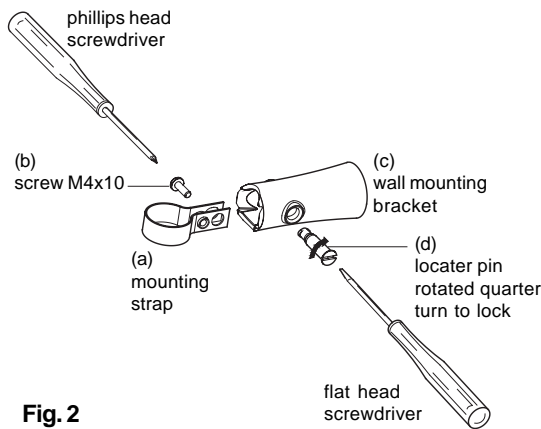


Fig. 2

Procedure for fixing Wall Brackets

Step 1

Using Dim. X and Dim. Y as a guide, mark the hole positions for the four fixing brackets and drill and plug the wall to suit. Note: Allow enough room above and below for the clearance stated. Screw the four fixing brackets securely to the wall - see Fig. 3.

Wall bracket Fixing Dimensions

Model(s)	Dim. X	Dim. Y	Dim. Z
TRC130R	505	230	415
TRB130	505	230	415
TRS175	505	230	415
TRC150R	760	230	415
TRS200	760	230	415
TRB150	760	230	415

Step 2

Place carefully around the upright bars the 4 mounting straps at the position shown - see Fig. 3. (Note the straps must be positioned up tight to the cross bar as indicated) Securely fix them by screwing in place fully the M4 x 10mm screw. Ensure the brackets are fitted with the rear of the straps facing directly backwards.

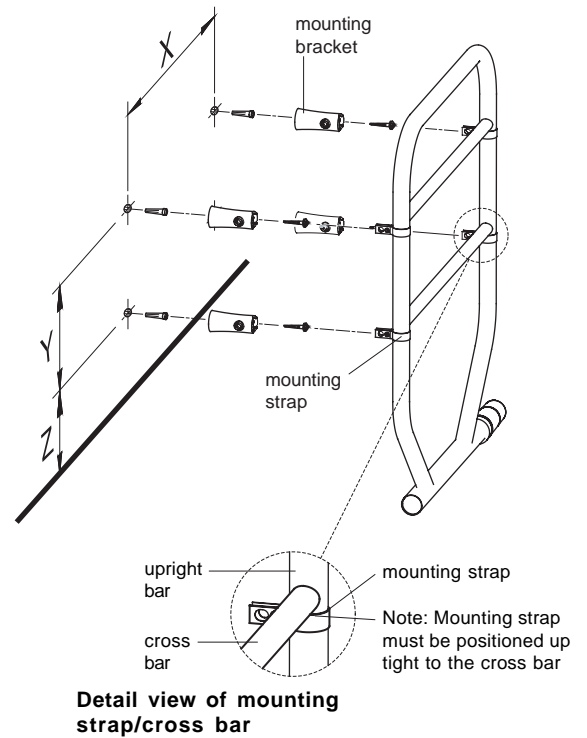


Fig. 3

Step 3

Place the towel rail straps into the wall mounted brackets, secure them with the locator pins by inserting it and giving it a quarter turn - see Fig. 3. Check the four brackets and towel rail are fitting horizontal. If not go back to step 2. The straps can be repositioned to ensure that the towel rail is horizontal when fitted to your wall. If the towel rail cross rails are not level, loosen both straps on either left or right hand upright bar. Lower the two straps and raise up the towel rail until it is horizontal, then secure as indicated in step 2 and 3.

To replace Cable

To gain access to the terminals first remove the two screws holding the cover in position. These screws are on top and underneath. Remove the screw from the bottom moulding. Remove the top cover with the neon lens and connect the wires as shown in Fig. 4 below.

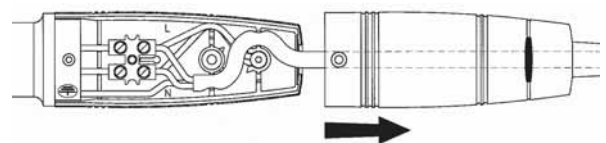


Fig. 4

Cleaning

The finish on your towel rail can be maintained by occasionally wiping over with a damp cloth and lightly finishing with a soft dry cloth. This should only be carried out when the rail is cold. **Do not** use abrasive cleaning powders as this could damage the surface finish.

After Sales Service

Your product is guaranteed from the date of purchase. The terms and conditions of the guarantee are as stated on the warranty card packed with the product.

Should you require after sales service, please get in touch with the supplier through whom you purchased the appliance.

Service Information

Please either return to your supplier together with your dated receipt or proof of date of purchase, or call Hagemeyer for location of your nearest service agent.

CE The product complies with the Australian/New Zealand Safety Standards AS/NZS 335.2.30:1997 and also the European Standard Electromagnetic Compatibility (EMC) EN 55014-1:1993, EN 61000-3-2:1995, EN 61000-3-3:1995, EN 55014-2:1997 which cover the essential requirements of EEC Directives 89/336/EEC.

Specification subject to change without prior notice.

DC Dimplex

Australia
Hagemeyer Brands Australia Pty Ltd.
104 Vanessa Street
Kingsgrove 2208
AUSTRALIA
Tel: 1300 728 223

New Zealand
Monaco Corp. Ltd.
10 Rothwell Avenue, Albany
PO Box 4399, Auckland 1
NEW ZEALAND
Tel: 415 6000