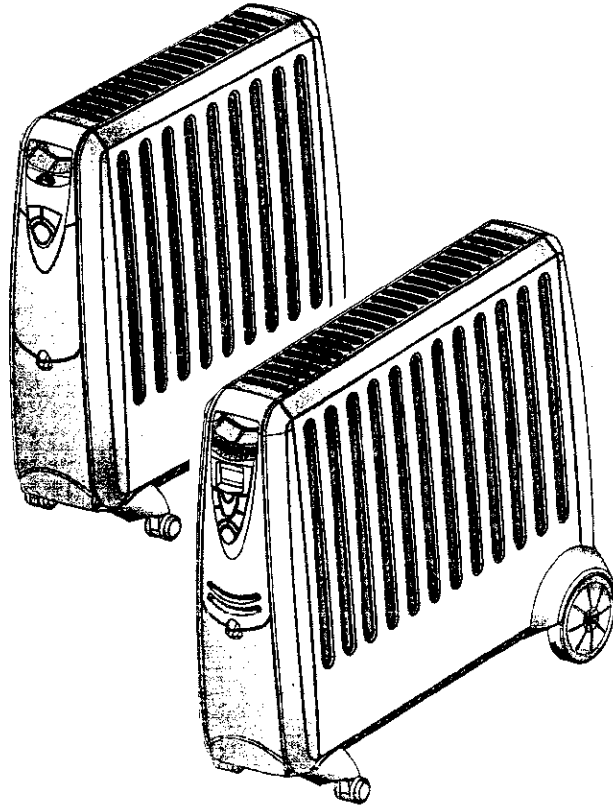
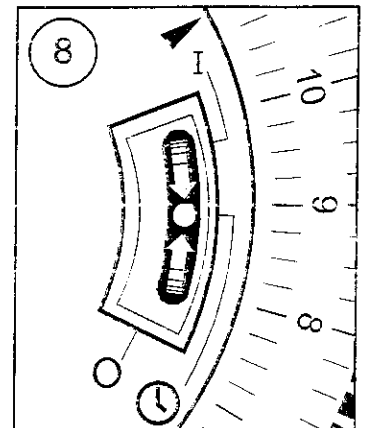
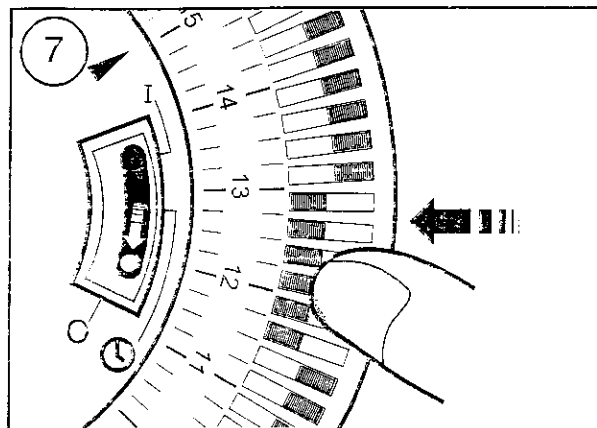
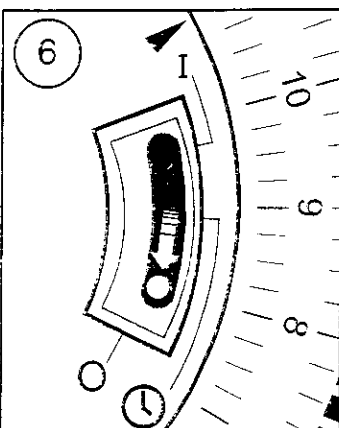
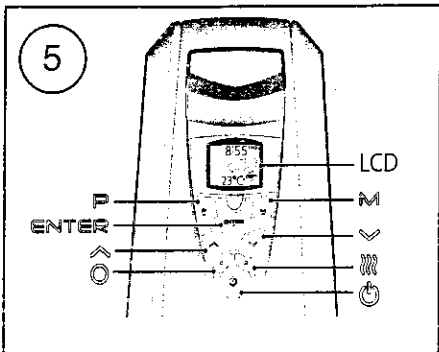
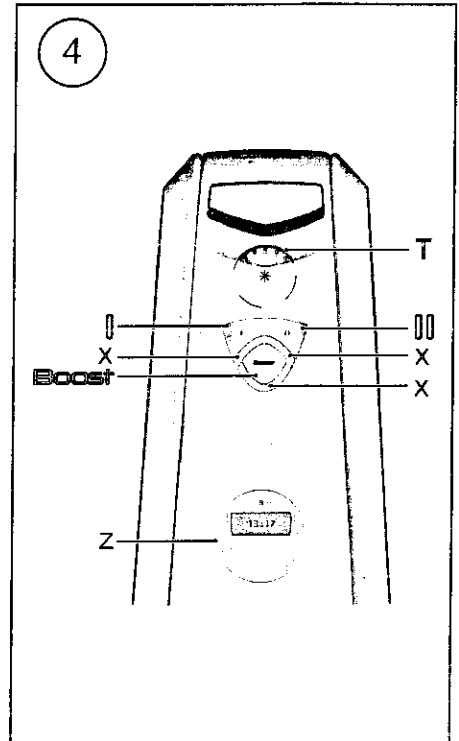
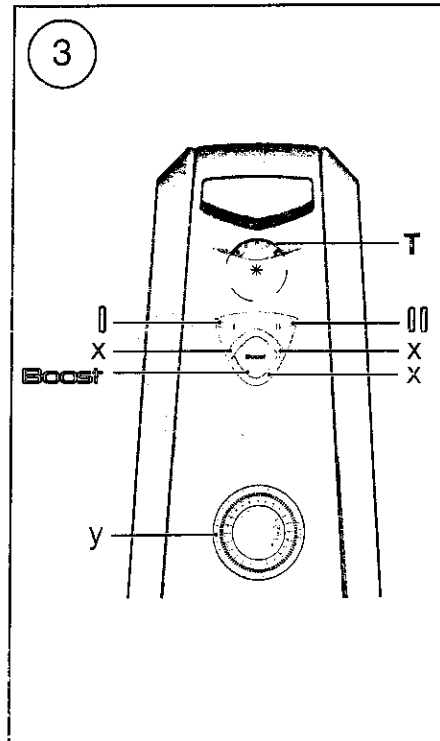
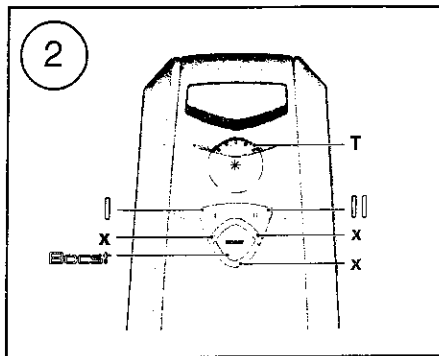
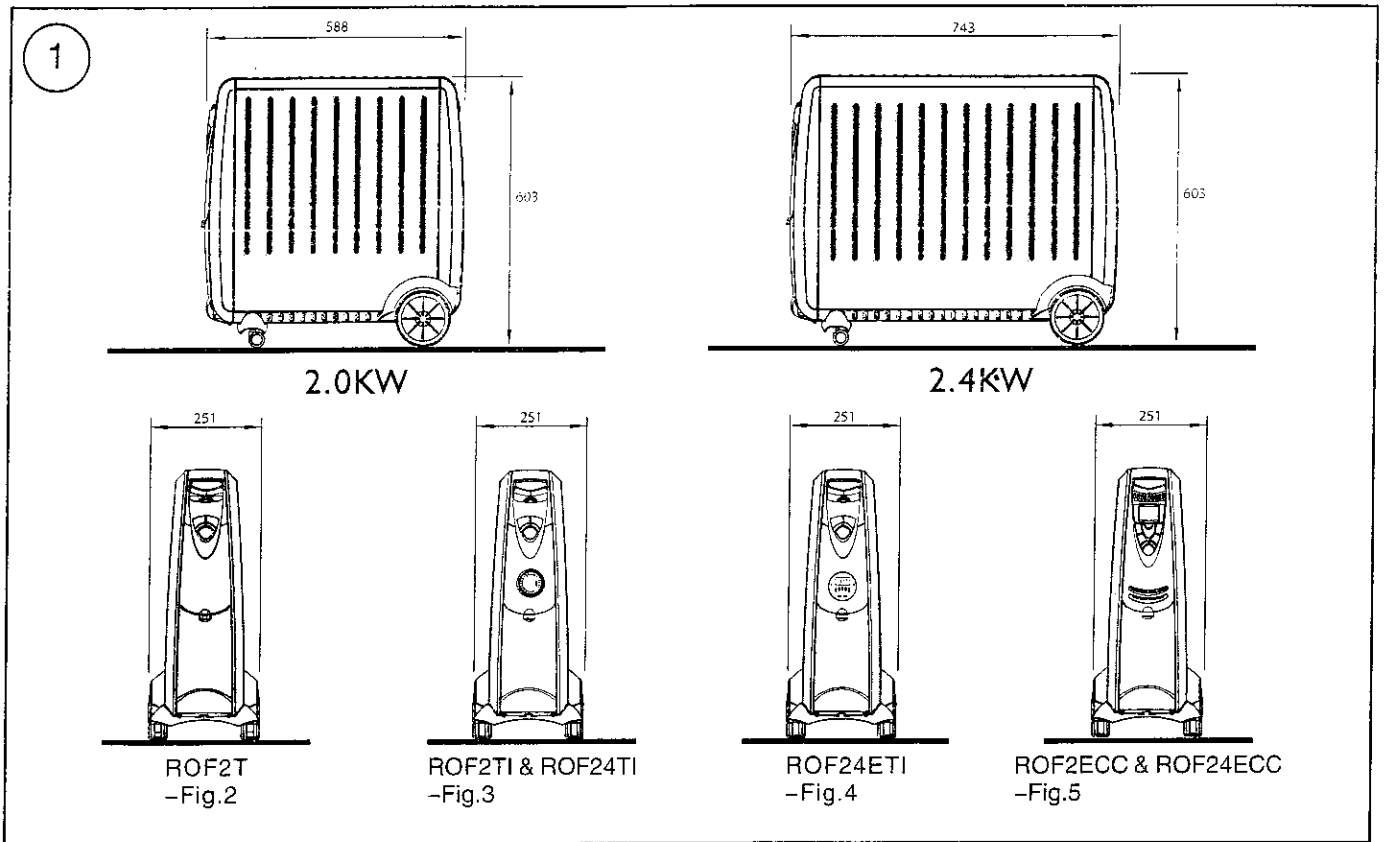


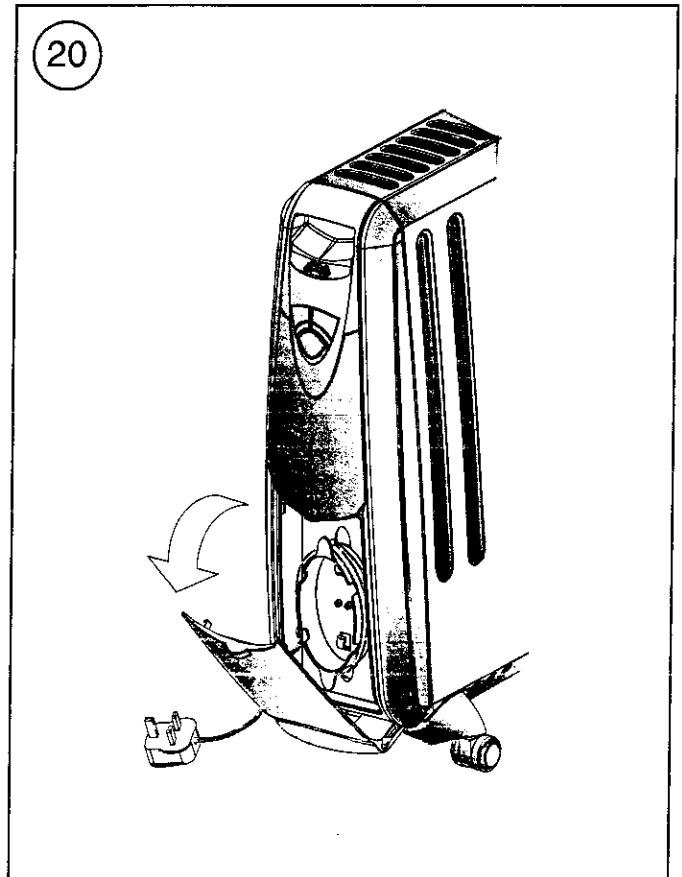
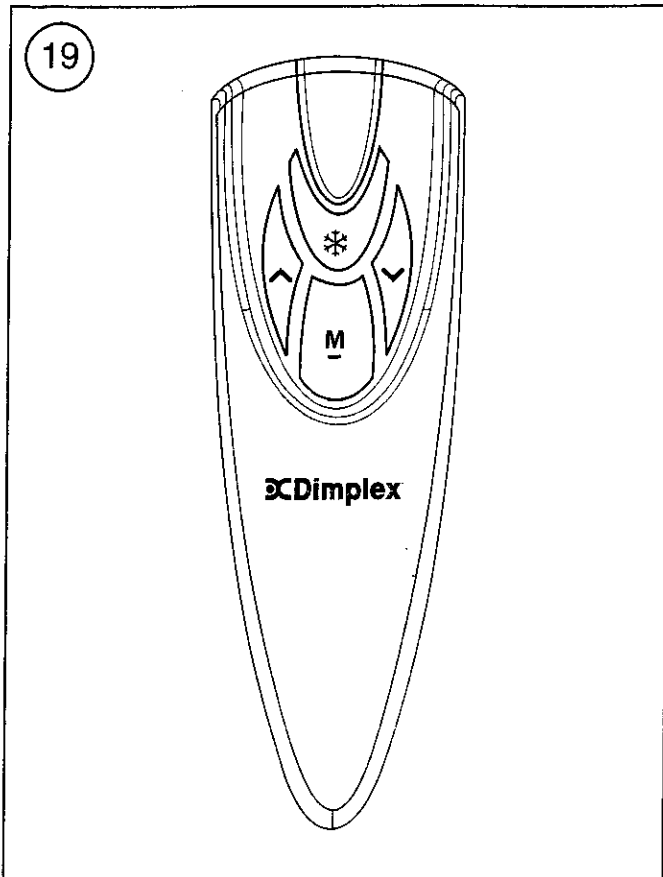
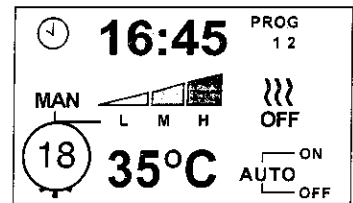
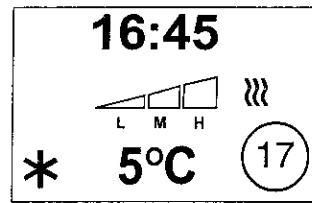
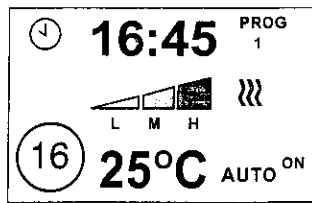
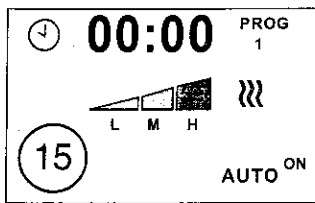
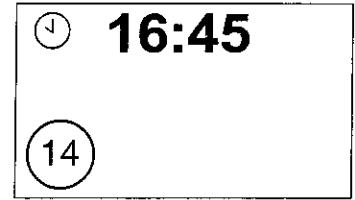
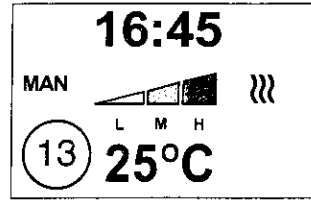
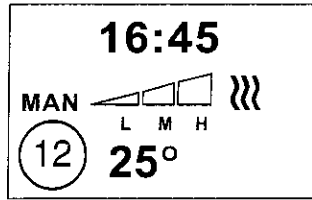
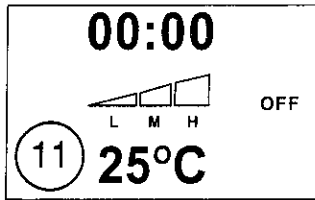
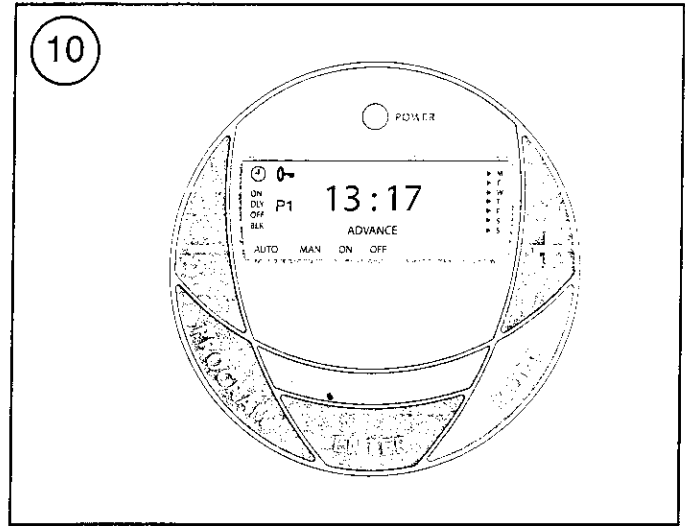
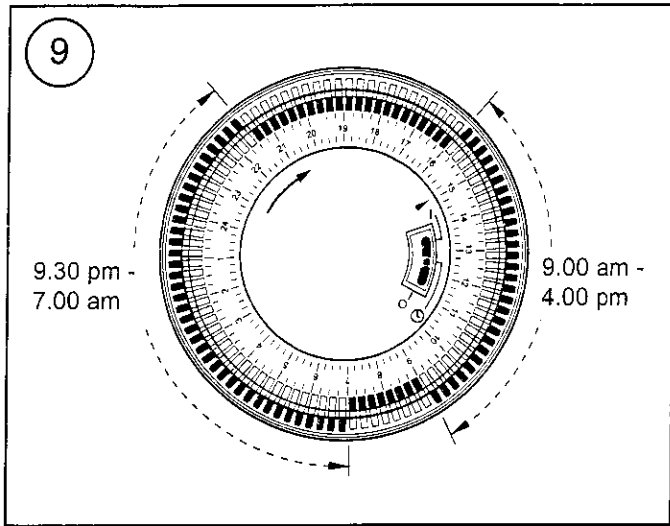
DCDimplex



ROF2T, ROF2TI, ROF2ECC, ROF24TI
ROF24ETI & ROF24ECC

AUS/NZ





Dimplex Oil filled Covered Radiators

Models : ROF2T, ROF2TI, ROF2ECC, ROF24TI, ROF24ETI and ROF24ECC

THESE INSTRUCTIONS SHOULD BE READ CAREFULLY AND RETAINED FOR FUTURE REFERENCE

Model	Description	Watts
ROF2T	Standard Model Switch & Thermostat Control	2000
ROF2TI	Switch, Thermostat & Mechanical Timer Control	2000
ROF2ECC	Electronic Climate Control	2000
ROF24TI	Switch, Thermostat & Mechanical Timer Control	2400
ROF24ETI	Switch, Thermostat & Electronic Timer Control	2400
ROF24ECC	Electronic Climate Control	2400

Important Safety Advice

If the appliance is damaged, check immediately with the supplier before installation and operation.

Warning – This appliance must not be used in a bathroom.

Warning – Do not use this heater in the immediate surroundings of a bath, a shower or a swimming pool.

Warning – This heater must not be located immediately below a fixed socket outlet.

Warning – Do not use in areas where petrol, paint or flammable liquids are used or stored.

Follow these instructions carefully.

The heater carries a warning 'Do Not Cover' to alert the user to the risk of fire that exists if the heater is accidentally covered.

This appliance is not intended for use by young children or infirm persons unless they have been adequately supervised by a responsible person to ensure they can use the appliance safely.

Do not put objects through the openings of the appliance. This could lead to functional faults, possibly to the ignition of the object.

If the power cord is damaged, it must be replaced by the manufacturer or its service agent or a similarly qualified person in order to avoid a hazard.

Unplug the heater when not required for long periods.

Do not use the heater if it develops a leak. Unplug the heater and contact your supplier or the manufacturers Service Agent.

General

The radiator is designed for operation on an AC electricity supply, and is suitable for use in domestic dwellings and similar indoor locations.

Always ensure that the appliance is stood on a firm, level base near to, but not directly beneath, a suitable fixed socket outlet.

The radiator is fitted with wheels, castors and a handle for ease of movement. Selector switches provide a choice of heat output and an adjustable thermostat enables the room temperature to be controlled accordingly. It is supplied with a cord and plug ready for use.

The supply cord should be uncoiled before use (see 'Storage').

DO NOT pull the radiator along by the mains lead.

Important - The radiator must only be operated with the wheels and castors fitted and in the upright position as shown in Fig. 1.

Warning – The heater complies with stringent safety standards but to ensure efficient operation **SURFACES OF THE HEATER WILL BECOME HOT AND CONTACT WITH THESE AREAS SHOULD BE AVOIDED**, particularly between the air outlet slots on the top and sides.

The control panel area is designed to be at a far lower temperature to allow the safe operation of the controls at any time.

Momentary contact with any part of the heater should not cause injury. However aged, infirm persons or young children should not be left unsupervised in the vicinity of the heater.

Please Note – We recommend that you open a window to ventilate the room when using the heater for the first time.

Electrical

WARNING – THIS APPLIANCE MUST BE EARTHED

This heater must be used on an AC ~ supply only and the voltage marked on the heater must correspond to the supply voltage.

Before switching on, please read all the safety warnings and operating instructions.

CAUTION: If you use this heater in conjunction with a thermal control,

programme controller, timer or any other device which switches the heater on automatically observe all safety warnings at all times.

Positioning the Heater

Select the position for the radiator ensuring there is clearance from any furniture and fittings of at least 300mm above the heater and 150mm each side. The radiator should only be operated on a flat stable surface.

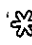
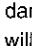
Operation

Important – Objects or clothing must not be placed on this heater. Before using the heater ensure that all warnings and instructions have been read carefully.

To bring the heater into use plug it in. Neon indicating lights located at the controls area will glow when the appliance is actually heating.

Controls


Thermostat (ROF2T, ROF2TI, ROF24TI & ROF24ETI models only)


The Thermostat (see 'T' in Fig.'s 2, 3 & 4) controls the heat output according to the room temperature. This ensures that the heater will not produce heat unnecessarily when the room is warm. To set the temperature you require, turn the thermostat knob clockwise until the required setting is reached. Alternatively to heat a cold room quickly, turn the thermostat knob up fully. When the room has reached the desired temperature, turn the thermostat knob anti-clockwise until the thermostat just clicks off. The heater will now automatically operate at this temperature. The thermostat also has a frost protection setting marked . This setting is useful in areas such as garages, to prevent frost damage. If the thermostat is set to its minimum setting , the heater will cycle on and off to maintain a temperature of approximately 5° to help protect against frost.

Note – Should the heater fail to come on when the thermostat is at a low setting, this may be due to the room temperature being higher than the thermostat setting.

Heat Selector Switches (ROF2T, ROF2TI, ROF24TI & ROF24ETI models only)

Selector switches located on the control panel provide a choice of low heat, high heat or boost heat output to suit varying conditions and for economy of operation.

Low Heat Setting  - This switch as shown in Fig.'s 2, 3 & 4 provides a low heat output when activated. When it is activated a neon light 'x' illuminates below the control button.

High Heat Setting  - This switch as shown in Fig.'s 2, 3 & 4 provides a high heat output when activated. When it is activated a neon light 'x' illuminates below the control button.

Boost Heat Setting 'Boost' - This switch as shown in Fig.'s 2, 3 & 4 provides the boost heat output. When it is activated a neon light 'x' illuminates below the control button.

Note – With the 3 selector switches activated the maximum output of this radiator can be achieved.

Manual Timer Operation - see 'y' in Fig. 3 (ROF2TI & ROF24TI models only)

Set the I -  -  slide switch on the timer (Fig. 6) to :

Position - Heating Off

Position I - Manual operation

This setting allows power to the heater uninterrupted by the timer settings. The heat selector switch will control the output (see 'Controls').

Position - 'Auto' operation

DO NOT disconnect this heater from the mains supply unless it is being taken out of use (e.g. in summer or for storage), otherwise the timer clock will stop.

Setting the time of day

To set the time of day, rotate the timer dial clockwise (indicated by the arrow) until the correct time of day is opposite the reference mark ► (see Fig. 6). The 24-hour clock is used ; e.g. time shown for 4 pm is '16' (16:00hrs).

Setting the 'Auto' ON and OFF times

To set the timer :

1. Using your finger tip or the tip of a pencil, push in as many segments as necessary around the dial, according to the times you don't require heat – see Fig. 7. Each segment pushed in switches the heater OFF for that part of the hour. All other segments will be ON. For example, Fig. 9 shows the timer set to switch the heater ON between 9.00am and 4.00pm and between 9.30pm and 7.00am.
2. You can select as many ON periods as you like, within the 24-hour day. The settings will repeat every day until changed.
3. To change ON and OFF times, simply push in any 'ON' segments you wish to cancel and pull out new 'ON' segments as required.

Switching to auto

Set the heat selector and thermostat for the heat output required.

Check that the clock shows the correct time of day. Set the I - Ⓞ - Ⓞ slide switch to Ⓞ (see Fig. 8) - the heater will switch ON and OFF according to the timer settings (see Fig. 9).

IMPORTANT NOTES

Remember to observe all safety warnings when operating the heater on auto setting unattended or attended .

If the mains supply to the heater is interrupted, the timer clock will stop until power is restored ; reset the time of day to ensure correct ON and OFF times.

Digital Timer Operation (see 'z' in Fig. 4 & Fig. 10)

IMPORTANT: Remember to observe all safety warnings when operating the heater on auto setting, either attended or unattended.

The timer allows you to select 'AUTO DAILY', 'AUTO BLOCK', 'MANUAL ON' or 'MANUAL OFF' operation MODE by pressing the "MODE" button until the required MODE appears at the bottom of the timer display.

'AUTO DAILY' MODE allows the heater to switch ON and OFF according to a set daily program everyday (see 'Setting Programs' section below).

'AUTO BLOCK' MODE allows the heater to switch ON and OFF according to set of programs for weekdays only and another set for weekends only.

'MANUAL ON' MODE allows power to the heater uninterrupted by the program settings.

'MANUAL OFF' MODE switches off all heater operation completely.

Key Lock:

If 'ENTER' and 'MODE' are pressed within 1 second, the keys will be locked. The user will know the keys are locked as the lock symbol '🔒' will be displayed on the top left hand corner of the screen. To unlock the keypad, press 'ENTER' and then 'MODE' within 1 second.

Initial Operation

For initial use, plug the heater into a regular household power point and turn the power on. The timer is now ready to be set up for use.

Setting Current Time

1. Press the 'PROGRAM' button ONCE. The clock symbol Ⓞ appears on the top left hand side of the screen. The user can now set the clock.
2. The hour digit will flash. To adjust the hour use the '-' & '+' buttons. Confirm the hour digit by pressing 'ENTER'.
3. Once 'ENTER' has been pressed the minutes will flash. To adjust the minutes use the '-'&'+' buttons. Confirm the minute digit by pressing 'ENTER'.
4. Once 'ENTER' has been pressed the arrow ► will flash next to Mon. use the '-' & '+' buttons to set current day and press 'ENTER' to confirm. (This function is available only on the 7day timer)
5. Pressing final 'ENTER' returns to default display.
6. To reset incorrect time, repeat previous steps.

Once the correct time is set, a total of 12 ON/OFF time programs can be set for operation. There are two program options.

OPTION 1; DAILY ('DLY' on display): This is a daily program function, Monday to Sunday with four ON/OFF program options available.

OPTION 2; BLOCK ('BLK' on display): This is a block program function, Monday to Friday with four ON/OFF program options & Saturday to Sunday with four ON/OFF program options.

Setting Programmes

This timer allows Block programming. This means you can have four ON/OFF programs to run daily Monday to Sunday (DLY) or you can have four ON/OFF programs to run Monday to Friday and another four ON/OFF programs to run Saturday and Sunday (BLK).

Press the 'PROGRAM' key twice to set the programs.

You are now setting the programs starting with 'Daily 'ON' P1.

SETTING P1 ON TIME:

1. To set the hour use the '-' & '+' buttons. Confirm the hour digit by pressing 'ENTER'.
2. To set the minutes use the '-' & '+' buttons. Confirm the minute digit by pressing 'ENTER'.

Note: The minutes can only be set in 10 minute blocks in programme 'MODE'.

SETTING P1 OFF TIME:

3. To set the hour use the '-' & '+' buttons. Confirm the hour digit by pressing 'ENTER'.
4. To set the minutes use the '-' & '+' buttons. Confirm the minute digit by pressing 'ENTER'.

Repeat steps 1 to 4 to programme P2, P3 & P4. After programming P4 you automatically enter the BLOCK programme option. Repeat steps 1 to 4 to programme P2, P3 & P4. After programming P4 you automatically exit to the default display.

At any time while programming the timer you can press the 'PROGRAM' button to exit to the default display.

NOTE: You can cycle quickly from weekdays to weekends by pressing the 'MODE' button. There are 4 programmable programs each for both weekdays and weekends.

The Advance Function

When in 'AUTO' MODE, if the '+' button is pressed for longer than 2 seconds the programme will ADVANCE to the next setting programmed and will only revert back to the program when the subsequent programme time is reached. When the 'ADVANCE' function is running the 'ADVANCE' segment will be displayed on the LCD screen. If the '-' button is pressed when the 'ADVANCE' programme is running the 'ADVANCE' feature will be automatically cancelled and the programme will run as normal.

Note - Timer Memory Back Up Batteries - Once the heater has been left plugged in with the socket switched on for at least 72 hours the timer's memory back up batteries will be fully charged.

Once the timer batteries are fully charged, if there is a power cut or if the heater is disconnected from the mains for less than six months, then the timer will continue to keep time & the settings in the memory will remain intact.

If however the timer back up batteries have not been charged fully, or if the heater is deprived of power for longer than six months, then the time and the programme settings are likely to be lost and you may therefore need to reset the time and the programme before using the AUTO MODE again.

Electronic Climate Control - see Fig. 5 (ROF2ECC & ROF24ECC models only)

Operation

The electronic control allows MANUAL and AUTO operation. In manual on mode there are three heat settings LOW, MEDIUM and HIGH. In AUTO mode the heater comes on as per the programmed timer settings (See Setting programs). At any point if the heater is active i.e. heat is being produced, the '🔥' neon is lit - see Fig. 5.

Initial Operation

When the heater is connected to the mains the '🔥' neon will be lit and the display is blank. Press the '🔥' button and the display goes into TIME SET mode. At this point the time can be set (see Setting time) or press 'ENTER' and the display reverts to the default OFF screen (see Fig. 11).

Note: All display characters are displayed in Fig. 18.

Standby Mode

With the heater ON if the '🔥' button is pressed, the heater will go into standby mode, heater switches off, the display goes blank and only the MAINS ON neon (🔥) remains lit. On pressing the '🔥' button again the heater will come on in the mode and with the settings it had prior to going into standby mode.

Setting Time

In time set mode the digits flash and 'ⓐ' appears on the screen - see Fig. 14. Set the desired time by :

1. Pressing '▲' or '▼' until correct time is displayed
2. Press **ENTER**. The display will revert to the default **OFF** display (see Fig. 11).

To reset time press 'M' and repeat steps above. In time set mode, if no keys are pressed, the display will automatically (after 4 minutes) revert to the default **OFF** display or display that was active prior to setting the time.

Manual Operation

Pressing 'M' from the default **OFF** screen brings the heat on in **LOW** heating mode - see Fig. 12. Press again to bring the heat on in **MEDIUM** heating mode. Press again to bring the heat on in **HIGH** heating mode (see Fig. 13).

Setting the Desired Temperature

The desired temperature can be set using the '▲' or '▼' keys. The temperature can be set from 5°C to 35°C and this will be shown on the display. When the temperature is reached the heater will automatically switch **OFF**. If the ambient temperature drops the heater will come on again automatically. Note the switch **OFF** and **ON** is a staged switching, to conserve energy and assist with temperature regulation e.g. if the heater is set to **HIGH** heat and the temperature is set to 28°C, at 26°C the heater will switch to **MEDIUM** heat, at 27°C the heater will switch to **LOW** heat. Then at 28°C the heater will switch **OFF** completely.

Setting the Timer Programs

Two program settings are possible, **P1** and **P2**. Only **HIGH** heat is possible for program settings. Press 'P' twice, **P1 AUTO ON** and a time will flash - see Fig. 15. The first **P1 ON** time can now be set:

1. Press the '▲' or '▼' buttons to set the time.
2. Press '**ENTER**'.
Now **P1 AUTO** off is displayed, **P1 OFF** time can now be set:
3. Press the '▲' or '▼' buttons to set the time.
At this point either :
(a) press 'P' to exit the Program mode and return to **AUTO** mode. The heater is now in **AUTO** mode. The heater will switch **ON** and **OFF** depending on programme **P1** previously entered.
OR
(b) press **ENTER** to set the **ON** and **OFF** times for program 2, as in steps 1 to 3 above.

At this point press **ENTER** or **PROG** to exit the Programme mode. The heater is now in **AUTO** mode. The heater will switch **ON** and **OFF** depending on programme **P1** & **P2** previously entered. If after programming and returning to the **AUTO** mode display, **P1** or **P2** is active, the display will show **PROG 1 AUTO ON** or **PROG 2 AUTO ON** depending on which is active - see Fig. 16. An **OFF** time cannot be entered which is less than the corresponding **ON** time. When setting the timer programs if no keys are pressed, the display will (after 4 minutes) revert to the previous display i.e. display prior to entering Program mode.

Run Programs

If **MODE** is pressed until **AUTO** appears on the screen (either **AUTO-ON** or **AUTO-OFF**), the heater will run both **P1** and **P2** program as they are set.

NOTE: The heater cannot be programmed to run P1 only or P2 only.

To cancel **P1**, set **P1 OFF** time to be same as **P1 ON** time. To cancel **P2** set **P2 OFF** time to be same as **P2 ON** time.

Review Program settings

To review the program settings the heater must be in **AUTO** mode. Press **ENTER** and the times for **PROG 1 ON**, **PROG 1 OFF**, **PROG 2 ON** and **PROG 2 OFF** will be displayed consecutively for 2 seconds. The display will automatically return to the state it was in before **ENTER** was pressed.

FROST Protection Mode

With the heater in any mode, **OFF**, **MANUAL ON** or **AUTO**, if the displayed set temperature is reduced to 5°C the heater will go into **FROST** Protection mode - see Fig. 17. In this mode only, if the ambient temperature drops below 5°C, will the heater come on. This is to prevent freezing. In **FROST** Protection mode the heater comes on in the high heat mode only. Pressing the 'M' button is the only way to bring the heater out of this special mode.

Remote Control Operation - see Fig. 19

The batteries for the remote control are not installed in the remote but are packed separately in the carton. To install batteries please follow diagrams behind battery cover on the remote control.

The remote allows the set temperature to be adjusted, the mode to be selected or can be used to put the heater in **FROST** Protection mode. Press the 'M' button on the Remote Control to go from **OFF**, **Man On High** and back to **OFF** again. Press the '▲' or '▼' buttons on the remote to set desired temperature between 5°C and 35°C. Press the 'M' button to put the heater into **FROST** Protection mode. Pressing the 'M' button (on the Remote Control) is the only way (using the Remote Control) to bring the heater out of this mode i.e. pressing the '▲' or '▼' buttons on the remote will have no effect on the heater.

Discard leaky batteries

Dispose of batteries in the proper manner according to Provincial and local regulations. Any battery may leak electrolyte if mixed with a different battery type, if inserted incorrectly, if all the batteries are not replaced at the same time, if disposed of in a fire or if an attempt is made to charge a battery not intended to be recharged.

Storage

If the radiator is not required for long periods, for example during the summer, it should be stored in a dry place and preferably covered to prevent the accumulation of dirt and dust. The supply cable can be stored in the cable storage area provided - see Fig. 20. The supply cord should be neatly coiled around the hooks provided ensuring that the plug does not trail on the floor. The plug will not fit into this compartment.

IMPORTANT

The heater must be kept plugged in at the mains to retain the time and the programmed settings. If unplugged from the mains, resetting the time and the programmed settings will be necessary.

Safety Overheat Protection

The heater is fitted with a thermal safety cut-out which will switch off the heater should it overheat for any reason. If the cut-out operates it is the result of abnormal overheating, and the Customer Services Helpline should be contacted for further advice.

Cleaning

WARNING - ALWAYS DISCONNECT THE POWER SUPPLY BEFORE CLEANING THE HEATER.

Do not use detergents, abrasive cleaning powder or polish of any kind on the body of the heater.

Allow the heater to cool, then wipe with a dry cloth to remove dust and a damp cloth (not wet) to clean off stains. Be careful not to allow moisture in to the heater.

After Sales Service

Please see the separate Warranty leaflet for details of your Warrantee & after sales service including contact details.

Should you require after sales service, please get in touch with the supplier through whom you purchased the appliance, or the contact number on your Warranty leaflet.