

Danube Portastove Model: DNB20
Lagan Portastove Model: LAG20
Elba Portastove Model: ELB20
Allegri Portastove Model: ALG20

08/18989/4 Issue 4

Dimensions (millimetres)

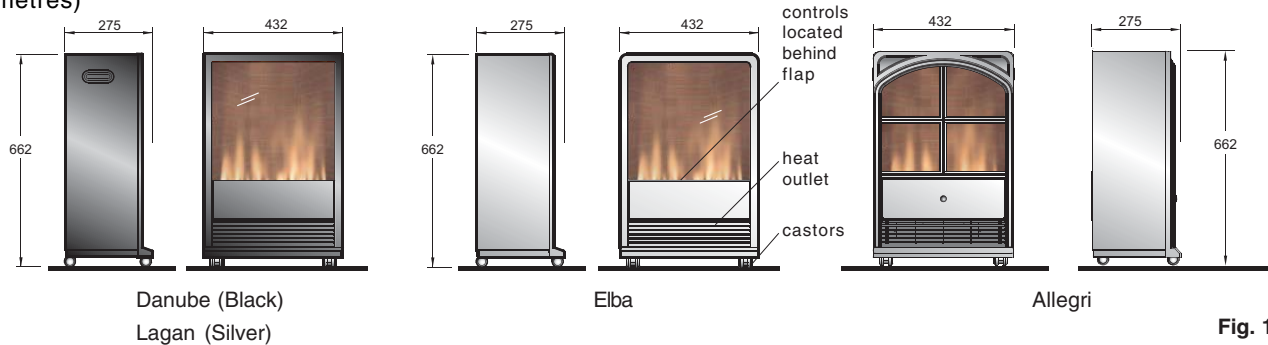


Fig. 1

IMPORTANT: THESE INSTRUCTIONS SHOULD BE READ CAREFULLY AND RETAINED FOR FUTURE REFERENCE

Important Safety Advice

When using electrical appliances, basic precautions should always be followed to reduce the risk of fire, electrical shock, and injury to persons, including the following:

If the appliance is damaged, check with the supplier before installation and operation.

Do not use outdoors.

Do not use in the immediate surroundings of a bath, shower or swimming pool.

Do not locate the heater immediately below a fixed socket outlet or connection box.

Do not cover the heater. Do not place material or garments on the heater, or obstruct the air circulation around the heater, for instance by curtains or furniture, as this could cause overheating and a fire risk.

The appliance is not intended for use by young children or infirm persons unless they have been adequately supervised by a responsible person to ensure that they can use the appliance safely.

Young children should be supervised to ensure they do not play with the appliance.

Do not use this heater in series with a thermal control, a program controller, a timer or any other device that switches on the heat automatically, since a fire risk exists when the heater is accidentally covered or displaced.

Ensure that furniture, curtains or other combustible material are positioned no closer than 1 metre from the heater.

In the event of a fault unplug the heater.

Unplug the heater when not required for long periods.

Although this heater complies with safety standards, we do not recommend its use on deep pile carpets or on long hair type of rugs.

The appliance must be positioned so that the plug is accessible.

If the supply cord is damaged it must be replaced by the manufacturer or service agent or a similarly qualified person in order to avoid a hazard.

Keep the supply cord away from the front of the heater.

Introduction

Unpack the heater carefully and retain the packaging for possible future use, in the event of moving or returning the fire to your supplier.

These models are fitted with castors so they can be moved from room to room with ease, and are normally positioned against a wall.

A choice of 1kW or 2kW heat output is provided by the fan heater, which is located at the bottom of the unit.

Before connecting the heater check that the supply voltage is the same as that stated on the heater.

Please note: Used in an environment where background noise is very low, it may be possible to hear a sound which is related to the operation of the flame effect. This is normal and should not be a cause for concern.

Electrical connection

WARNING – THIS APPLIANCE MUST BE EARTHED

This heater must be used on an AC ~ supply only and the voltage marked on the heater must correspond to the supply voltage.

Before switching on, please read the safety warnings and operating instructions.

Operation

The unique flame effect may be enjoyed whether or not the heating elements are in operation.

Controls

The heater controls are located behind the flap on the front of the heater. (see Fig. 1).

Three switches provide a choice of heat settings. A switch is in the ON position when the side with the markings on (i.e. I, I, or II) is pushed in.

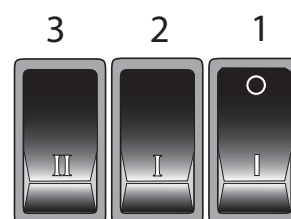


Fig. 2

Switch 1 (I) Controls the electricity supply to the heater and flame effect

Note: This switch must be in the ON (I) position for heater to operate with or without heat

Switch 2 (I) Provides 1kW heat output

Switch 3 (II) Provides 2kW output with switch 2

Maintenance

WARNING – BEFORE UNDERTAKING ANY MAINTENANCE OR CLEANING REMOVE PLUG OR DISCONNECT FROM THE ELECTRICITY SUPPLY.

Lamp Replacement

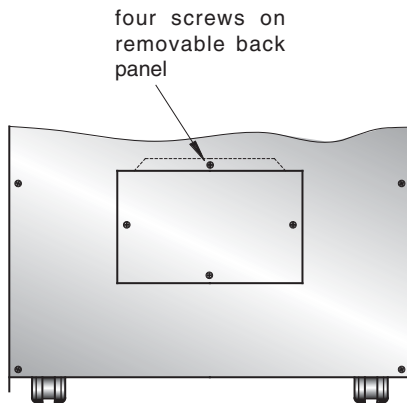


Fig. 3

Two lamps are located behind the back panel as indicated in Fig. 3. To gain access to the lamps, the four screws which secure the back panel, must be removed. Remove and slide out panel as indicated in Fig. 4.

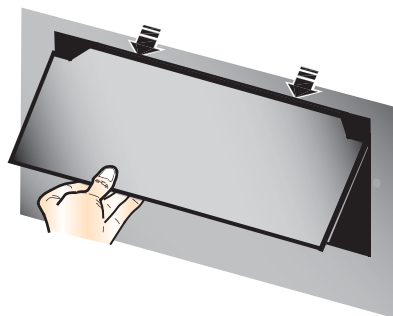


Fig. 4

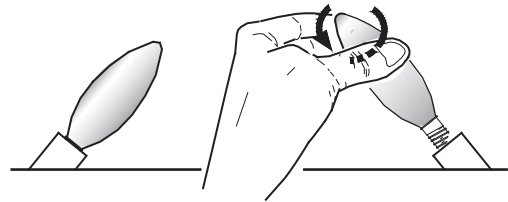


Fig. 5

Remove the defective lamp by unscrewing it as shown -see Fig. 5. Replace with a 60W E14 SES Clear Candle lamp.

Take care not to over-tighten the lamp. Refit the back panel and secure with the four screws.

Thermal Safety Cut-out

The built-in overheat cut-out switches of the appliance automatically in the event of a fault. Switch off the appliance or disconnect the mains plug from the socket. After a short cooling down phase, the appliance is ready for use again. If the fault should occur again, see your local dealer.

WARNING: In order to avoid a hazard due to inadvertent resetting of the thermal cut-out, this appliance must not be supplied through an external switching device, such as a timer, or connected to a circuit that is regularly switched on and off by the utility.

Cleaning

For general cleaning use a soft clean duster – never use abrasive cleaners. The viewing screen should be cleaned carefully with a soft cloth. DO NOT use proprietary glass cleaners.

After Sales Service

Please see the separate Warranty leaflet for details of your Warrantee & after sales service including contact details. Should you require after sales service, please get in touch with the supplier through whom you purchased the appliance, or the contact number on your Warranty leaflet.