

Shaftesbury : Model No. SHA 20 with Optiflame plus effect.
Somerley : Model No. SOM 20 with Optiflame effect.
Incorporating a 2kW Fan Heater.

AUS / NZ

Issue 2. 10/01/02 8/18540/0

IMPORTANT: THESE INSTRUCTIONS SHOULD BE READ CAREFULLY AND RETAINED FOR FUTURE REFERENCE

Introduction

This fire incorporates a flame effect, which can be used with or without heating, so that the comforting effect may be enjoyed at any time of the year.

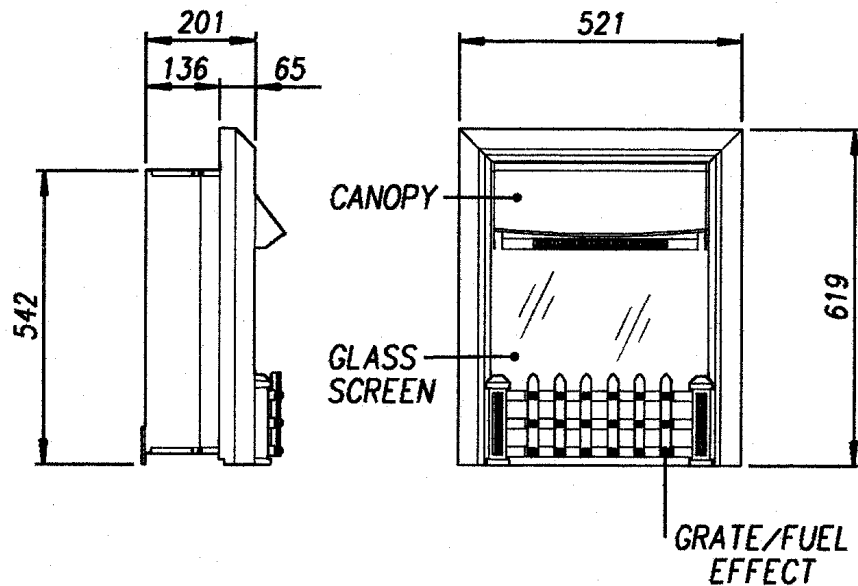
The flame effect is provided by low wattage motors and two 60 watt lamps. Using the flame effect on its own, therefore requires little electricity.

The controls are concealed behind the canopy cover. A choice of 1kW or 2kW thermostatically controlled heat output is provided by the fan heater.

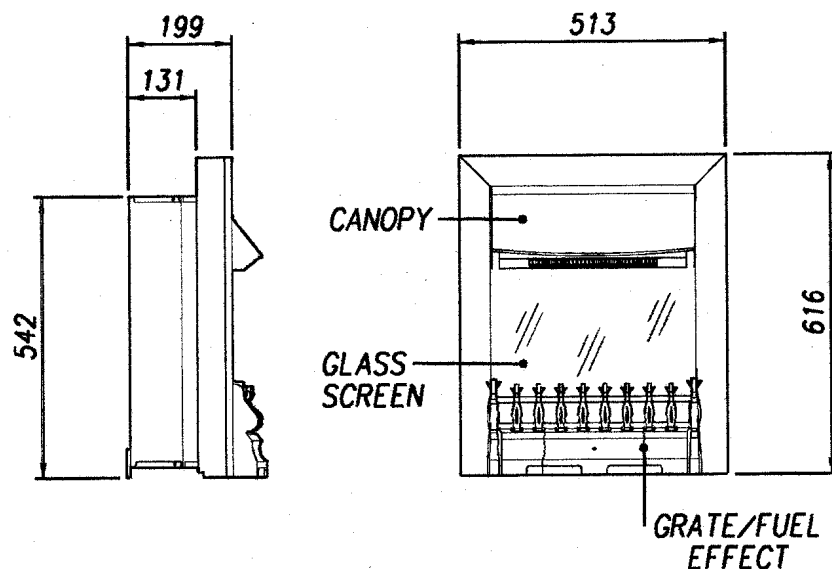
These models are designed to be inset in a fireplace opening.

Dimensions.
(Millimeters.)

SHAFTESBURY



SOMERLEY



Installation Instructions

Ensure that all packaging items are removed (read any warning labels carefully).

Unpack the heater carefully and retain the packaging for future use, in the event of moving or returning the fire to your supplier.

The grate/fuel effect is packed separately within the carton.

Both heaters are designed for use inset into a 407mm (16") or 457mm (18") wide by 559mm (22") high fireplace opening. With the heater positioned in the fireplace opening, position the fuel effect as follows.

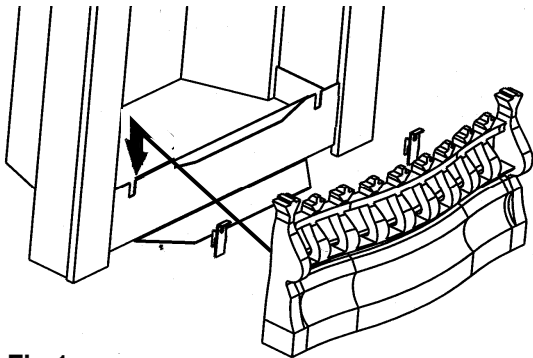


Fig.1

Somerley:

An additional bag of coal is packed with the grate/fuel effect. Locate grate in position by lining up the brackets on the grate and the notches in the metal panel below the plastic fuel effect. Hook the grate into position. (See fig. 1).

Remove the coal pieces from the plastic bag using the plastic glove provided. Protect the floor from possible dust and coal particles when handling the coals.

Arrange the coals on the fuel bed.

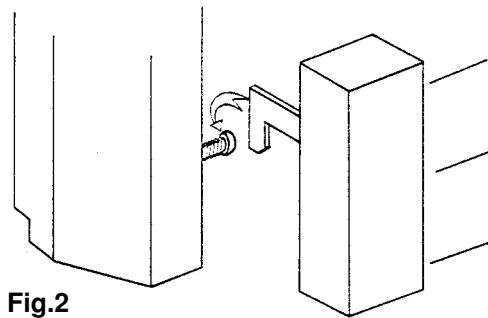


Fig.2

Shaftesbury

The grate fuel effect is located on the side screws of the surround. (See fig.2)

Preparation for use

This heater must be used on an AC~ supply only and the voltage marked on the heater must correspond with the supply voltage.

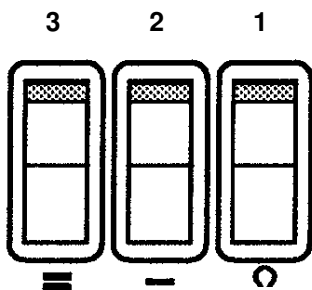
Warning: This appliance must be earthed

Important Safety Advice:

When using electrical appliances, Basic precautions should always be followed to reduce the risk of fire, electrical shock, and injury to persons, including the following:

- If the appliance is damaged, check with the supplier before installation and operation.
- Do not use outdoors.
- Do not use in the immediate surroundings of a bath, shower or swimming pool.
- Do not locate the heater immediately below a fixed socket outlet or connection box.
- Do not cover the heater. Do not place material or garments on the heater, or obstruct the air circulation around the heater, for instance by curtains or furniture, as this could cause overheating and a fire risk.
- The appliance is not intended for use by young children or infirm persons without supervision.
- Young children or infirm persons should be supervised to ensure that they do not play with the appliance.
- Do not use this heater in series with a thermal control, a program controller, a timer or any other device that switches on the heat automatically, since a fire risk exists when the heater is accidentally covered or displaced.
- Ensure that furniture, curtains or other combustible material are positioned no closer than 1 metre from the heater.
- In the event of a fault unplug the heater.
- Unplug the heater when not required for long periods.
- Although this heater complies with safety standards, we do not recommend its use on deep pile carpets or on long hair type of rugs.
- The appliance must be positioned so that the plug is accessible.
- If the supply cord is damaged it must be replaced by the manufacturer or service agent or a similarly qualified person in order to avoid a hazard.

Operation



The controls are located on the right hand side beneath the hinged canopy cover. Raise the canopy cover to access the controls.

Three switches provide a choice of heat settings and an adjustable thermostat enables the room temperature to be controlled by adjusting the setting accordingly. A switch is in the ON position when the red indicator mark on the switch is visible.

Switch1- Controls the electricity supply to the heater and the flame effect.

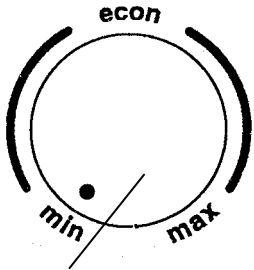
Switch2- Provides 1KW heat output with thermostat control.

Switch3- Provides 2KW heat output with Switch 1, which is thermostatically controlled.

Setting the Thermostat.

Plug in and set all switches to ON. Turn the thermostat knob to MAX to warm the room rapidly. When the room temperature has reached the desired level, turn the thermostat knob back slowly until the thermostat just clicks off. The heater will then maintain the room temperature at the chosen level.

Thermostat.



Thermostat

Note: Once the thermostat has switched the appliance off it may take some time before the heater comes back on. This does not mean that the appliance is faulty.

Thermal Safety Cut-Out.

A thermal safety cut-out is incorporated in the heater to prevent damage due to overheating.

This can happen if the heat output was restricted in any way. The heater will switch on once the obstruction has been removed and the heater has cooled. If the cut-out continues to operate intermittently, the heater should be switched off and a service agent contacted.

Maintenance

Warning: Always disconnect before attempting any maintenance.

Lamp replacement

There are two lamps located beneath the fuel effect. To gain access to the lamps the grate/fuel effect must be removed.

Shaftesbury: Carefully remove the grate fuel effect and then lift clear of the glass screen and set aside.

Somerley: Remove the coals.

Unhook the grate by lifting and pulling it out.

Remove the plastic fuel effect by unscrewing the 2 screws located at each end of the fuel effect.

Replace the defective lamp with a 60 watt 240V 2 pin Bayonet Cap (B22) Fire Glow Lamp.

Replace grate/fuel effect.

Cleaning.

Before commencing cleaning, unplug the heater and allow it to cool. The surface of the heater should be given an occasional wipe over with a soft cloth. Do not use detergents, abrasive cleaning powder or polish on the body of the heater.

The viewing screen should be cleaned carefully with a chamois leather DO NOT use proprietary glass cleaners.

After sales service.

Your fuel effect fire is guaranteed for one year from the date of purchase.

We undertake to Exchange or repair free of charge within this period, any part (with the exception of a lamp bulb) found to be defective due to a manufacturing fault.

Should you require After Sales Service, please get in touch with the supplier through whom you purchased the appliance.

Please do not initially return a faulty appliance or part of an appliance to us as this may result in transit damage and /or delay in providing service.

Let us know your difficulty, quoting the model number and series letter of the appliance. We will then take the appropriate action.



The product complies with the Australian/New Zealand Safety Standards AS/NZ S 335.2.30:1997 and also the European Standard Electromagnetic Compatibility (EMC) EN 55 014-1:1993, EN 61000-3-2:1995, EN 61000-3-3:1995, EN 55 014-2:1997 which cover the essential requirements of EEC Directive 89/336/EEC.

Hagemeyer (Australasia) B.V.
104 Vanessa Street
Kingsgrove NSW 2208
AUSTRALIA
Tel: 1300728223

Monaco Corporation
10 Rothwell Avenue
Albany, Auckland
New Zealand
PO Box 4399. Tel. (09) 415 6000