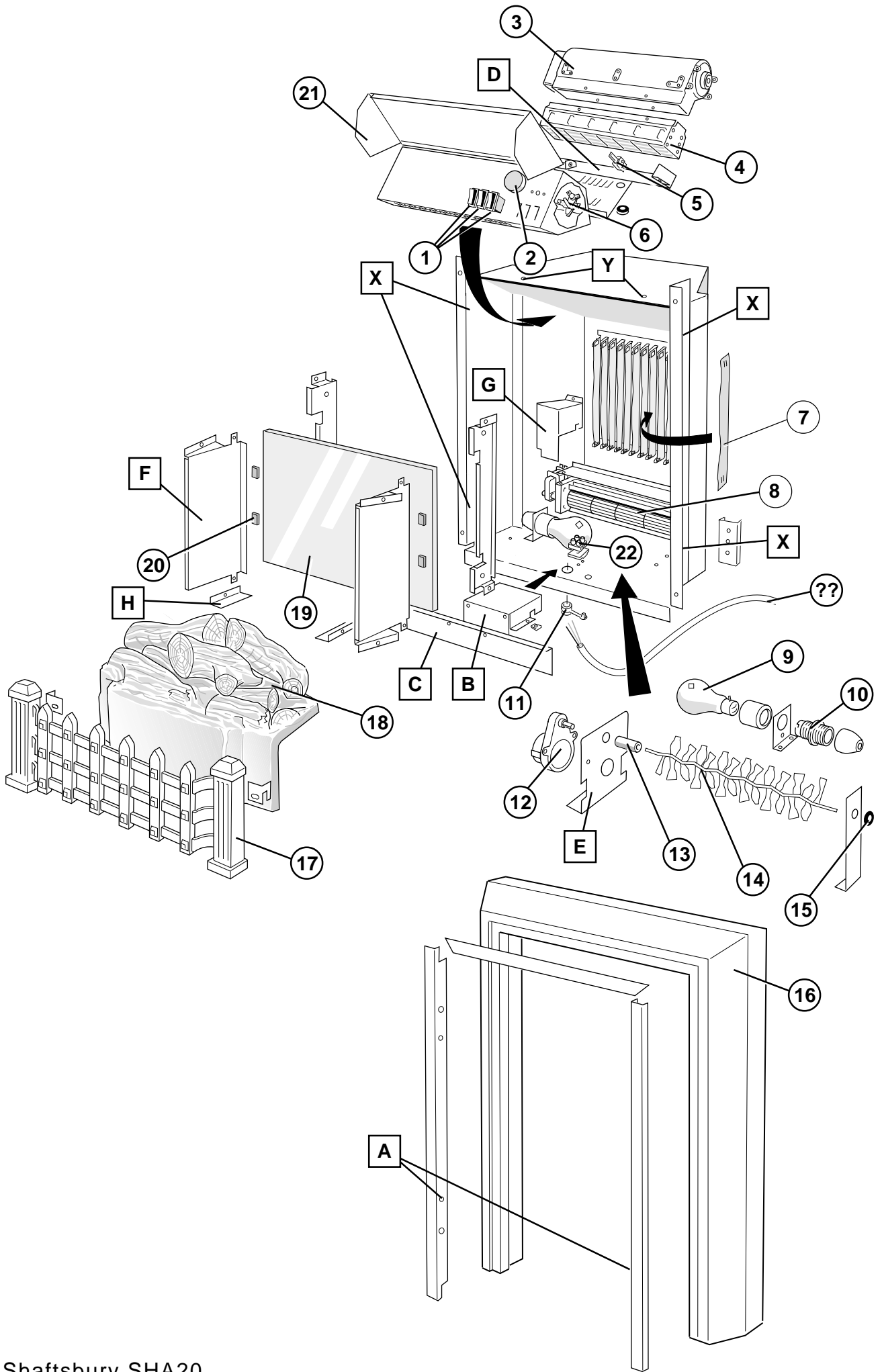


Shaftsbury SHA20



Shaftsbury SHA20

# TECHNICAL DATA

<b>Model</b>	<b>SHA20</b>
<b>Colour</b>	Black & Brass
<b>Country of Origin</b>	Irish Republic
<b>Fuel Effect</b>	Optiflame Elite (log)
<b>Heat Source</b>	Fan Heater
<b>Thermostat</b>	Bi-metal leaf
<b>Electrical Supply</b>	230- 240 Volts 50 Hz AC
<b>Total Loading:</b>	1956-2136 Watts
	Elements: 1820-2000 Watts
	Lamps: 2 x 60 Watts BC Lamps
	Motors: 2 x 6.5 Watts, 1 x 2.5 Watts

---

## SERVICING AND DISMANTLING INSTRUCTIONS

**ENSURE APPLIANCE IS DISCONNECTED FROM THE ELECTRICITY SUPPLY BEFORE DISMANTLING.**

**NOTE ALL CONNECTION DETAILS AND ROUTING OF LEADS BEFORE DISMANTLING.  
ALWAYS REPLACE CABLE TIES ON RE-ASSEMBLY.**

Numbers appearing in the text refer to illustrations and parts list numbers.

### LAMP REPLACEMENT

- 1.1 Grasp the grate 17 and lift it upward and away from the fire. Grasp the fuel effect and ease it out past grate retaining screws at position "A", then lift it away.
- 1.2 Grip the defective lamp near its centre and rotate the lamp anti-clockwise until it comes out of its holder. Replace the defective lamp with a 240V, 60W BC Fireglow lamp.
- 1.3 Reassemble, ensuring that the fuel effect sits correctly behind the grate retaining screws at position "A", then refit the grate, engaging the hooked brackets over the two retaining screws.

### MAINS CABLE

- 2.1 Remove the grate and fuel effect as detailed in 1.1 above, and lay the fire on its back on a soft surface.
- 2.2 Release the two screws securing terminal cover box "B", from underneath the chassis, and lift the box away with light baffle "C" attached.
- 2.3 Disconnect the live and neutral leads from terminal block 22 and the earth screw assembly. Release cable clamp arm 11 by squeezing the barbs from inside the chassis. Use a pair of long-nosed pliers to squeeze the cable clamp locking tab and withdraw the clamp 11 and cable 12.
- 2.4 Reassemble, ensuring that wires are not trapped by the terminal cover box.

### LOG FLAME EFFECT

- 3.1 Remove the grate and fuel effect and terminal cover box "B" as detailed in 2.1 and 2.2 above.
- 3.2 Detach the leads from rotisserie motor 12 to the terminal block 1. Cut cable ties where necessary to thread the motor leads through the heat sleeving.
- 3.3 Release the two screws holding motor bracket "E", grasp motor coupling 13 and withdraw motor 12. Flames rotisserie 14 is also a push fit on coupling 13 and the other end sits loosely in grommet bush 15.
- 3.4 To detach the motor, release the two bright screws attaching it to the motor bracket.
- 3.5 Reassemble in reverse order, ensuring that cable ties are replaced where necessary and that no wires are trapped by the terminal cover box. Check that the rotisserie rotates without obstruction before refitting the fuel effect.

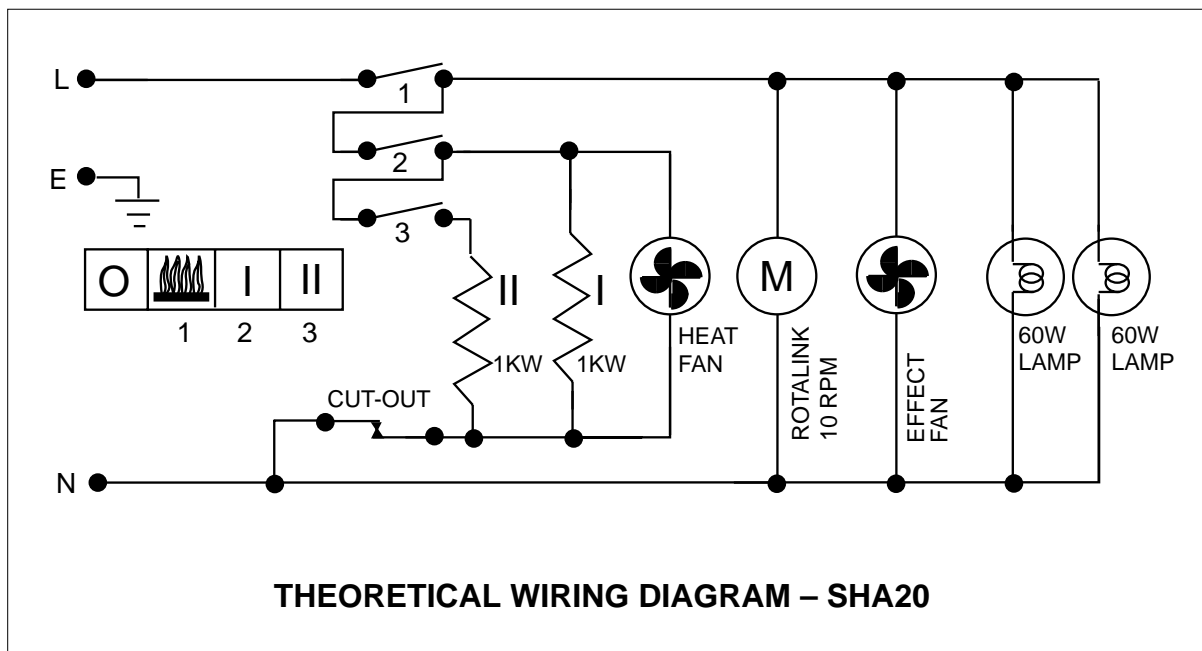
## REAR FLAME EFFECT

- 4.1 Remove the grate and fuel effect and terminal cover box "B" as detailed in 2.1 and 2.2 above.
- 4.2 Remove glass retaining panels "F", each secured by two screws inside and one outside the chassis, and lift mirrored glass 19 clear.
- 4.3 Remove motor guard "G", secured by one screw from the rear and one from underneath the chassis.
- 4.4 Blower unit 8 is secured by four screws, from the underside of the chassis.
- 4.5 Connections are by push-on terminals. Note positions before disassembling.
- 4.6 Cloth flags hook onto supports at top and bottom. Ensure all flags hang freely.
- 4.7 Reassemble in reverse order, ensuring that cable ties are replaced where necessary and that no wires are trapped by the terminal cover box.

## FAN HEATER AND CONTROLS

- 5.1 Remove the log effect, and lay the fire on its back on a soft surface.
- 5.2 Remove the mirrored glass, as detailed in 4.2 above.
- 5.3 Stand the fire back up and remove the four screws at position "X", securing the surround to the chassis and lift the surround away.
- 5.4 Remove the two screws near the top of the rear panel and, whilst supporting the fan heater assembly, the two screws at position "Y" in the top of the chassis securing the fan heater assembly. The heater assembly can now be positioned in front of the chassis to the extent of the connecting leads.
- 5.5 Canopy hood 21 is secured by pop rivets. Drill out the rivets, and on reassembly replace with rivets size M3.2 - 6.5mm.
- 5.6 Heat blower unit 3 is secured to the control panel by four screws. Element 4 is secured to the blower unit by four screws and cut-out 5 is secured to the element by a single screw.
- 5.7 The switches are a push fit; compress the clips on the switch body and ease the switch 1 forward and out. Note connections before disconnecting push-on terminals.
- 5.8 Thermostat 6 is secured by two screws through the control panel; pull off control knob 2 to access the screws.

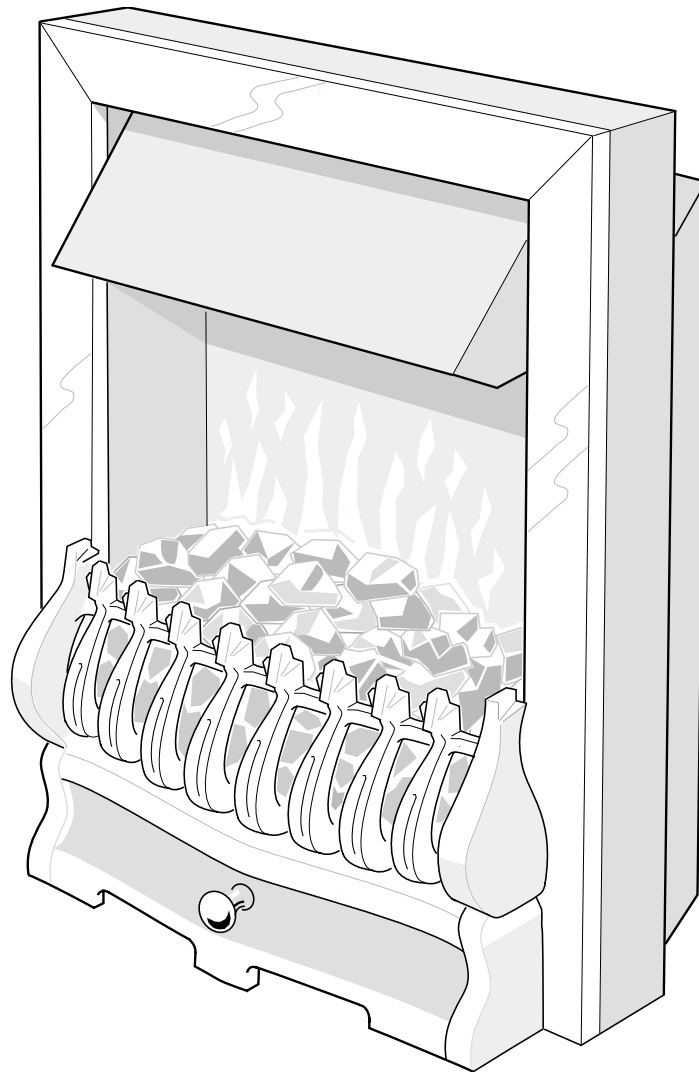
**AFTER SERVICING, IT IS RECOMMENDED THAT THE PRODUCT IS TESTED FOR INSULATION AND EARTH CONTINUITY, IN ACCORDANCE WITH RELEVANT LOCAL SAFETY REGULATIONS.**



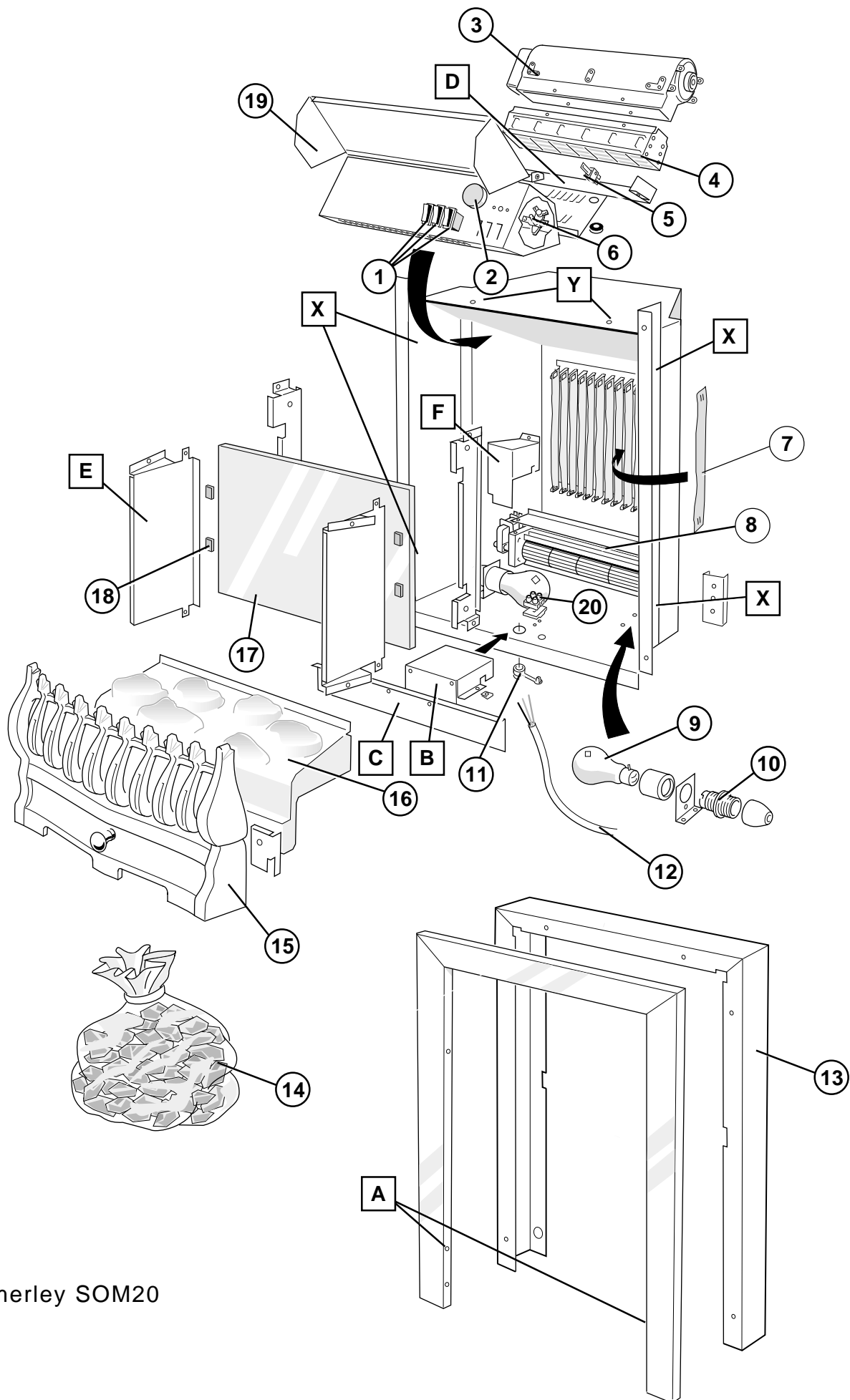
## PARTS LIST

## SHAFTESBURY SHA20 LOG

ITEM	CAT NO	WATTS	VOLTS	DESCRIPTION	COLOUR	MODEL
1	BF7211			SWITCH		
2	FP00012			CONTROL KNOB		
3	FP9557			BLOWER UNIT HEAT		SER A
	FP01072			BLOWER UNIT HEAT		SER B - D
	FP03029			BLOWER UNIT HEAT		SER E
4	FP9410	2000	230/240	ELEMENT ASSY		SER A
	FP01073	2000	230/240	ELEMENT ASSY C/W CUT OUT		SER B - D
	FP03030	2000	230/240	ELEMENT ASSY C/W CUT OUT		SER E
5	FB9402			CUT OUT		SER A
6	BF9433			THERMOSTAT		
7	FP01003			CLOTH FLAGS x 10		
8	FP00003			BLOWER UNIT		
9	BF7223	60		LAMPS	RED	
10	BF7226			LAMPHOLDER		
11	FP9005			CABLE CLAMP		
12	FP9929			GEARED MOTOR 10RPM		
13	FP20007			MOTOR COUPLING		
14	FP20005			ROTISSERIE FLAMES		
15	FP9554			RUBBER GROMMET		
16	FP01094			SURROUND ASSY		
17	FP01096			GRATE ASSY		
18	FP01095			LOG EFFECT		
19	FP01084			MIRRORED GLASS		
20	FP9605			GLASS RUBBER BUFFERS		
21	FP01058			CANOPY HOOD		
22	BU9502			TERMINAL BLOCK		



Somerley SOM20



Somerley SOM20

# TECHNICAL DATA

<b>Model</b>	<b>SOM20</b>
<b>Colour</b>	Black & Brass
<b>Country of Origin</b>	Irish Republic
<b>Fuel Effect</b>	Optiflame Plus (Real Coal)
<b>Heat Source</b>	Fan Heater
<b>Thermostat</b>	Bi-metal leaf
<b>Electrical Supply</b>	230- 240 Volts 50 Hz AC
<b>Total Loading:</b>	1956-2136 Watts
	Elements: 1820-2000 Watts
	Lamps: 2 x 60 Watts BC Lamps
	Motors: 2 x 6.5 Watts, 1 x 2.5 Watts

---

## SERVICING AND DISMANTLING INSTRUCTIONS

**ENSURE APPLIANCE IS DISCONNECTED FROM THE ELECTRICITY SUPPLY BEFORE DISMANTLING.**

**NOTE ALL CONNECTION DETAILS AND ROUTING OF LEADS BEFORE DISMANTLING.  
ALWAYS REPLACE CABLE TIES ON RE-ASSEMBLY.**

Numbers appearing in the text refer to illustrations and parts list numbers.

### LAMP REPLACEMENT

- 1.1 Remove coal as necessary, then grasp the grate/fuel effect assembly 15, 16 and lift it upward and away from the fire.
- 1.2 Grip the defective lamp, push in and twist it anti-clockwise to release it from its holder. Replace the defective lamp with a 240V, 60W BC Fireglow lamp.
- 1.3 Reassemble, ensuring that the grate/fuel effect assembly engages the hooked brackets over the two retaining screws at position "A".

### MAINS CABLE

- 2.1 Remove the grate/fuel effect assembly as detailed in 1.1 above, and lay the fire on its back on a soft surface.
- 2.2 Release the two screws securing terminal cover box "B", from underneath the chassis, and lift the box away with light baffle "C" attached.
- 2.3 Disconnect the live and neutral leads from terminal block 20 and the earth screw assembly. Release cable clamp arm 11 by squeezing the barbs from inside the chassis. Use a pair of long-nosed pliers to squeeze the cable clamp locking tab and withdraw the clamp 11 and cable 12.
- 2.4 Reassemble, ensuring that wires are not trapped by the terminal cover box.

### FLAME EFFECT

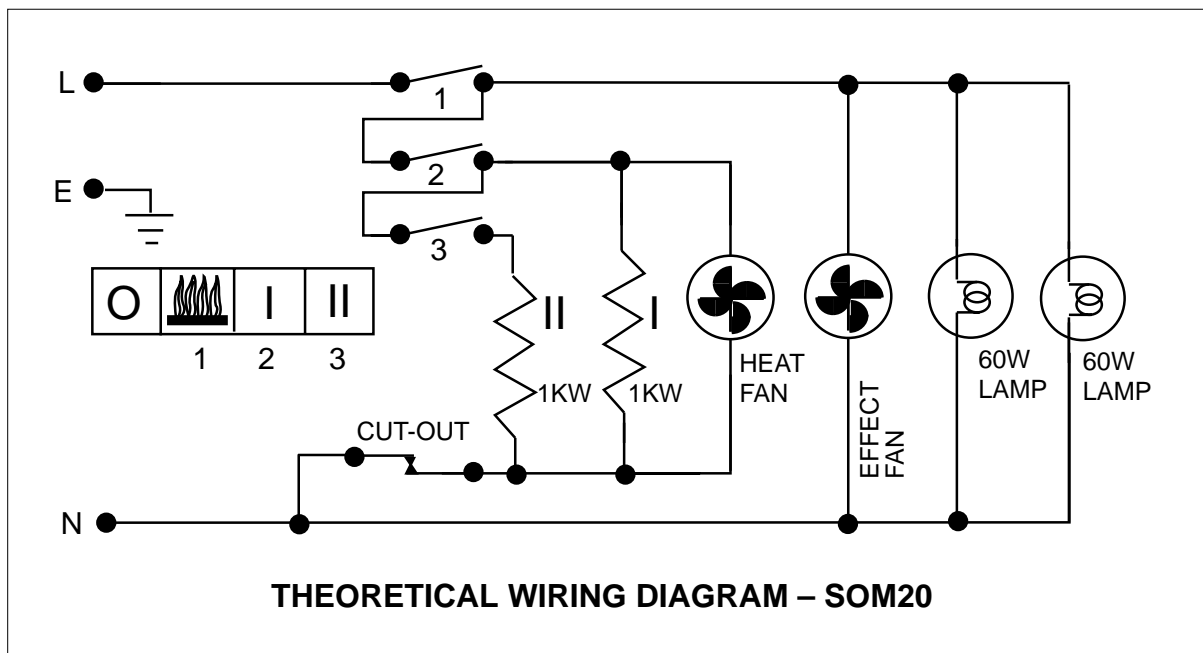
- 4.1 Remove the grate/fuel effect assembly and terminal cover box "B" as detailed in 2.1 and 2.2 above.
- 4.2 Remove glass retaining panels "E", each secured by two screws inside and one outside the chassis, and lift mirrored glass 17 clear.
- 4.3 Remove motor guard "F", secured by one screw from the rear and one from underneath the chassis.
- 4.4 Blower unit 8 is secured by four screws, from the underside of the chassis.
- 4.5 Connections are by push-on terminals. Note positions before disassembling.
- 4.6 Cloth flags 7 hook onto supports at top and bottom. Ensure all flags hang freely.
- 4.7 Reassemble in reverse order, ensuring that cable ties are replaced where necessary and that no wires are trapped by the terminal cover box.



## FAN HEATER AND CONTROLS

- 5.1 Remove the grate/fuel effect assembly, as detailed in 1.1 above, and lay the fire on its back on a soft surface.
- 5.2 Remove the mirrored glass 17, as detailed in 4.2 above.
- 5.3 Stand the fire back up and remove the four screws at position "X", securing the surround to the chassis and lift the surround away.
- 5.4 Remove the two screws near the top of the rear panel and, whilst supporting the fan heater assembly, the two screws at position "Y" in the top of the chassis securing the fan heater assembly. The heater assembly can now be positioned in front of the chassis to the extent of the connecting leads.
- 5.5 Canopy hood 21 is secured by pop rivets. Drill out the rivets, and on reassembly replace with rivets size M3.2 - 6.5mm.
- 5.6 Heat blower unit 3 is secured to the control panel by four screws. Element 4 is secured to the blower unit by four screws and cut-out 5 is secured to the element by a single screw.
- 5.7 Switches 1 are a push fit; compress the clips on the switch body and ease the switch forward and out. Note connections before disconnecting push-on terminals.
- 5.8 Thermostat 6 is secured by two screws through the control panel; pull off control knob 2 to access the screws.

**AFTER SERVICING, IT IS RECOMMENDED THAT THE PRODUCT IS TESTED FOR INSULATION AND EARTH CONTINUITY, IN ACCORDANCE WITH RELEVANT LOCAL SAFETY REGULATIONS.**



ITEM	CAT NO	WATTS	VOLTS	DESCRIPTION	COLOUR	MODEL
1	BF7211			S/P SWITCH		
2	FP00012			CONTROL KNOB PRINTED GOLD		
3	FP9557			HEAT BLOWER UNIT		SER A
	FP01072			HEAT BLOWER UNIT		SER B - C
	FP03029			HEAT BLOWER UNIT		SER D
4	FP9410	2000	230/240	ELEMENT		SER A
	FP01073	2000	230/240	ELEMENT C/ CUT OUT		SER B - C
	FP03030	2000	230/240	ELEMENT C/ CUT OUT		SER D
5	FB9402			CUT OUT (OTTER V-10)		SER A
6	BF9433			THERMOSTAT		
7	FP01003			CLOTH FLAGS		
8	FP00003			EFFECT BLOWER UNIT		
9	BF7223	60		LAMPS FIREGLOW	RED	
10	BF7226			LAMPHOLDER		
11	FP9005			CABLE CLAMP		
12	FP20020			PLUG & LEAD ASSY		
13	FP01057			SURROUND ASSY		
14	FP01034			COAL PACK		
15	FP00056			GRATE ASSY		
16	FP00055			FUEL EFFECT		
17	FP01084			REAR GLASS		
18	FP9605			RUBBER GLASS BUFFERS		
19	FP01058			CANOPY HOOD		
20	BU9502			2 WAY TERMINAL BLOCK 16AMP		