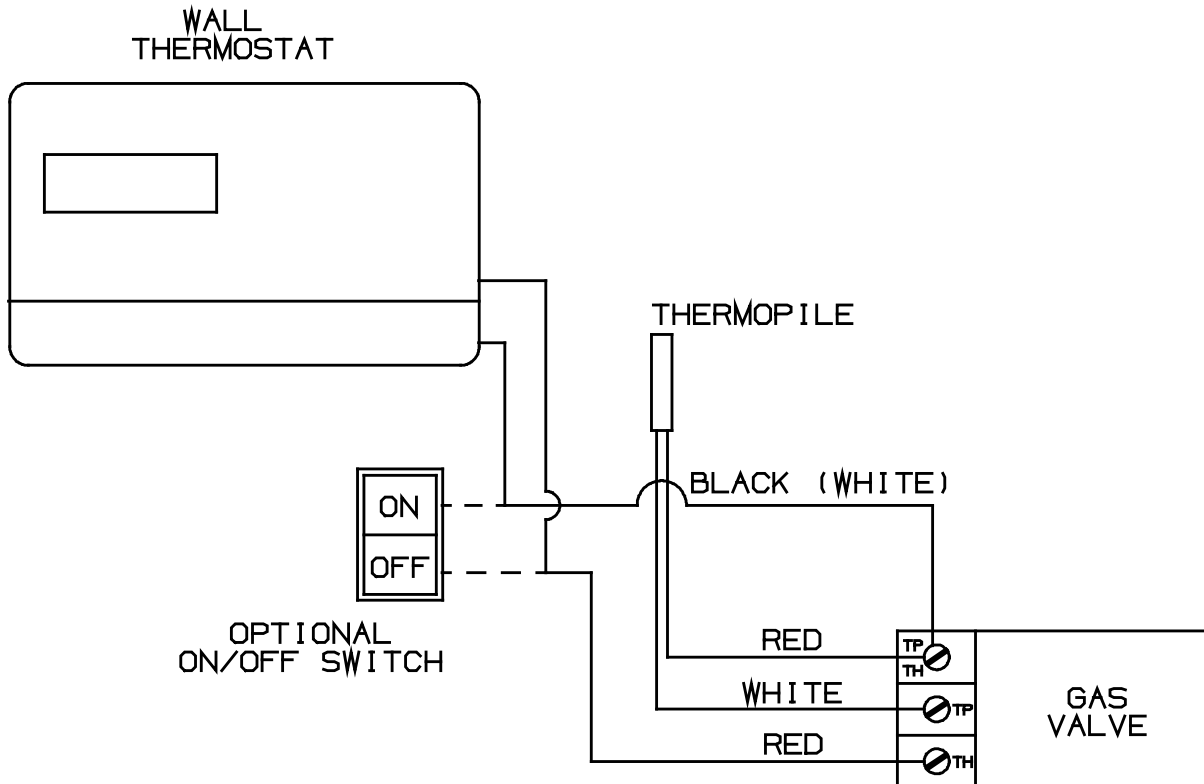


WALL STAT INSTALLATION.

The following is the procedure to connect a wall thermostat to a Masport Gasfire.

The wall thermostat is mounted to the wall and the wires run as per the instructions in the wall thermostat. There should be two wires coming from the wall thermostat and these should be connected to the gas appliance following the wiring diagram above. Refer to the instructions included with the wall thermostat for operating instructions.



Note:

For the wall thermostat to work correctly ie. turn the appliance on and off the pilot light will need to be left on and the control knob positioned and left in the on position.