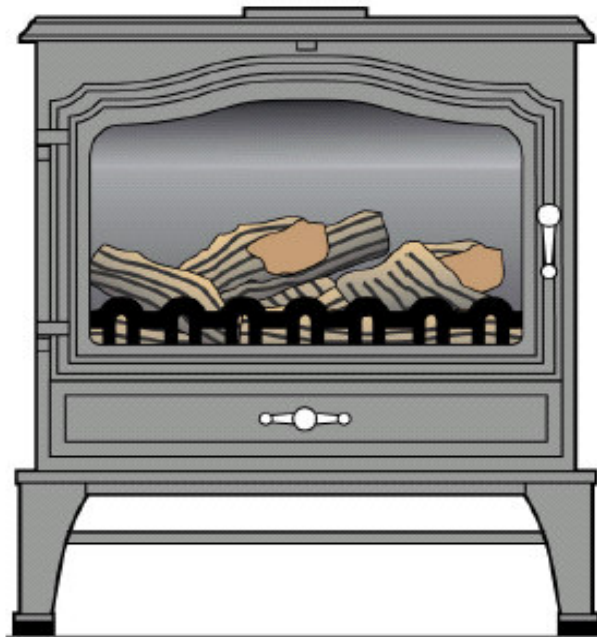


OIL FIRED STOVES

INSTALLATION & SERVICING INSTRUCTIONS
200 Series

Kingston
New Zealand

READ THESE INSTRUCTIONS AND SAVE FOR REFERENCE



THE AUTHENTIC ORIGINAL

CONTENTS

1. Technical Information
2. Important Notes
3. Dimensions
4. Installation
 - a. Installation of the stove
 - b. Chimney installation
 - c. Ventilation
 - d. Oil supply
5. Positioning of the logs
6. Installing the stove
7. Customer briefing
8. Trouble-shooting chart
9. Spare parts

1. TECHNICAL INFORMATION

FUEL – Set for either Kerosene or Diesel – USE only the correct oil (Check data plate).

DO NOT USE GASOLINE, CRANKCASE OIL, OR ANY OIL USING GASOLINE.

Oil consumption MAX	16.5 cc/min 0.99 gal/hr
Oil consumption MIN	6 cc/min 0.36 gal/hr
Heat input MAX	10.4kW (35,500 Btu/h)
Heat input MIN	3.8kW (13,000 Btu/h)
Heat output MAX	6.9kW (23,600 Btu/h)
Heat output MIN	2.76kW (9,500 Btu/h)
Oil connection	1/4" NPT
Electrical supply	NONE
Weight packed (approx)	100kgs
MAX efficiency	73%

2. IMPORTANT NOTES

The installation must be in accordance with the regulations of authorities having jurisdiction. The installation must be carried out by a qualified person. If the chimney has previously been used to burn solid fuel, the chimney should be swept before the stove is installed.

Oil burning appliances shall be connected to flues having sufficient draft at all times, to ensure safe and proper operation of the burner.

3. DIMENSIONS

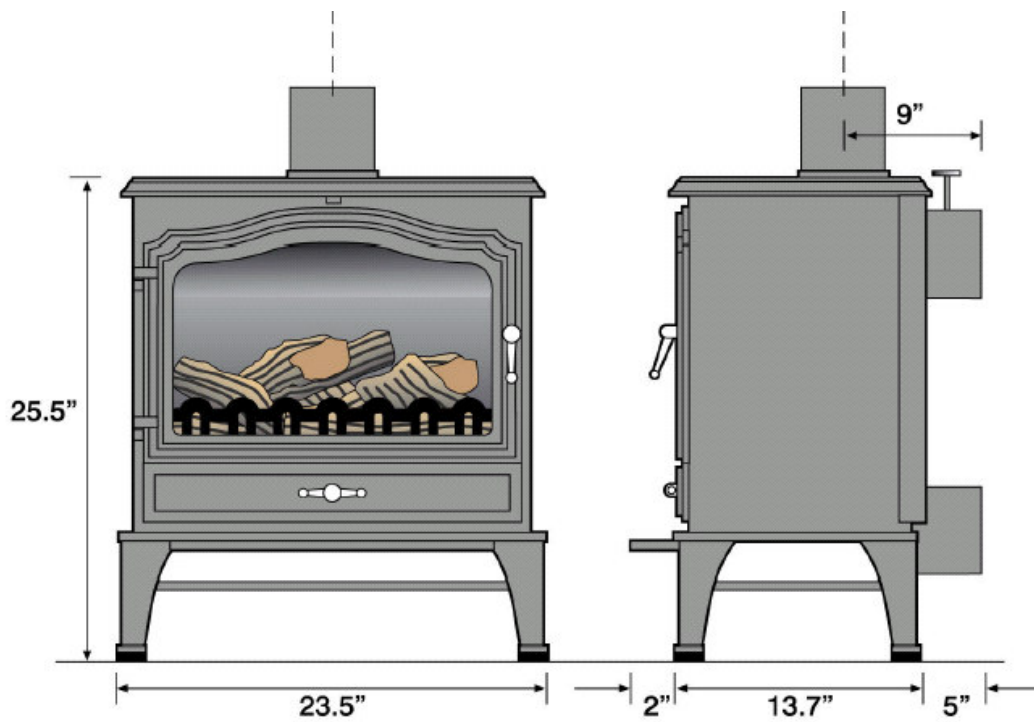
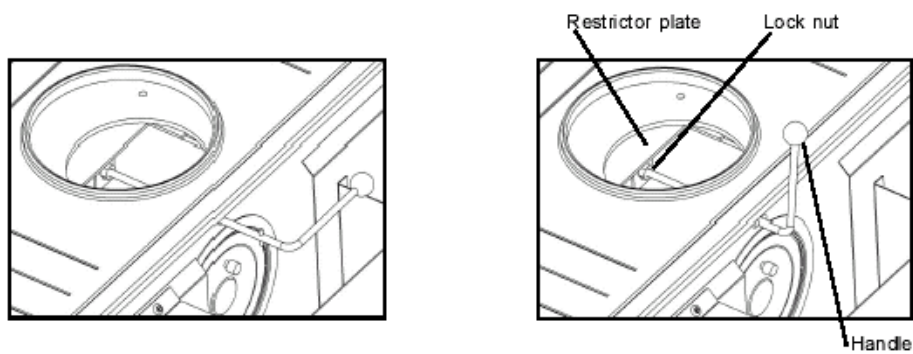


Figure 1. Dimensions

When the stove is unpacked the restrictor plate handle will need positioning in the vertical position. Hold the handle in the vertical position and tighten the lock nut as shown below.



Oil burning appliances shall be connected to flues having sufficient draft at all times, to assure safe and proper operation of the burner.

4. INSTALLATION

Install the stove in accordance with the requirements given below. If a concealed oil connection is to be made, prepare pipe work prior to installing the stove. Fit the four adjustable feet provided to each of the cast iron legs.

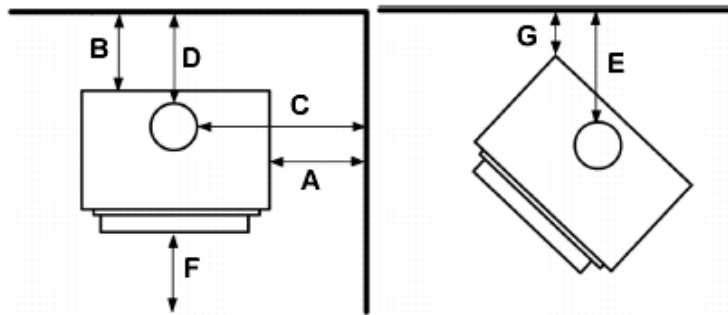
a. INSTALLATION OF THE STOVE

The stove can be installed in any adequate area suitable for solid fuel fires and stoves.

Clearances

Dimensions in mm

<u>Clearances</u>	<u>Combustible material</u>	<u>Non-combustible Material</u>
A- Sidewall to top casting	406	50
B- Backwall to top casting	267	130
C- Sidewall to flue pipe	635	279
D- Backwall to flue pipe	279	155
E- Corner to flue pipe	419	240
F- Front	914	0
G- Corner to top casting	229	50



Hearth

The stove must stand on a fireproof hearth made of non-combustible material and be of sufficient size to accommodate the stove (Fig:1).

Fire Surround

It is recommended that a fire surround should not be closer than 610mm from the stove if manufactured from combustible material.

b. CHIMNEY / INSTALLATION

The stove is supplied with a collar for 5" internal diameter flue pipe. 4" diameter flue pipe may be used with a suitable adaptor.

The stove should be connected to a chimney/flue of not less than 4" internal diameter. A continuous stainless steel liner (min 4" diameter), suitable for oil, should be used to line an existing chimney. The minimum flue height should be 15ft. In all cases the chimney should conform to relevant Building Regulations. Alternatively a clay liner to BS1181 may be used.

- 1) The fabric of the chimney must be sound and free from obstructions. Any air leaks and bad joints must be rectified.
- 2) The chimney should be terminated in such a manner to prevent ingress of rain.
- 3) The chimney must serve the stove alone and not be shared with any other appliance.

- 4) External flues of asbestos or cast iron pipe should not be used. Excessive exposure will result in heat loss and poor performance.
- 5) Means of sweeping should be included.

IMPORTANT

For the burner to function correctly at maximum efficiency a steady flue draft not exceeding 0.12" w.c. and not less than 0.04" w.c. is required. The draft should be assessed with a reliable manometer as described in "6 Commissioning". **Down draft cannot be tolerated** and arrangements must be made to overcome this condition when it occurs. Flue pipe connection should be made with good quality fire cement to make sure of an airtight seal between the stove and flue pipe. Any soot door, register plate etc, must also be sealed to form an airtight joint. No air should enter the chimney except through the inlets through the stove.

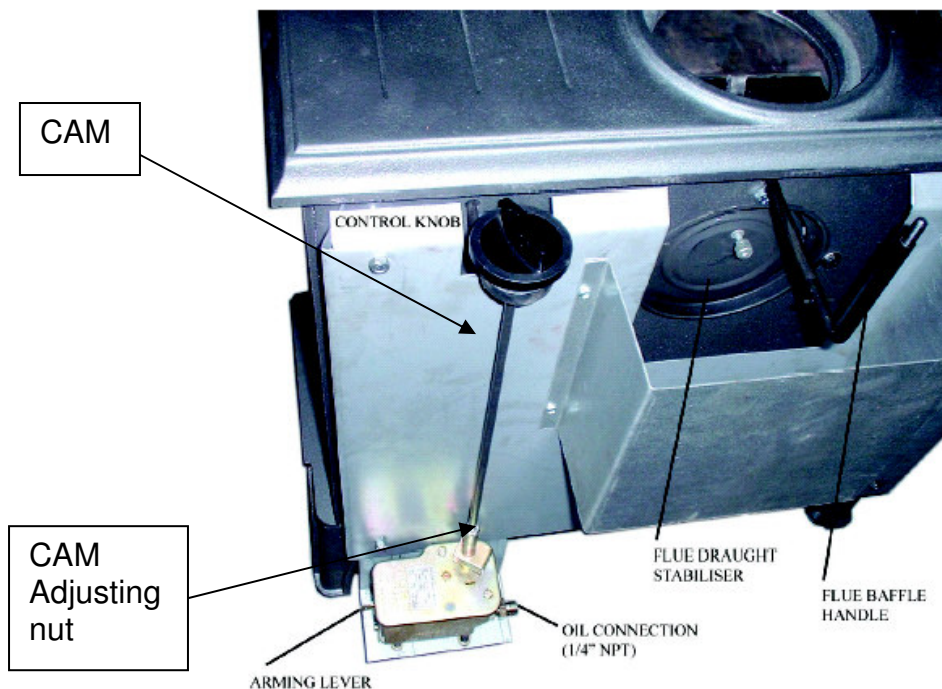
c. VENTILATION

Ventilation should be in accordance with national regulations.

d. OIL SUPPLY (FIG 2)

Each stove is factory set for use on either Kerosene or Diesel. Incoming oil supply should not be of less than 8mm diameter copper. Make the oil connection to the stove. The oil connection is 1/4" NPT on the oil valve at the rear of the stove.

The data plate on the back of the stove is marked either Kerosene or Diesel. Additionally check the label on the oil valve (fig 5). Use only the correct fuel oil.



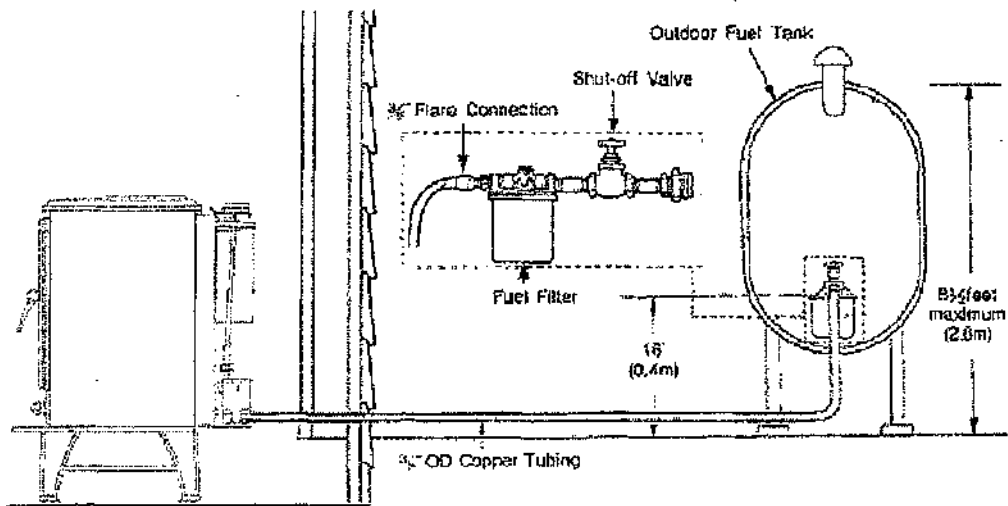


Figure 2. Oil connection

5. POSITIONING THE LOGS

Open the stove door. Spread the vermiculite supplied evenly around all four edges of the burner pot. Do not allow vermiculite to fall into the burner pot.

Position log No: 1 at the rear of the burner as shown.



Position log No: 2 and No: 3 as shown.



Position log No: 4 and Log: 5 as shown.



Position log No: 6 and No: 7 as shown.



Position log No: 8 as shown. Close the stove door.



6. INSTALLING THE STOVE

The installation should be inspected to ensure that the work is complete and the workmanship satisfactory. No stove should be installed if any part of the installation does not comply with relevant standards and regulations.

It is recommended that the following procedure is carried out to ensure that the oil is free of contaminants (e.g. water).

Ensure that the fire valve is closed. Temporarily uncouple the inlet pipe at the oil valve on the stove, open the fire valve and collect approximately one litre of oil into a suitable receptacle. If dirt or water is present in this sample, additional oil should be run off until it is free of contaminants.

Close the fire valve, reconnect the inlet pipe and re-open the fire valve. Inspect the pipe work and ensure there are no leaks.

Level the stove using the four adjustable feet provided. Check that the Toby oil valve is level. Connect a suitable draught gauge to the flue.

Push the flue baffle handle fully forwards towards the wall. Check that the control knob will only go to setting No.1. If another setting, i.e. No.2 is possible, adjust the CAM so that only setting No.1 is possible (Fig.2).

Flue Stabiliser (Fig: 2)

Check the setting of the stabiliser. This should be adjusted if necessary to start to open at a flue draught of approximately 0.06" w.c.

Operating the Stove

Pull the flue baffle handle fully forwards to the open position (Fig: 2). Lift up the oil valve arming lever and release (Fig:2 and Fig:5).



Remove the burner chamber door and remove the burner lighting plug (Fig: 3). Insert the end of the kindler supplied into the lighting port and push the kindler down to the bottom of the pot. Turn the oil control knob to the highest setting (No: 3) and allow a few seconds for the kindler to absorb fuel then turn the control knob to the OFF position. Remove the kindler, light and re-insert into the pot. Turn the control knob to setting No: 2.

After about five minutes, remove the kindler, check the fuel is alight, replace the lighting plug and close the chamber door. Allow the kindler to cool, then store in the tray below the control valve.

After approximately 10 minutes, turn the control knob to the maximum (No.3) setting, and push the flue baffle handle fully towards the wall. If necessary adjust the stabiliser at the back of the stove to give a good flame picture without 'excessive soot. Check the flue draught is not exceeding 0.12" w.c. and not less than 0,04" w.c. Inspect all pipe work and ensure there are no leaks.

The maximum and minimum oil consumption is factory set and should not need adjustment (Fig: 5).

If the flame is too blue, check stove is level back to front and left to right. If flame is still too blue, the flue draught may be too strong – adjust the stabiliser.

If the flame is too yellow, flue draught is too low or 'the stabiliser is open too much.

Turn the stove off by turning the control knob fully clockwise to the OFF position.

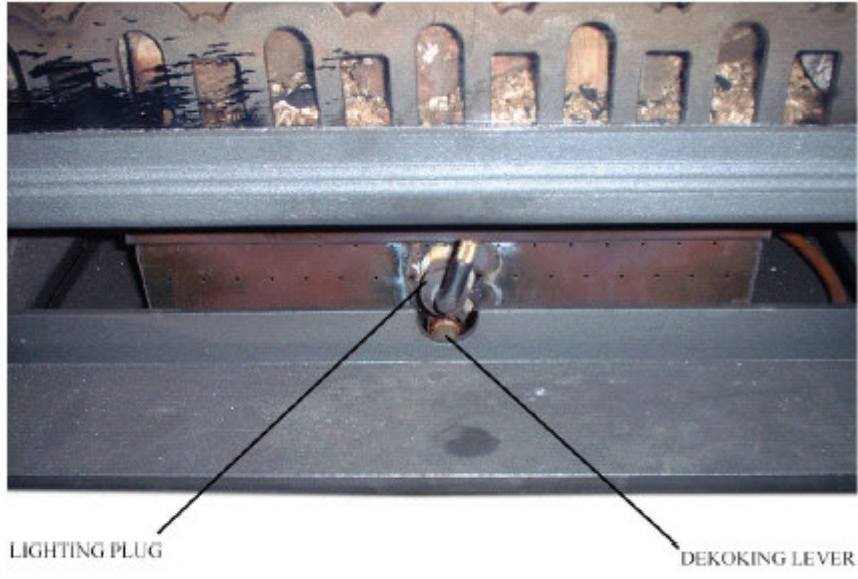


Fig. 3

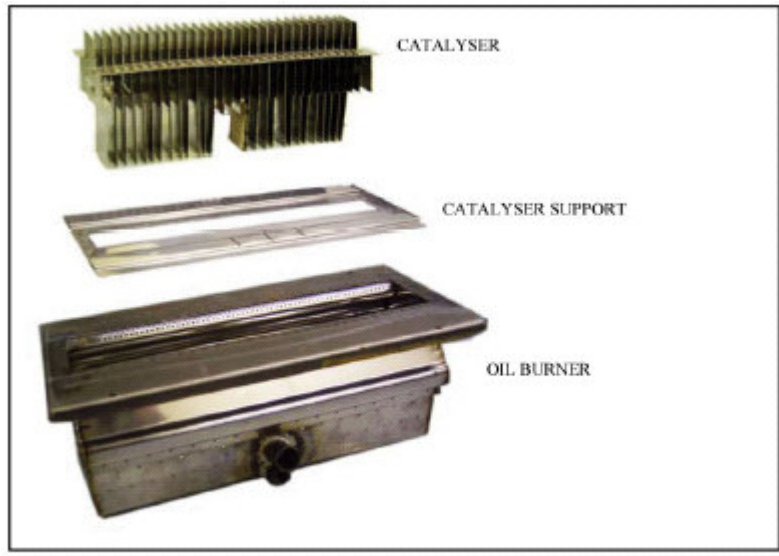
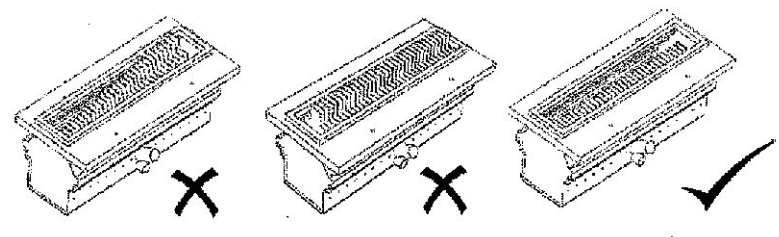


Fig 4.



7. CUSTOMER BRIEFING

Hand these instructions and the User Instructions to the Customer. Advise the Customer how to use the stove. **Do not attempt to re-light the stove until it is cold.** Point out that the operating procedure is in the User Instructions. Advise that if the stove goes out for any reason, wait until the stove is cold before re-lighting. Advise the Customer that due to the new material the stove may give off a slight smell for a period of time after commissioning. This is quite normal and odours should disperse after a few hours operation. Stress that no extra coals or logs must be added over and above those supplied with the stoves, and that any replacements must only be authorised Ouzledale spares.

Advise that the stove is designed for continuous use between minimum (No: 1) and maximum (No: 3) settings and should only be turned off in summer.

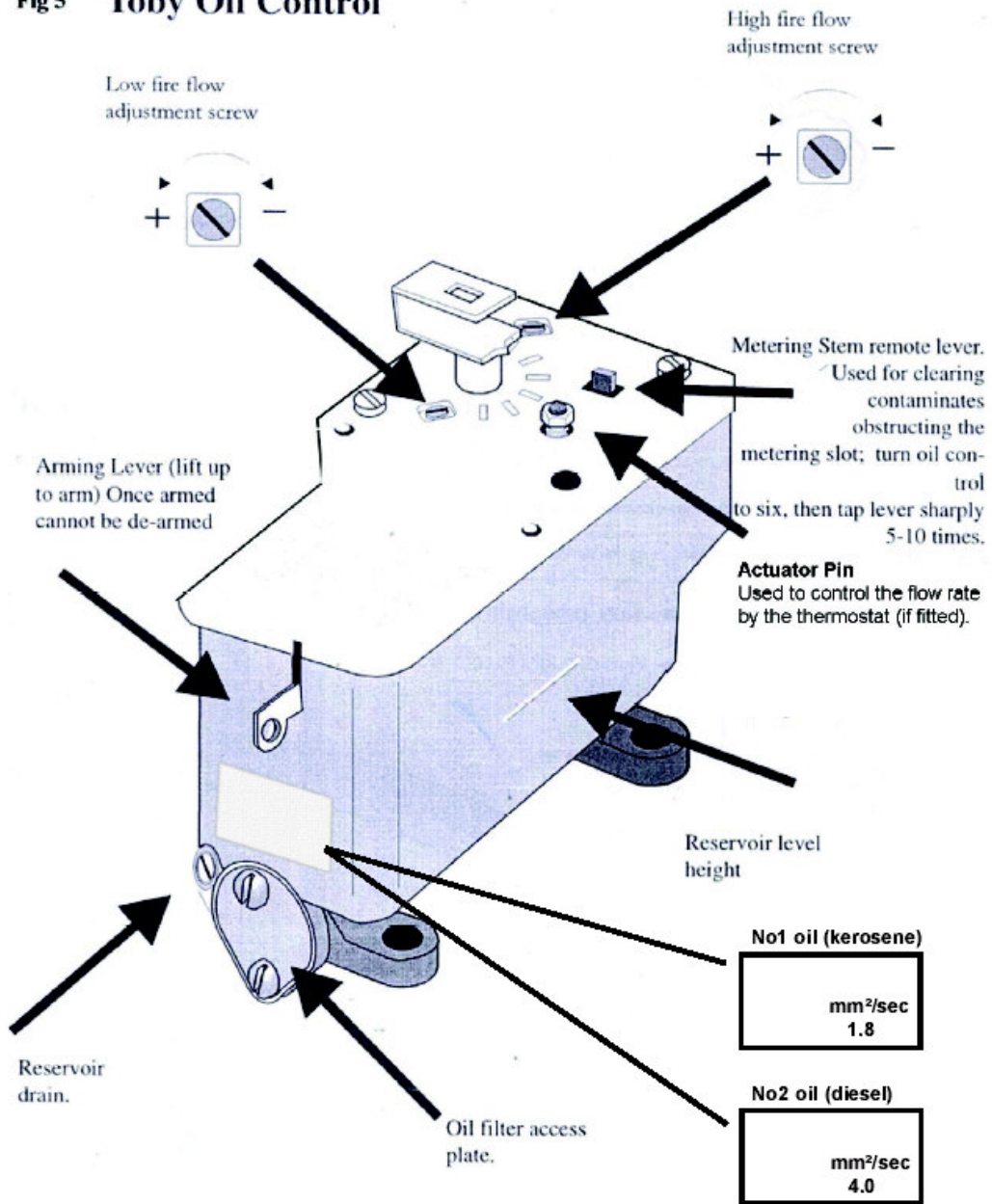
It is recommended that the stove be annually serviced during the summer months, and the flue system checked by qualified persons.

8. SERVICING INSTRUCTIONS

A qualified person (OFTEC) should carry out the following procedures annually. Ensure that the stove is turned off and cold.

- a. Examine the flue for evidence of heavy sooting and where this is evident, the flue should be swept.
- b. Examine all flue joints and reseal where necessary.
- c. Open the stove door. Remove the ceramic logs and clean carefully with a soft brush.
- d. Remove the burner catalyser and support plate and assess its suitability for a further 12-months operation (Fig: 4). Deterioration or heavy black carbon deposits indicate poor flue draft. Red oxidation should not be cleaned off, as this aids efficient burning on LOW rate.
- e. Examine the inside faces of the burner pot for deposits and clean as necessary.
- f. Slacken the brass nut on the de-coking lever by a ¼ of a turn, and rotate the lever whilst withdrawing approximately 30mm. Insert the lever fully back in whilst continuing to rotate. Re-tighten the brass nut (Fig: 3).
- g. Remove any soot or debris from the stove and drip tray.
- h. Examine the glass for damage and replace if necessary.
- i. Clean the glass with a proprietary glass cleaner. **DO NOT USE AN ABRASIVE CLEANING AGENT.**
- j. Examine the door rope seal and replace if necessary.
- k. Examine the oil valve and control knob extension for damage.
- l. Examine all pipe work for signs of leaks.
- m. Re-assemble the catalyser and support plate (Fig: 4).
- n. Re-assemble the ceramic logs.
- o. Close the stove door.
- p. Install the stove as described in Section: 6 “Installing the Stove”.

Fig 5 Toby Oil Control



9. TROUBLE SHOOTING CHART

SITUATION	POSSIBLE CAUSES	REMEDIES
No oil flows to the burner pot or oil control	Oil tank empty	Fill up with correct oil
	Lock out valve closed	Open lock out valve
	Oil control switched to safety position	Lift and release arming lever
Too little oil flows to the burner pot	Burner feed coked	Remove coke
	Valve not level	Level valve
	Oil control is dirty	Clean oil control
	Oil flow set too low	Calibrate oil control
Too much oil flows to the burner pot	Oil flow set too high	Calibrate oil control
Oil flow to burner pot fluctuates	Dirty metering stem slit	Tap the actuating pin
		Clean the oil control
Safety device is constantly tripped	Oil control very dirty	Clean the oil control
Oil control is turned off and oil still flows to the burner pot	Washer of the metering stem is defective	Renew metering stem washer
	Dirty oil control	Clean the oil control
Poor flue draught	Obstruction	Clear and clean
	Chimney too low	Raise height above ridge, fit flue liner
	Chimney too wide	Fit flue liner
	No flue liner	Fit flue liner
	Flue draught stabiliser incorrectly set	Re-set flue draught stabiliser
Excessive flue draught	Flue draught stabiliser incorrectly set	Remove accessory box and re-set flue draught stabiliser
Down draught	High Trees	Raise chimney height
	High buildings	Raise chimney height
	Low chimney	Raise chimney height
	Negative pressure zone	Fit anti-down draught cowl
Stove smoking	Insufficient air	Provide additional room air
	Chimney choked	Clean chimney
	Down draught	Raise chimney height or fit anti-down draught cowl
	Poor combustion	Check air supply, calibrate oil control

Distributed by
Glen Dimplex Australasia Ltd,
38 Harris Road,
P.O. Box 58473, Greenmount,
Auckland, New Zealand.
Phone: (09) 274 8265 Fax: (09) 274 8472
sales@glendimplex.co.nz



THE AUTHENTIC ORIGINAL

esse Firemaster, PO Box 4, Barnoldswick, Lancashire, BB18 6BN
Tel: 01282 813 235 Fax: 01282 816 876 www.esse.com